

EXHAUST FAN INFORMATION - Job#3831774

FAN UNIT NO.	TAG	FAN UNIT MODEL #	CFM	ESP.	RPM	H.P.	B.H.P.	Ø	VOLT	FLA	DISCHARGE VELOCITY	WEIGHT (LBS.)	SONES
1		EABDU18	3225	1.250	1189	2.000	1.2800	3	208	5.9	745 FPM	184	15
2		EABDU18	3225	1.250	1189	2.000	1.2800	3	208	5.9	745 FPM	184	15
3		EABDCR7	450	0.250	1128	0.250	0.0850	1	115	4.8		90	6.2

MUA FAN INFORMATION - Job#3831774

FAN UNIT NO.	TAG	FAN UNIT MODEL #	BLOWER	HOUSING	MIN CFM	DESIGN CFM	ESP.	RPM	H.P.	B.H.P.	Ø	VOLT	FLA	WEIGHT (LBS.)	SONES	BURNER EFFICIENCY(%)
4		EA3-D.500-G18	G18-PB	A3-D.500	3500	5160	0.750	761	3.000	2,2740	3	208	8.7	992	12.8	92

GAS FIRED MAKE-UP AIR UNIT(S)

FAN UNIT NO.	TAG	INPUT BTUs	OUTPUT BTUs	TEMP. RISE	REQUIRED INPUT GAS PRESSURE	GAS TYPE
4		562385	517394	100 deg F	7 in. w.c. - 14 in. w.c.	Natural

FAN OPTIONS

FAN UNIT NO.	TAG	OPTION (Qty. - Descr.)
1		1 - Grease Box 1 - Upblast Fan Wheel Access Port
2		1 - Grease Box 1 - Upblast Fan Wheel Access Port
3		1 - I 15-BDD Damper
4		1 - AC Interlock Relay - 24VAC Coil 1 - Low Fire Start 1 - Inlet Pressure Gauge, 0-35" 1 - Manifold Pressure Gauge, -5 to 15" wc 1 - Motorized Backdraft Damper for A3-D Housing 1 - VAV Package w/ Manual Control (VFD Included)

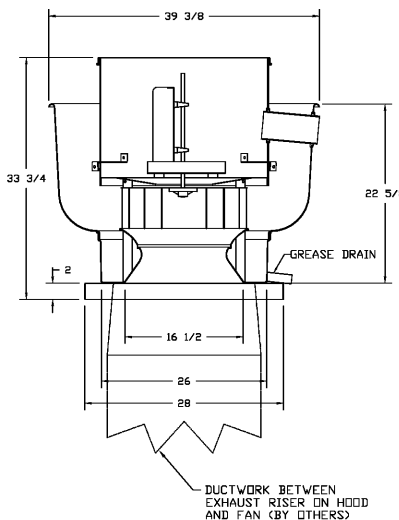
FAN ACCESSORIES

FAN UNIT NO.	TAG	EXHAUST				SUPPLY					
		GREASE CUP	GRAVITY DAMPER	WALL MOUNT	SIDE DISCHARGE	GRAVITY DAMPER	MOTORIZED DAMPER	WALL MOUNT			
1			YES								
2		YES									
3			YES								
4									YES		

CURB ASSEMBLIES

NO.	DN FAN	WEIGHT	ITEM	SIZE
1	# 1	34 LBS	Curb	26.500"W x 26.500"L x 24.000"H Vented Hinged
2	# 2	34 LBS	Curb	26.500"W x 26.500"L x 24.000"H Vented Hinged
3	# 3	18 LBS	Curb	19.500"W x 19.500"L x 12.000"H
4	# 4	82 LBS	Curb	35.000"W x 84.000"L x 20.000"H Insulated

FANS #1, #2 - EABDU18 EXHAUST FAN



FEATURES:

- ROOF MOUNTED FANS
- RESTAURANT MODEL
- UL705 AND UL762 AND ULC-S645
- AMCA SOUND AND AIR CERTIFIED
- WIRING FROM MOTOR TO DISCONNECT SWITCH
- WEATHERPROOF DISCONNECT
- HIGH HEAT OPERATION 300°F (149°C)
- GREASE CLASSIFICATION TESTING

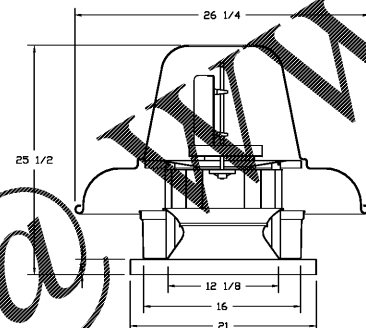
NORMAL TEMPERATURE TEST
EXHAUST FAN MUST OPERATE CONTINUOUSLY WHILE EXHAUSTING AIR AT 300°F (149°C) UNTIL ALL FAN PARTS HAVE REACHED THERMAL EQUILIBRIUM, AND WITHOUT ANY DETERIORATING EFFECTS TO THE FAN WHICH WOULD CAUSE UNSAFE OPERATION.

ABNORMAL FLARE-UP TEST
EXHAUST FAN MUST OPERATE CONTINUOUSLY WHILE EXHAUSTING BURNING GREASE VAPORS AT 600°F (316°C) FOR A PERIOD OF 15 MINUTES WITHOUT THE FAN BECOMING DAMAGED TO ANY EXTENT THAT COULD CAUSE AN UNSAFE CONDITION.

OPTIONS

- GREASE BOX.
- UPBLAST FAN WHEEL ACCESS PORT.

FAN #3 EABDCR7 - EXHAUST FAN

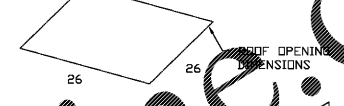
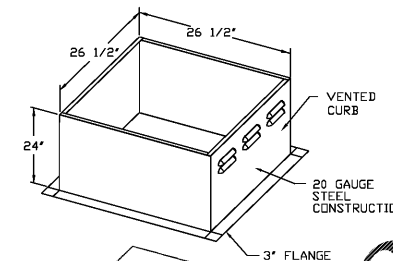


FEATURES:

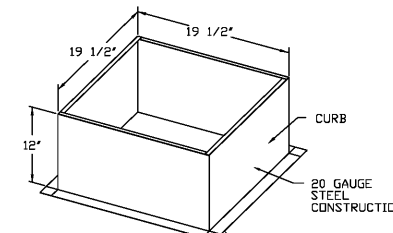
- ROOF MOUNTED FANS
- UL705
- AMCA SOUND AND AIR CERTIFIED
- WIRING FROM MOTOR TO DISCONNECT SWITCH
- DISCONNECT SWITCH
- STANDARD BIRD SCREEN

OPTIONS

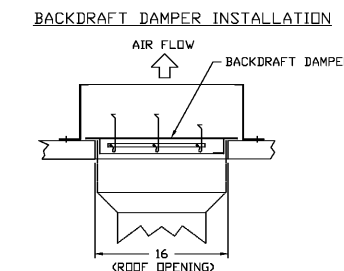
- I 15-BDD DAMPER.



PITCHED CURBS ARE AVAILABLE FOR PITCHED ROOFS.
SPECIFY PITCH.
EXAMPLE: 7/12 PITCH = 30° SLOPE



PITCHED CURBS ARE AVAILABLE FOR PITCHED ROOFS.
SPECIFY PITCH.
EXAMPLE: 7/12 PITCH = 30° SLOPE



REVISIONS

NO.	DESCRIPTION	DATE

CAPTIVE
Southern California Office
3002 Dow Ave., Suite 410, Turin, CA 92780 PHONE: (714) 987-1500 FAX: (919) 227-5975 EMAIL: rgs@captiveline.com

Panda Express - Marietta GA (SA-20-07060)
3460 SANDY PINES RD, NE SUITE 210
MARIETTA, GA, 30066

DATE: 5/15/2019
DWG.#: 3831774
DRAWN BY: AHJ-B6
SCALE: 3/4" = 1'-0"
MASTER DRAWING

SHEET NO. 3



PANDA RESTAURANT GROUP INC.
1683 Walnut Grove Ave.
Rosemead, California
91770
Telephone: 626.799.9898
Facsimile: 626.372.8288

All ideas, designs, arrangement and plans indicated or represented by this drawing are the property of Panda Express Inc. and were created for use on this specific project. None of these ideas, designs, arrangements or plans may be used by or disclosed to any person, firm, or corporation without the written permission of Panda Express Inc.

ISSUE DATE:

1	05.29.19	ISSUE FOR PERMIT
2	08.05.13	ISSUE FOR BID

DRAWN BY:
PANDA PROJECT # - S4-20-D7060
C&P PROJECT # - 2190238



08.05.2019

PANDA EXPRESS
TRUE WARM AND WELCOME
3460 SANDY PLAINS RD, NE SUITE 210
MARIETTA, GA 30066

M-402
HOOD DETAIL PLAN

Order Plans @ WWW.LDILLINE.COM