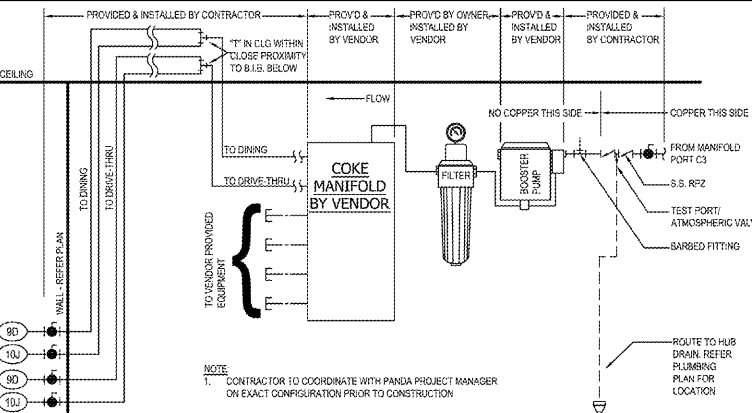


- NOTE:
1. PIPING ARRANGEMENT SHOWN IS SCHEMATIC. ADJUST AS REQUIRED. VERIFY CONNECTION LOCATIONS BEFORE INSTALLING PIPE RUNS. DO NOT PROVIDE TRAP ON UNITS WHICH HAVE AN INTERNAL TRAP.
 2. DRAIN LINES TO BE TYPE L COPPER.
 3. FOR BLOW-THROUGH TYPE EQUIPMENT, ADJUST P-TRAP DEPTH TO 1/2\"/>

NOT USED 20 A.C. UNIT CONDENSATE DRAIN 16

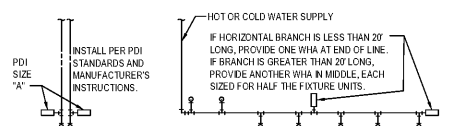
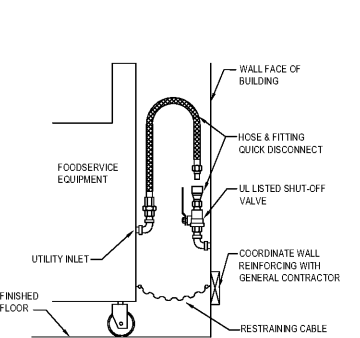
Scale: NO SCALE P-500 Scale: NO SCALE P-500



- NOTE:
1. CONTRACTOR TO COORDINATE WITH PANDA PROJECT MANAGER ON EXACT CONFIGURATION PRIOR TO CONSTRUCTION

BAG-N-BOX DETAIL 15

Scale: NO SCALE P-500



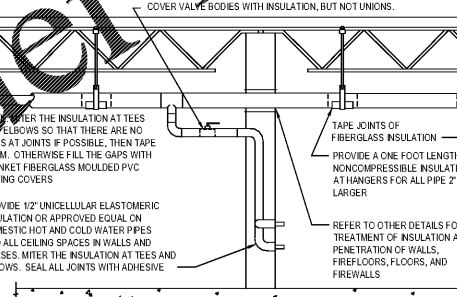
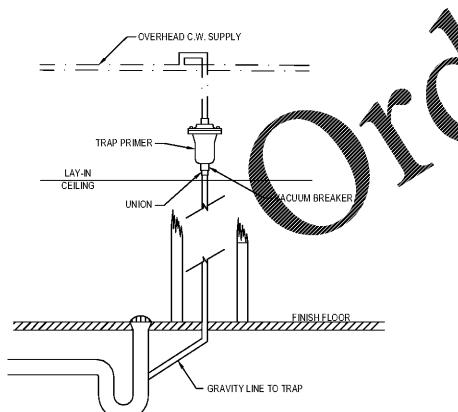
PDI SIZE	PIPE SIZE	FIXTURE UNIT LOAD
A	1/2"	1-11
B	3/4"	12-32
C	1"	33-80
D	1-1/4"	81-115
E	1-1/2"	114-154
F	2"	154-330

FIXTURE UNIT TABULATION	COLD	HOT
VALVE WATER CLOSET	10	-
TANK WATER CLOSET	5	-
URINAL	5	-
LAVATORY/SINK	1.5	1.5
JANITOR'S SINK	3	-
SHOWER/BATH/TUB	-	2

- NOTE:
1. DO NOT PROVIDE AIR CHAMBERS.
 2. PROVIDE WATER HAMMER ARRESTERS BY SIOUX CHIEF DESIGN PRODUCTS, PARTS OR APPROVED EQUIVALENT WITH PISTON AND DRIVING CONSTRUCTION, LISTED PDI # 2015, 2016, 2018, 2019, 2010 AND PDI # A112 26 1M CERTIFICATION.
 3. INSTALL IN HORIZONTAL OR VERTICAL POSITION. NEVER HANG DOWN.
 4. INSTALL IN LINE WITH WATER FLOW. PROTECTION IF POSSIBLE.
 5. SIZE THE UNITS AS SHOWN ON THE TABLES AND REFER TO THE TABLES ABOVE.

QUICK DISCONNECT 18 WATER HAMMER ARRESTERS 14

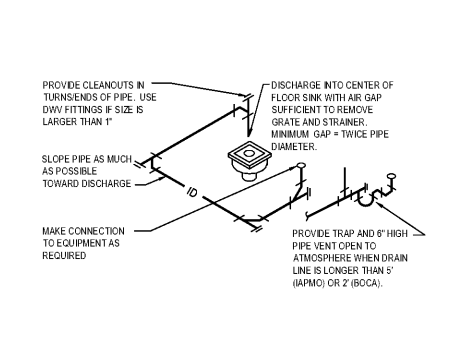
Scale: NO SCALE P-500 Scale: NO SCALE P-500



- NOTE:
1. PROVIDE 1/2\"/>

PREP. AREA TRAP PRIMER DETAIL 17 PIPE INSULATION 13

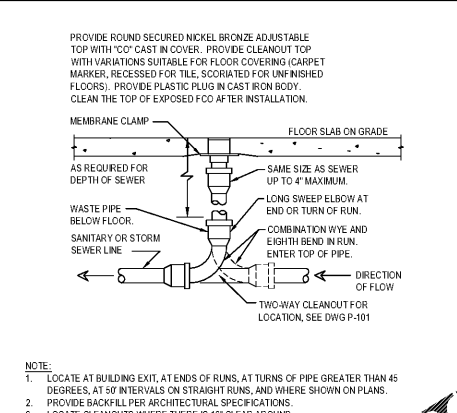
Scale: NO SCALE P-500 Scale: NO SCALE P-500



- NOTE:
1. ROUTE PIPE INCONSPICUOUSLY AND UNOBTRUSIVELY.
 2. HANG PIPE AS REQUIRED.
 3. DO NOT INSULATE INDIRECT DRAIN PIPE WHEN INSTALLED IN FOOD SERVICE FACILITY. REFER TO LOCAL CODES FOR FURTHER INFORMATION.

INDIRECT DRAIN 12

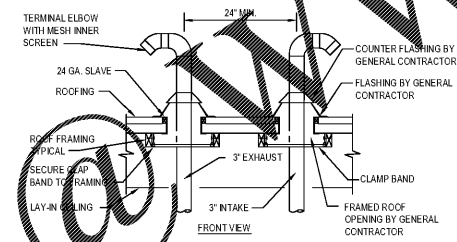
Scale: NO SCALE P-500



- NOTE:
1. LOCATE AT BUILDING EXIT, AT ENDS OF RUNS, AT TURNS OF PIPE GREATER THAN 45 DEGREES, AT 5' INTERVALS ON STRAIGHT RUNS, AND WHERE SHOWN ON PLANS.
 2. PROVIDE BACKFILL PER ARCHITECTURAL SPECIFICATIONS.
 3. LOCATE CLEANOUTS WHERE THERE IS 18\"/>

FLOOR CLEANOUT 11

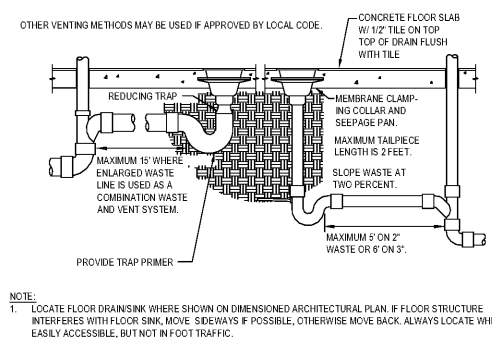
Scale: NO SCALE P-500



- NOTE:
1. INSTALLATION SHALL BE PER MANUFACTURER'S INSTALLATION GUIDELINES AND INSTRUCTIONS.
 2. THE INTAKE AND VENT TERMINALS MUST BE ORIENTED FACING DOWNWARD IN THE SAME DIRECTION, AND USING THE SAME PROCEDURE.
 3. LAYOUT OF VENT SYSTEM TO USE A MINIMUM OF VENT PIPE AND ELBOWS. MAXIMUM EQUIVALENT LENGTH OF 3\"/>

WH DIRECT VENT DETAIL 10

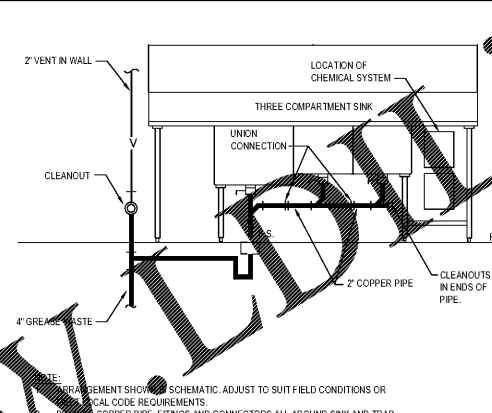
Scale: NO SCALE P-500



- NOTE:
1. LOCATE FLOOR DRAIN/SINK WHERE SHOWN ON DIMENSIONED ARCHITECTURAL PLAN. IF FLOOR STRUCTURE INTERFERES WITH FLOOR SINK, MOVE SIDEWAYS IF POSSIBLE, OTHERWISE MOVE BACK. ALWAYS LOCATE WHERE EASILY ACCESSIBLE, BUT NOT IN FOOT TRAFFIC.
 2. IF SITUATION IS FLOOR SLAB ON GRADE, PROVIDE BACKFILL PER SPECIFICATIONS. IF CONCRETE FLOOR IS NOT EXISTING, SET DRAIN IN PLACE AND POUR AROUND IT, OR BLOCK OUT AND POUR IN LATER.
 3. IF CONCRETE FLOOR IS EXISTING, SAW CUT OR CORE DRILL IT. SET DRAIN BODY IN PLACE AND POUR AROUND IT.
 4. TOP OF THE FLOOR SINK/ DRAIN SHOULD BE SET AT THE SAME ELEVATION AS THE SLAB AND "DISHED OUT\"/>

FLOOR DRAIN/SINK 8

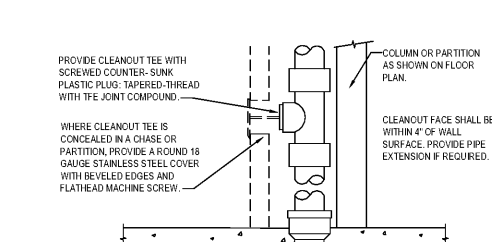
Scale: NO SCALE P-500



- NOTE:
1. REFER TO ARCHITECTURAL SCHEMATIC. ADJUST TO SUIT FIELD CONDITIONS OR LOCAL CODE REQUIREMENTS.
 2. PROVIDE COPPER PIPE, FITTINGS AND CONNECTORS ALL AROUND SINK AND TRAP. CONNECT TRAP FROM CENTER COMPARTMENT.

UTILITY/SINK 7

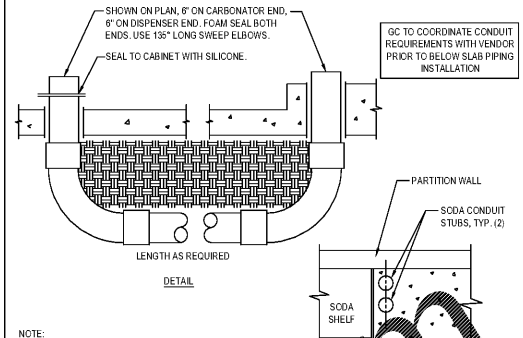
Scale: NO SCALE P-500



- NOTE:
1. PROVIDE WCO WHERE SHOWN ON PLAN. LOCATE ABOVE FIXTURE FLOOR RIM.
 2. CONSULT LOCAL CODES FOR OTHER WCO REQUIREMENTS.

WALL CLEANOUT 6

Scale: NO SCALE P-500



- NOTE:
1. USE FOUR INCH PVC, FITTINGS AND COUPLINGS.
 2. USE MINIMUM QUANTITY OF COUPLINGS REQUIRED, SEALED WATER-TIGHT.
 3. USE LONG SWEEP ELBOWS AT BOTH ENDS, MINIMUM TWENTY FOUR INCH RADIUS.
 4. AVOID ELBOWS IN HORIZONTAL RUN IF AT ALL POSSIBLE. DO NOT USE 45\"/>

BELOW-GROUND SODA CONDUIT 4

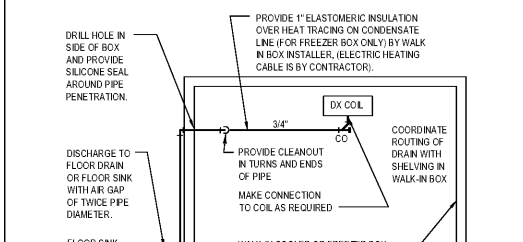
Scale: NO SCALE P-500



- NOTE:
1. INSTALLATION SHALL BE PER MANUFACTURER'S INSTALLATION GUIDELINES AND INSTRUCTIONS.
 2. THE INTAKE AND VENT TERMINALS MUST BE ORIENTED FACING DOWNWARD IN THE SAME DIRECTION, AND USING THE SAME PROCEDURE.
 3. LAYOUT OF VENT SYSTEM TO USE A MINIMUM OF VENT PIPE AND ELBOWS. MAXIMUM EQUIVALENT LENGTH OF 3\"/>

UTILITY/SINK 7

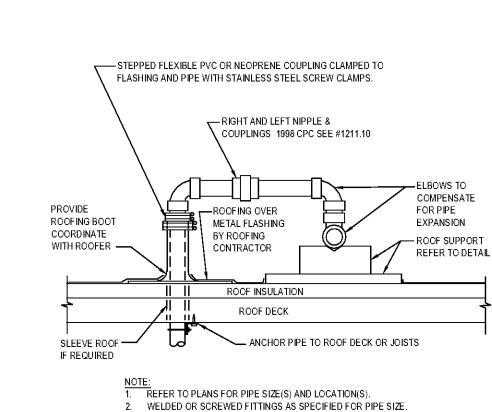
Scale: NO SCALE P-500



- NOTE:
1. INSTALL PIPE A MINIMUM OF 70\"/>

WALK - IN BOX CONDENSATE DRAIN 2

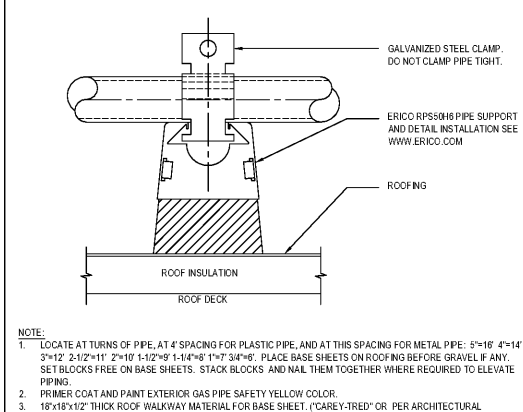
Scale: NO SCALE P-500



- NOTE:
1. REFER TO PLANS FOR PIPE SIZE(S) AND LOCATION(S).
 2. WELDED OR SCREWED FITTINGS AS SPECIFIED FOR PIPE SIZE.
 3. LOCATE PENETRATION MINIMUM 18\"/>

GAS PIPE ROOF PENETRATION 5

Scale: NO SCALE P-500



- NOTE:
1. LOCATE AT TURNS OF PIPE, AT 4\"/>

ROOF PIPE SUPPORT 1

Scale: NO SCALE P-500



PANDA RESTAURANT GROUP INC.
1683 Walnut Grove Ave.
Rosemead, California
91770
Telephone: 626.799.9898
Facsimile: 626.372.8288

All ideas, designs, arrangement and plans indicated or represented by this drawing are the property of Panda Express Inc. and were created for use on this specific project. None of these ideas, designs, arrangements or plans may be used by or disclosed to any person, firm, or corporation without the written permission of Panda Express Inc.

REVISIONS:

NO.	DESCRIPTION

ISSUE DATE:

- 1 05.29.19 ISSUE FOR PERMIT
- 2 08.05.13 ISSUE FOR BID

DRAWN BY:
PANDA PROJECT # - S4-20-D7060
C&P PROJECT # - 2190238



08.05.2019

PANDA EXPRESS
TRUE WARM AND WELCOME
3460 SANDY PLAINS RD, NE SUITE 210
MARIETTA, GA 30066

P-500

PLUMBING DETAILS