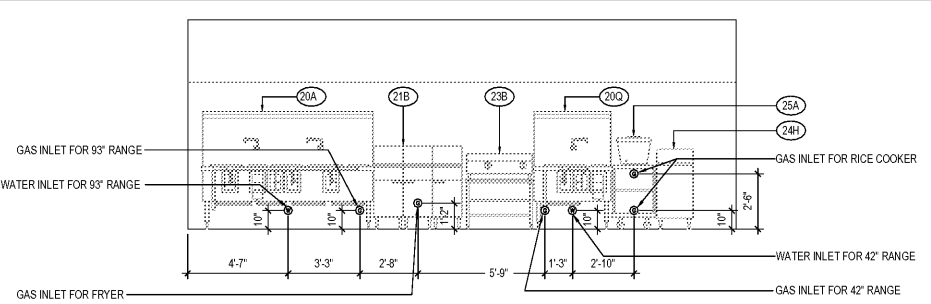
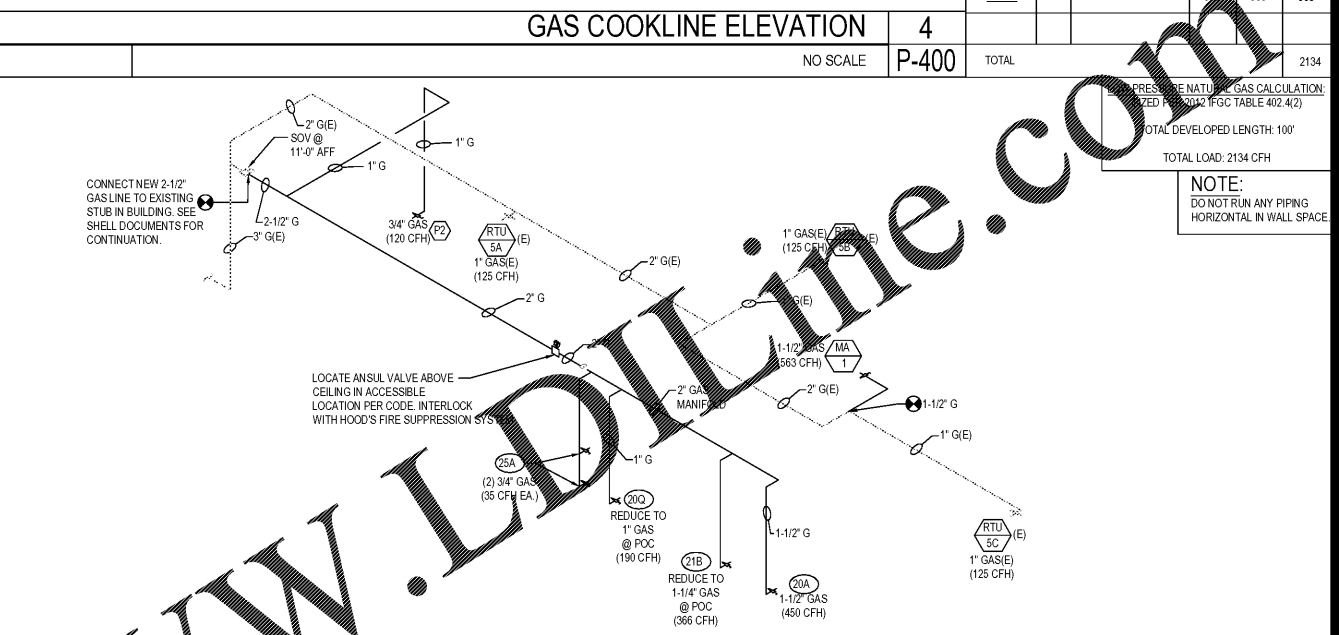


WATER RISER DIAGRAM 11  
NO SCALE P-400

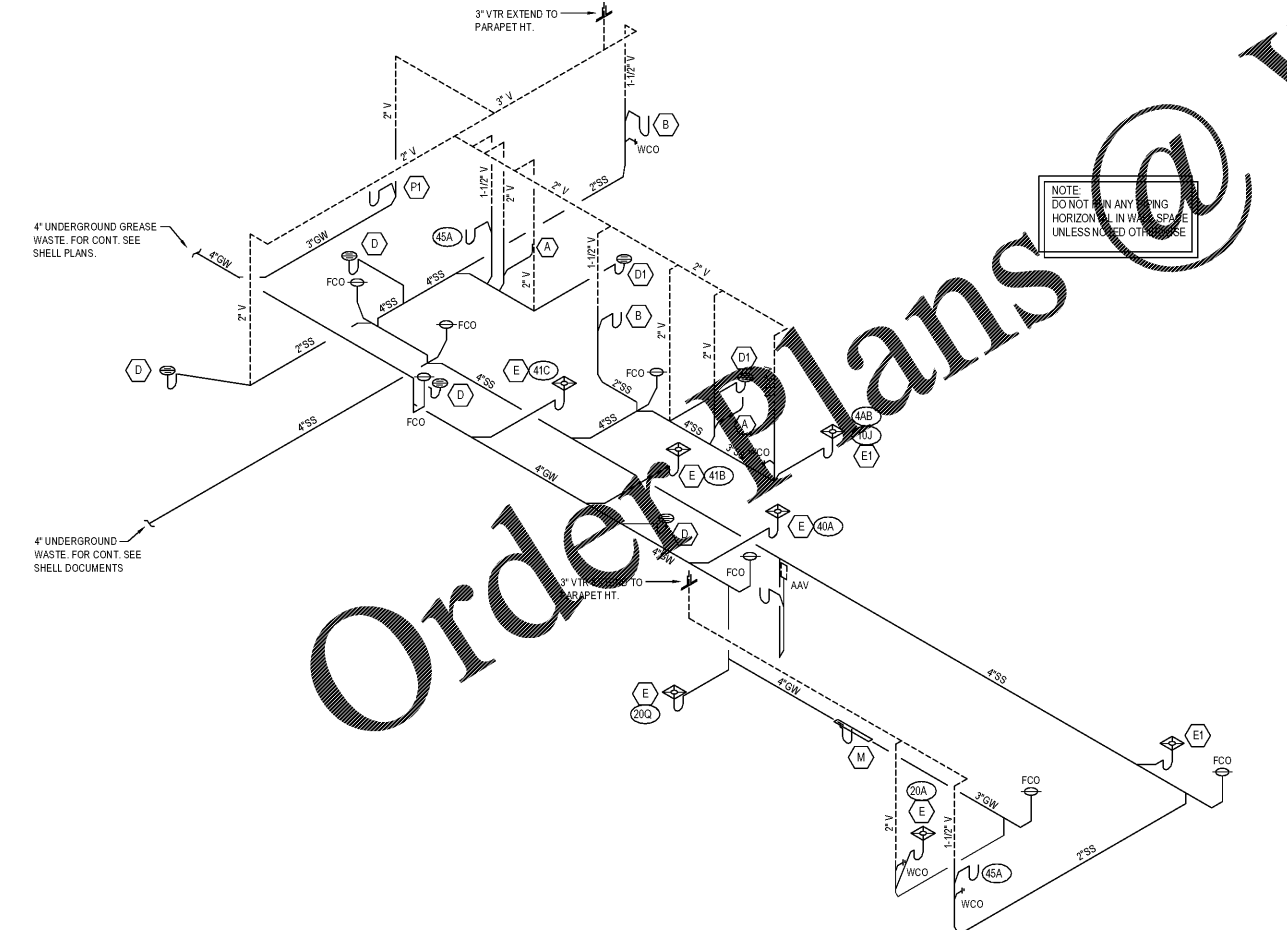


GAS COOKLINE ELEVATION 4  
NO SCALE P-400

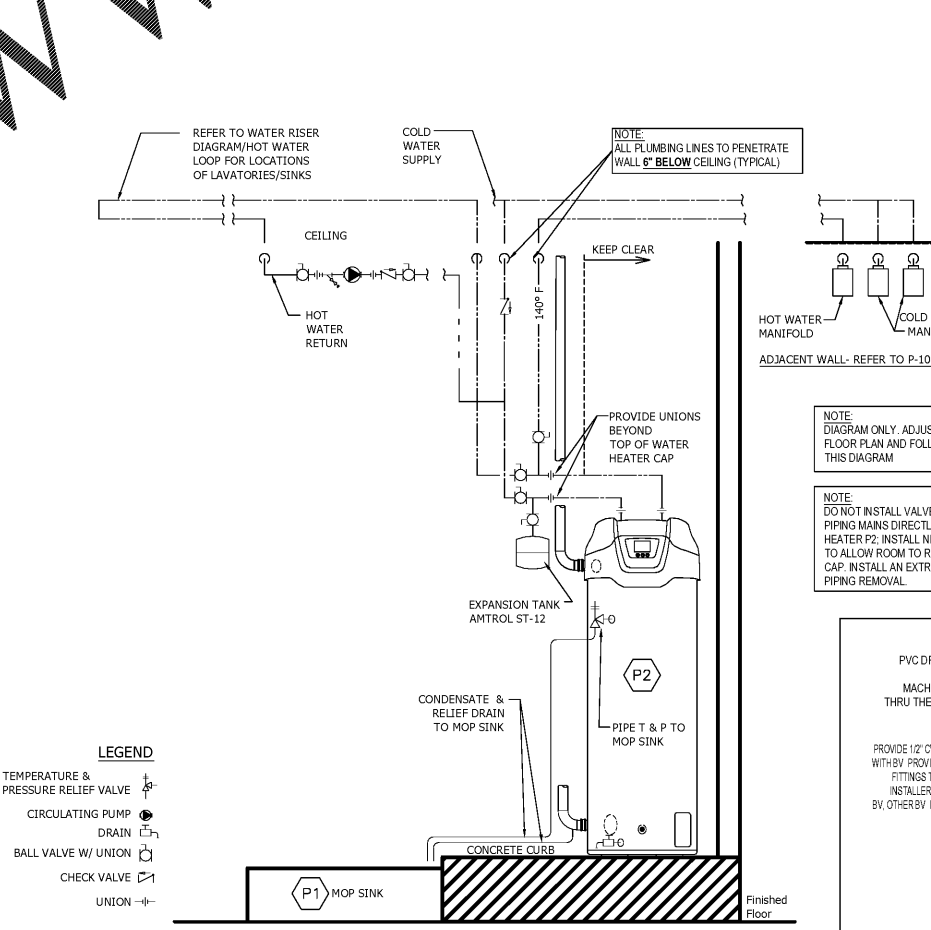
GAS EQUIPMENT SCHEDULE					
ITEM	QTY	EQUIPMENT	CFH		
			EACH	EACH	TOTAL
P2	1	WATER HEATER	120	120	120
20A	1	CHINESE RANGE	450	450	450
20Q	1	CHINESE RANGE	190	190	190
21B	3	DEEP FRYER	122	122	366
25A	2	RICE COOKER	35	35	70
RTU-5(A-C)	3	AIR CONDITIONER	125	125	375
MAU-1	1	MAKE-UP AIR	563	563	563
TOTAL					2134



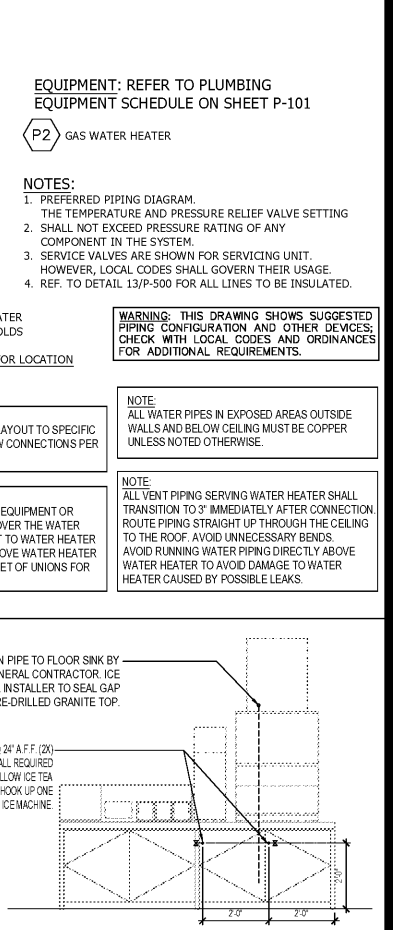
GAS RISER DIAGRAM 3  
NO SCALE P-400



WASTE AND VENT RISER DIAGRAM 9  
NO SCALE P-400



HOT WATER SYSTEM DIAGRAM 5  
NO SCALE P-400



DRINK STATION PLUMBING 1  
NO SCALE P-400



PANDA RESTAURANT GROUP INC.  
1683 Walnut Grove Ave.  
Rosemead, California  
91770  
Telephone: 626.799.9898  
Facsimile: 626.372.8288

NOTE:  
DO NOT RUN ANY PIPING  
HORIZONTAL IN WALL SPACE

REVISIONS:

NO.	DATE	DESCRIPTION
1	05.29.19	ISSUE FOR PERMIT
2	08.05.13	ISSUE FOR BID

ISSUE DATE:  
1 05.29.19 ISSUE FOR PERMIT  
2 08.05.13 ISSUE FOR BID

DRAWN BY:  
PANDA PROJECT # - S4-20-D7060  
C&P PROJECT # - 2190238

**Cuhaci & Peterson**  
Architects Engineers Planners  
1925 Prospect Ave. Orlando, FL 32814  
P (407) 661-9100  
F (407) 661-9101  
www.c&p.com  
Florida Certificate # CA00238

08.05.2019

**PANDA EXPRESS**  
TRUE WARM AND WELCOME  
3460 SANDY PLAINS RD, NE SUITE 210  
MARIETTA, GA 30066

**P-400**

WATER, GAS, WASTE  
& VENT RISER DIAGRAMS