

STANDARD ACCESSIBLE MOUNTING HEIGHTS AND CLEARANCES

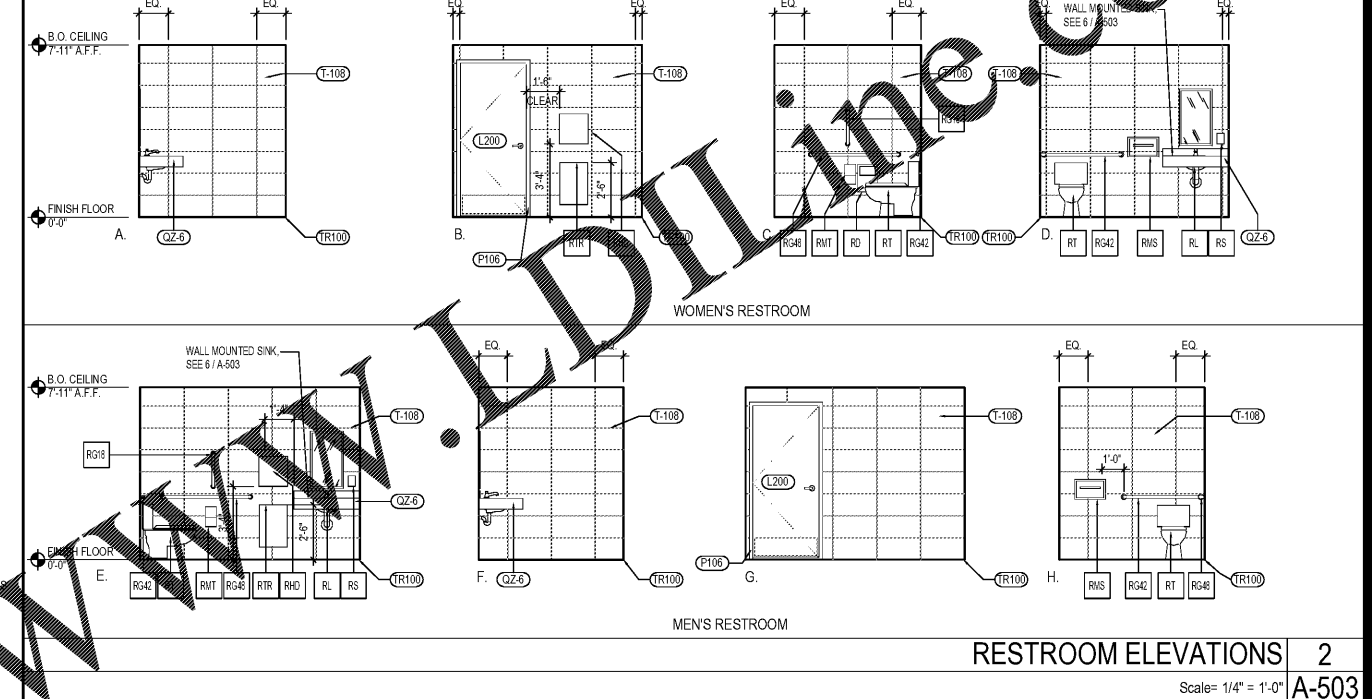
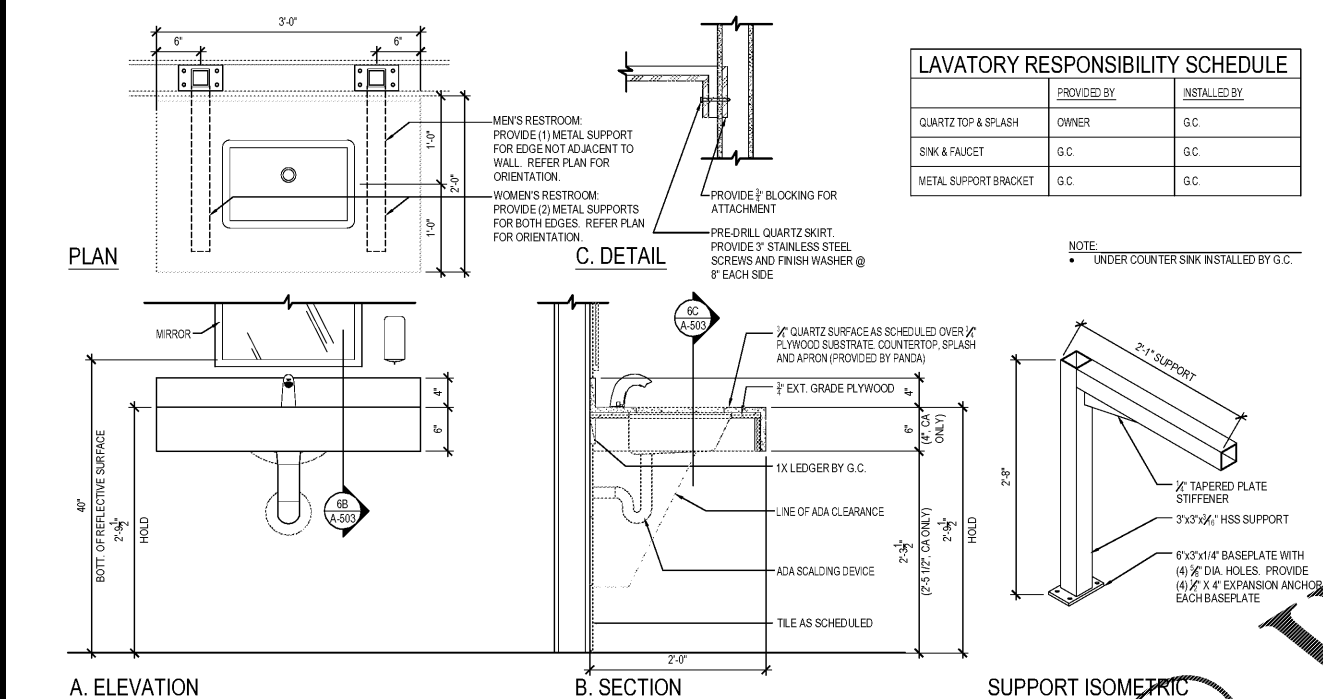
4

ADA TACTILE SIGN

3

Scale= NTS A-503

Scale= 1" = 1'-0" A-503



RESTROOM ELEVATIONS

2

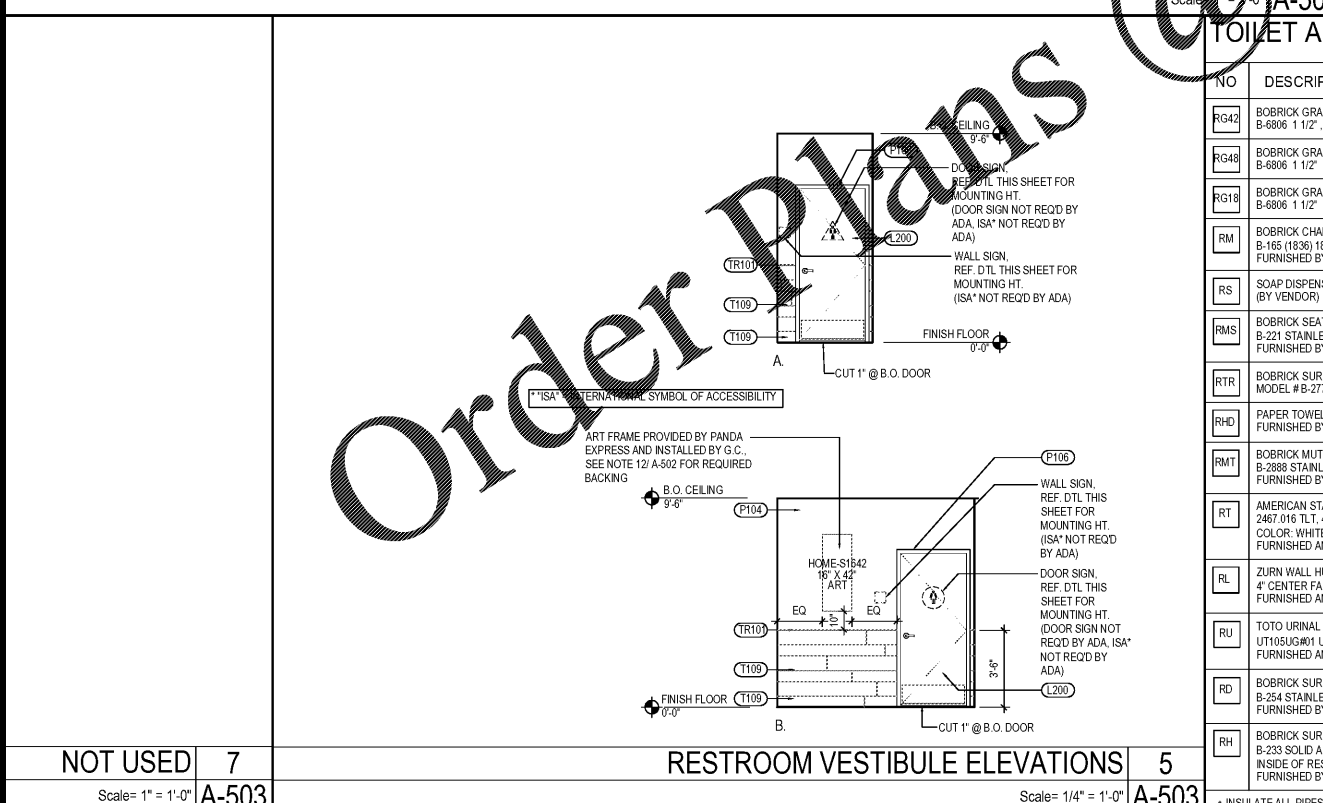
Scale= 1/4" = 1'-0" A-503

SINK DETAILS

6

TOILET ACCESSORY SCHEDULE

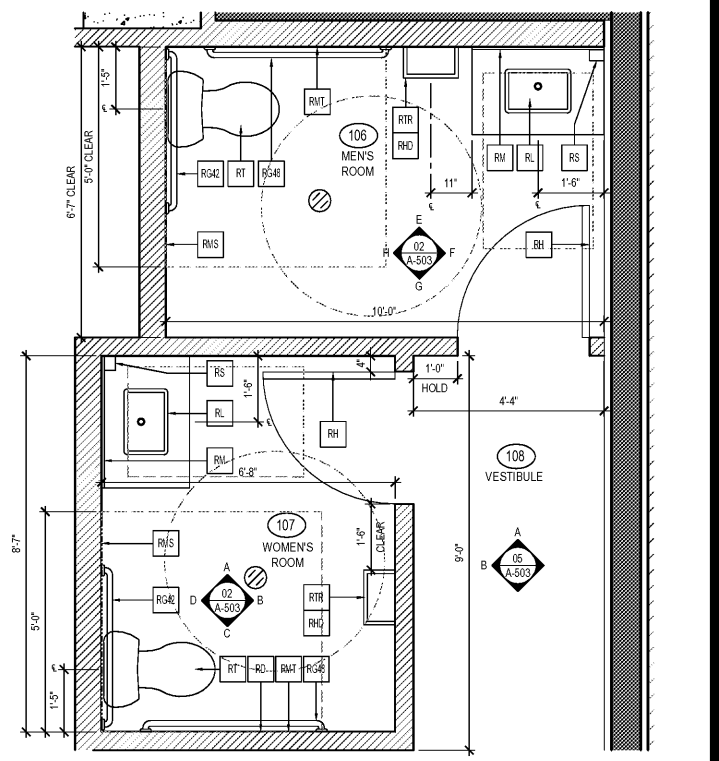
NO	DESCRIPTION
RG42	BOBRICK GRAB BAR, 42" LONG B-6806 1 1/2" SATIN FINISH; FURNISHED BY LOCKNET, INSTALLED BY G.C.
RG48	BOBRICK GRAB BAR, 48" LONG B-6806 1 1/2" SATIN FINISH; FURNISHED BY LOCKNET, INSTALLED BY G.C.
RG18	BOBRICK GRAB BAR, 18" LONG B-6806 1 1/2" SATIN FINISH; FURNISHED BY LOCKNET, INSTALLED BY G.C.
RM	BOBRICK CHANNEL FRAME MIRROR B-165 (1836) 18"X36" STAINLESS STEEL CHANNEL FRAME FURNISHED BY LOCKNET, INSTALLED BY G.C.
RS	SOAP DISPENSER (BY VENDOR)
RMS	BOBRICK SEAT COVER DISPENSER B-221 STAINLESS STEEL, SATIN FINISH FURNISHED BY LOCKNET, INSTALLED BY G.C.
RTR	BOBRICK SURFACE MOUNTED TRASH RECEPTACLE MODEL # B-277; FURNISHED BY LOCKNET, INSTALLED BY G.C.
RHD	PAPER TOWEL DISPENSER FURNISHED BY PANDA EXPRESS, INSTALLED BY G.C.
RMT	BOBRICK MULTI-ROLL TOILET TISSUE DISPENSER B-2888 STAINLESS STEEL, SATIN FINISH FURNISHED BY LOCKNET, INSTALLED BY G.C.
RT	AMERICAN STANDARD CADET RIGHT HEIGHT ELONGATED TOILET 2467 016 TL, 4142 600 TANK, AMERICAN STANDARD #6321.110 SEAT, COLOR: WHITE, TRIP TO BE ON OPEN SIDE. FURNISHED AND INSTALLED BY G.C.
RL	ZURN WALL HUNG LAVATORY Z5344, 20" X 18" VITREOUS CHINA, WITH 4" CENTER FAUCET HOLES & ZURN Z-1231 CONCEALED ARM CARRIER FURNISHED AND INSTALLED BY G.C.
RU	TOTO URINAL UT105UG#01 URINAL, TEU1UN12#CP ECO POWER GPF SENSOR FLUSH VLV FURNISHED AND INSTALLED BY G.C.
RD	BOBRICK SURFACE-MOUNTED SANITARY NAPKIN DISPOSAL B-254 STAINLESS STEEL, SATIN FINISH FURNISHED BY LOCKNET, INSTALLED BY G.C.
RH	BOBRICK SURFACE-MOUNTED CLOTHES HOOK AND BUMPER B-233 SOLID ALUMINUM CASTING, MATTE FINISH, INSIDE OF RESTROOM DOORS FURNISHED BY LOCKNET, INSTALLED BY G.C.



RESTROOM VESTIBULE ELEVATIONS

5

Scale= 1/4" = 1'-0" A-503



ENLARGED RESTROOM PLANS

1

Scale= 1/2" = 1'-0" A-503

NOT USED

7

Scale= 1" = 1'-0" A-503



PANDA RESTAURANT GROUP INC.
1683 Walnut Grove Ave.
Rosemead, California
91770
Telephone: 626.799.9898
Facsimile: 626.372.8288

All ideas, designs, arrangement and plans indicated or represented by this drawing are the property of Panda Express Inc. and were created for use on this specific project. None of these ideas, designs, arrangements or plans may be used by or disclosed to any person, firm, or corporation without the written permission of Panda Express Inc.

REVISIONS:

NO.	DATE	DESCRIPTION
1	05.29.19	ISSUE FOR PERMIT
2	08.08.19	ISSUE FOR BID

ISSUE DATE:

1	05.29.19	ISSUE FOR PERMIT
2	08.08.19	ISSUE FOR BID

DRAWN BY: LJD

PANDA PROJECT # - S4-20-D7060
C&P PROJECT # - 2190238



1925 Prospect Ave. Orlando, FL 32814
P (407) 661-9100
F (407) 661-9101
mmp.com
Florida Certified Professional Engineer

08.08.2019



PANDA EXPRESS

TRUE WARM AND WELCOME
3460 SANDY PLAINS RD, NE SUITE 210
MARIETTA, GA 30066

A-503

ENLARGED RESTROOM PLANS AND ELEVATIONS