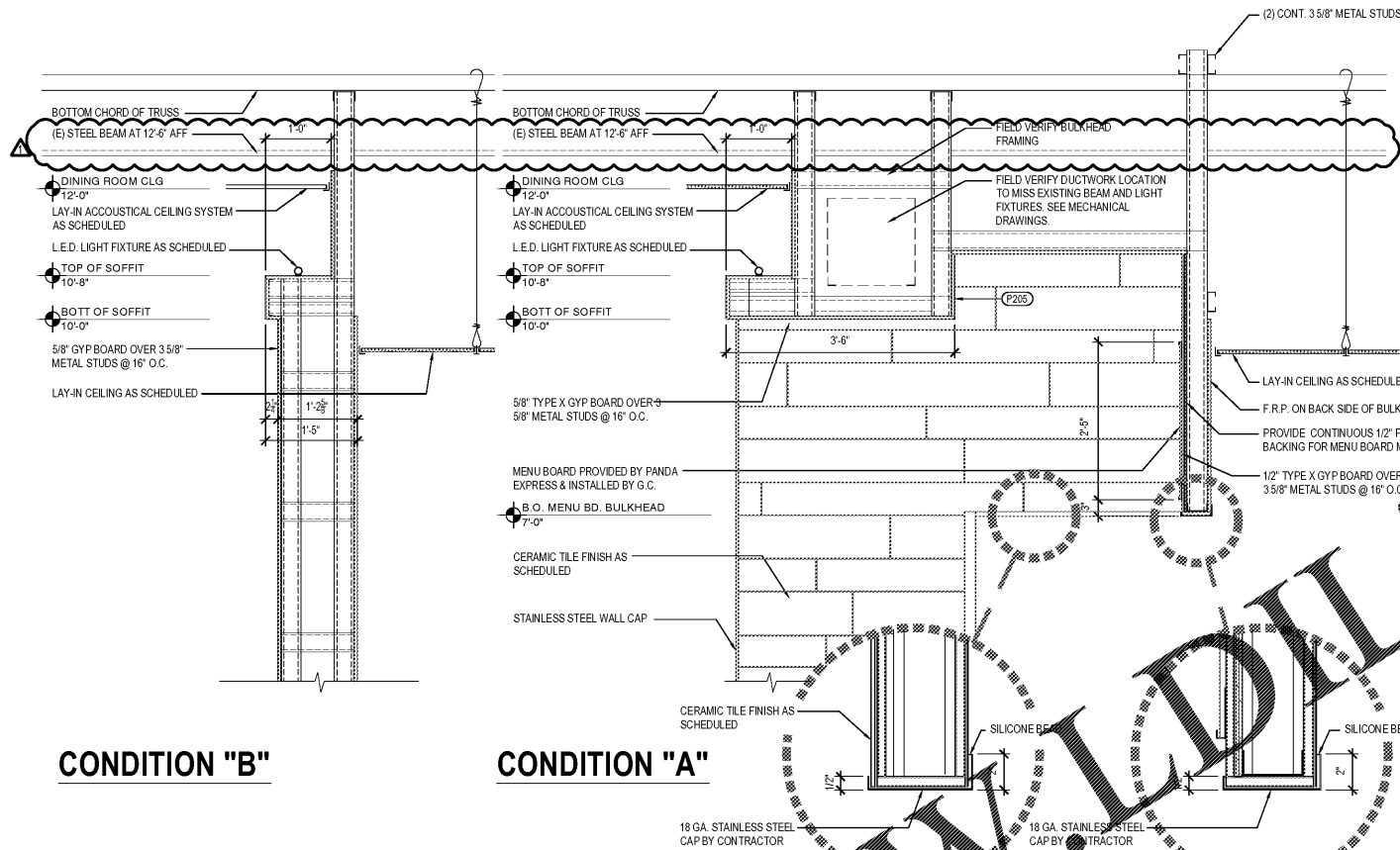


NOT USED 11
Scale= 1 1/2" = 1'-0" A-402

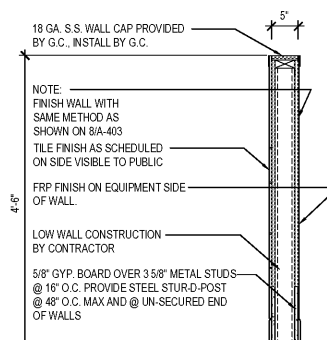


CONDITION "B"

CONDITION "A"

SERVICE COUNTER SOFFIT DETAILS 8

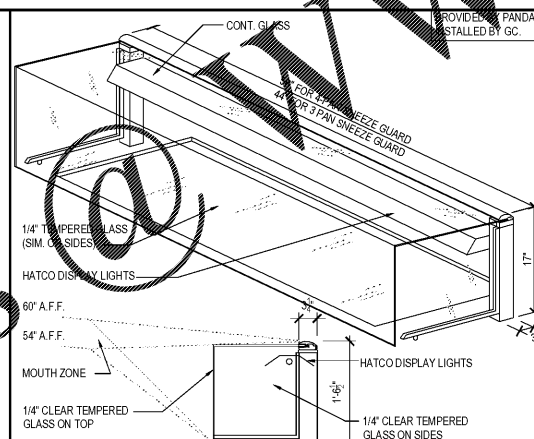
Scale= 3/4" = 1'-0" A-402



LOW WALL DETAIL 2

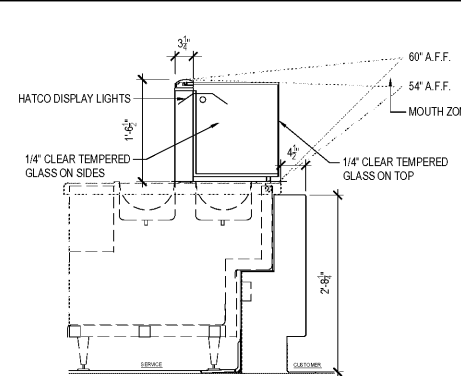
Scale= 3/4" = 1'-0" A-402

NOT USED 10
Scale= 1 1/2" = 1'-0" A-402



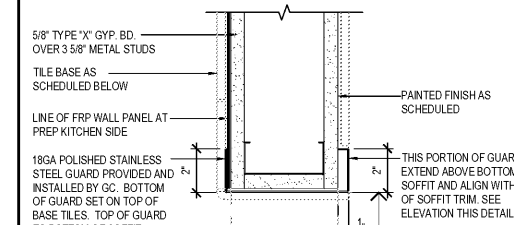
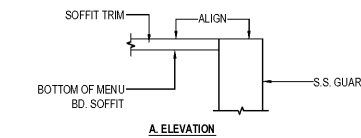
SNEEZE GUARD DETAIL 6

Scale= NTS A-402

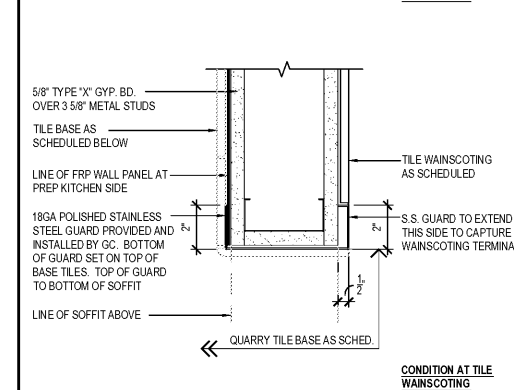


SNEEZE GUARD DETAIL 5

Scale= NTS A-402



CORNER GUARD DETAIL 1



CORNER GUARD DETAIL 1

Scale= 3" = 1'-0" A-402

NOT USED 9
Scale= 3/4" = 1'-0" A-402

NOT USED 9
Scale= 3/4" = 1'-0" A-402

NOT USED 4
Scale= 1 1/2" = 1'-0" A-402

NOT USED 3
Scale= 1 1/2" = 1'-0" A-402

Order Plans



PANDA RESTAURANT GROUP INC.
1683 Walnut Grove Ave.
Rosemead, California
91770
Telephone: 626.799.9898
Facsimile: 626.372.8288

All ideas, designs, arrangement and plans indicated or represented by this drawing are the property of Panda Express Inc. and were created for use on this specific project. None of these ideas, designs, arrangements or plans may be used by or disclosed to any person, firm, or corporation without the written permission of Panda Express Inc.

REVISIONS:
1 08.08.19 ISSUE FOR BID

ISSUE DATE:
1 05.29.19 ISSUE FOR PERMIT
2 08.08.19 ISSUE FOR BID

DRAWN BY: ALV, JDV

PANDA PROJECT # - S4-20-D7060
C&P PROJECT # - 2190238



08.08.2019



PANDA EXPRESS
TRUE WARM AND WELCOME
3460 SANDY PLAINS RD, NE SUITE 210
MARIETTA, GA 30066

A-402

ARCHITECTURAL DETAILS