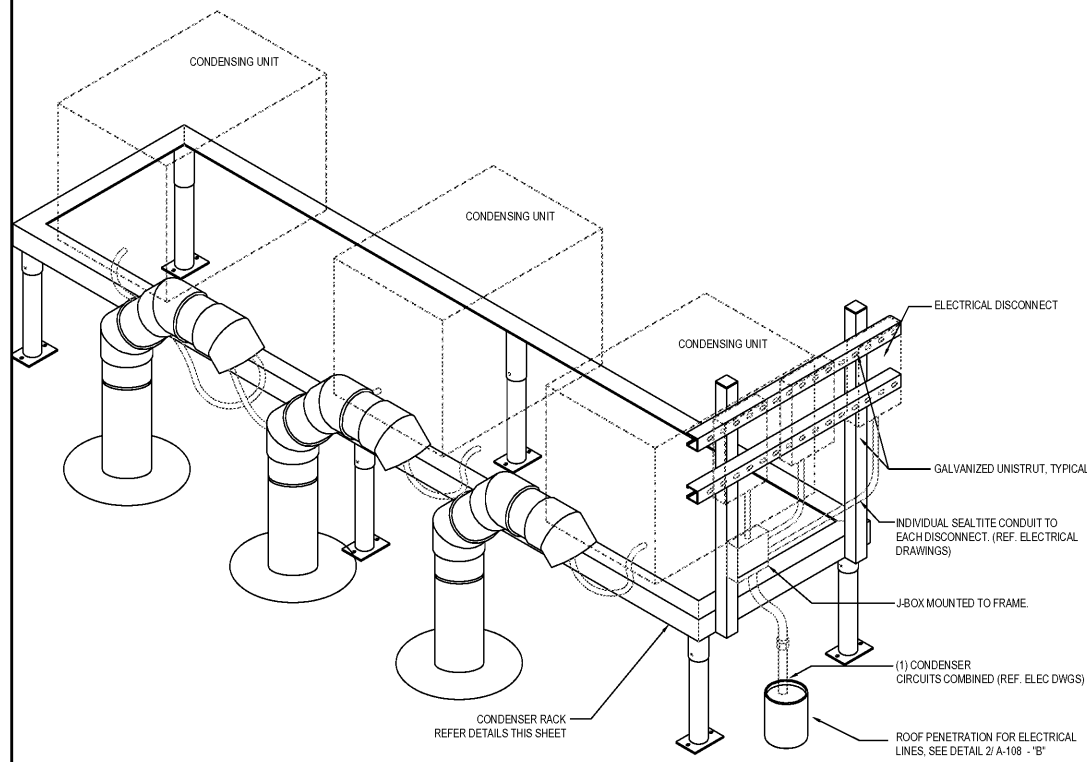
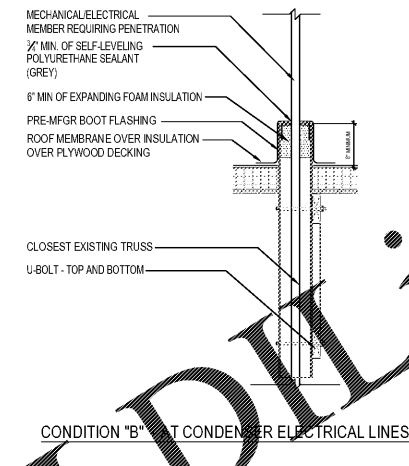


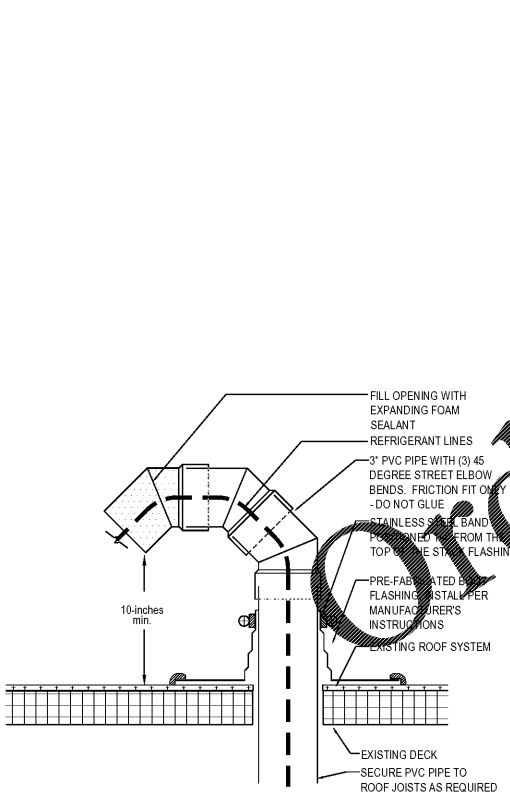
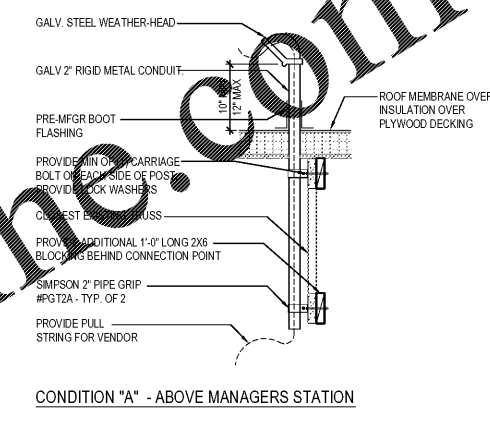
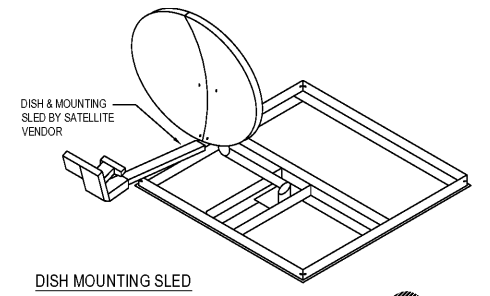
ROOF EXHAUST FAN 5  
Scale= 1/4" = 1'-0" A-108



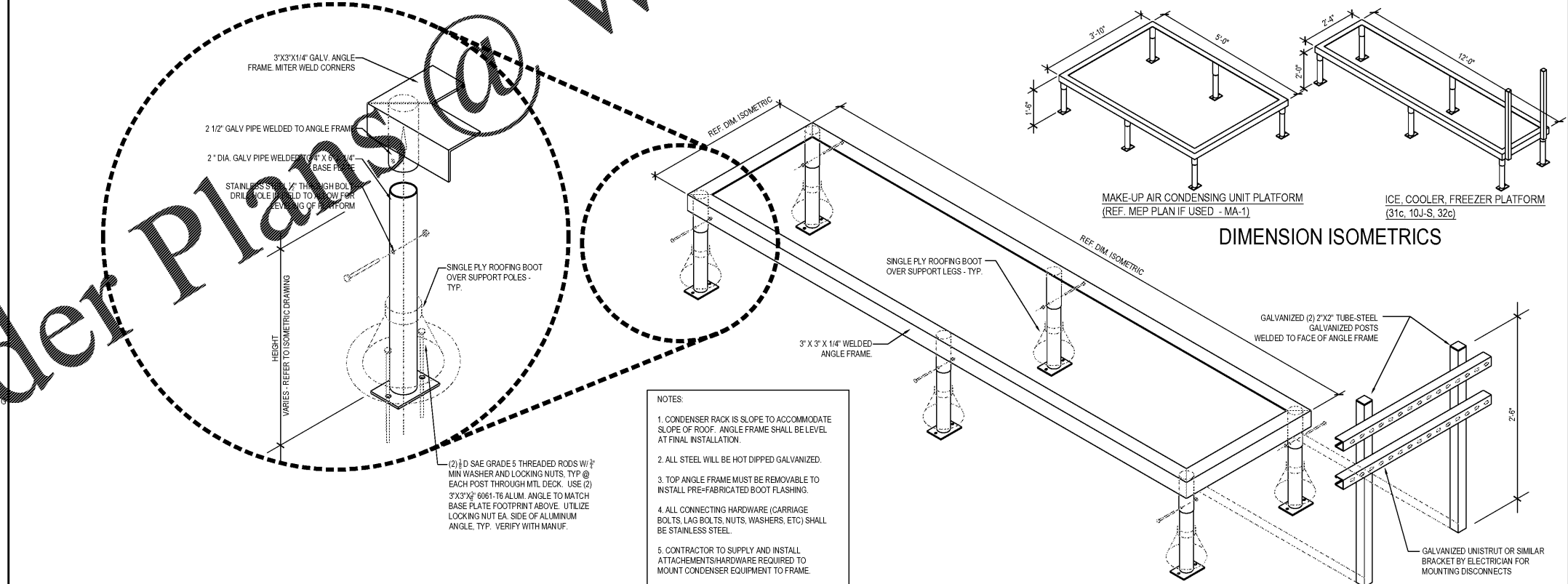
CONDENSER RACK ISOMETRIC 3  
Scale= 3/4" = 1'-0" A-108



ROOF PENETRATION DETAIL AT REF. / ELEC. LINES AND SATELLITE DISH 2  
Scale= 3/4" = 1'-0" A-108



PVC ROOF PENETRATION 4  
Scale= 1/2" = 1'-0" A-108



- NOTES:
- CONDENSER RACK IS SLOPE TO ACCOMMODATE SLOPE OF ROOF. ANGLE FRAME SHALL BE LEVEL AT FINAL INSTALLATION.
  - ALL STEEL WILL BE HOT DIPPED GALVANIZED.
  - TOP ANGLE FRAME MUST BE REMOVABLE TO INSTALL PRE-FABRICATED BOOT FLASHING.
  - ALL CONNECTING HARDWARE (CARRIAGE BOLTS, LAG BOLTS, NUTS, WASHERS, ETC) SHALL BE STAINLESS STEEL.
  - CONTRACTOR TO SUPPLY AND INSTALL ATTACHMENTS/HARDWARE REQUIRED TO MOUNT CONDENSER EQUIPMENT TO FRAME.
  - UNISTRUT SHALL BE GALVANIZED

FREEZER / COOLER / ICE MAKER CONDENSER RACK DETAILS 1  
Scale= 3/4" = 1'-0" A-108



PANDA RESTAURANT GROUP INC.  
1683 Walnut Grove Ave.  
Rosemead, California  
91770  
Telephone: 626.799.9898  
Facsimile: 626.372.8288

All ideas, designs, arrangement and plans indicated or represented by this drawing are the property of Panda Express Inc. and were created for use on this specific project. None of these ideas, designs, arrangements or plans may be used by or disclosed to any person, firm, or corporation without the written permission of Panda Express Inc.

REVISIONS:


ISSUE DATE:

1	05.29.19	ISSUE FOR PERMIT
2	08.08.19	ISSUE FOR BID

DRAWN BY:  
PANDA PROJECT # - S4-20-D7060  
C&P PROJECT # - 2190238



08.08.2019



PANDA EXPRESS  
TRUE WARM AND WELCOME  
3460 SANDY PLAINS RD, NE SUITE 210  
MARIETTA, GA 30066

A-108

CONDENSER RACK  
DETAIL