



PANDA RESTAURANT GROUP INC.  
1683 Walnut Grove Ave.  
Rosemead, California  
91770  
Telephone: 626.799.9898  
Facsimile: 626.372.8288

All ideas, designs, arrangement and plans indicated or represented by this drawing are the property of Panda Express Inc. and were created for use on this specific project. None of these ideas, designs, arrangements or plans may be used by or disclosed to any person, firm, or corporation without the written permission of Panda Express Inc.

REVISIONS:  
 1 08.08.19 ISSUE FOR BID

ISSUE DATE:  
 1 05.29.19 ISSUE FOR PERMIT  
 2 08.08.19 ISSUE FOR BID

DRAWN BY: AL, LJD, JDV, JR

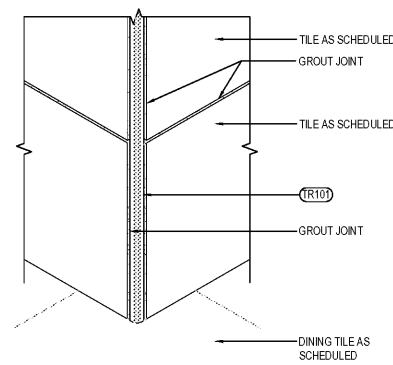
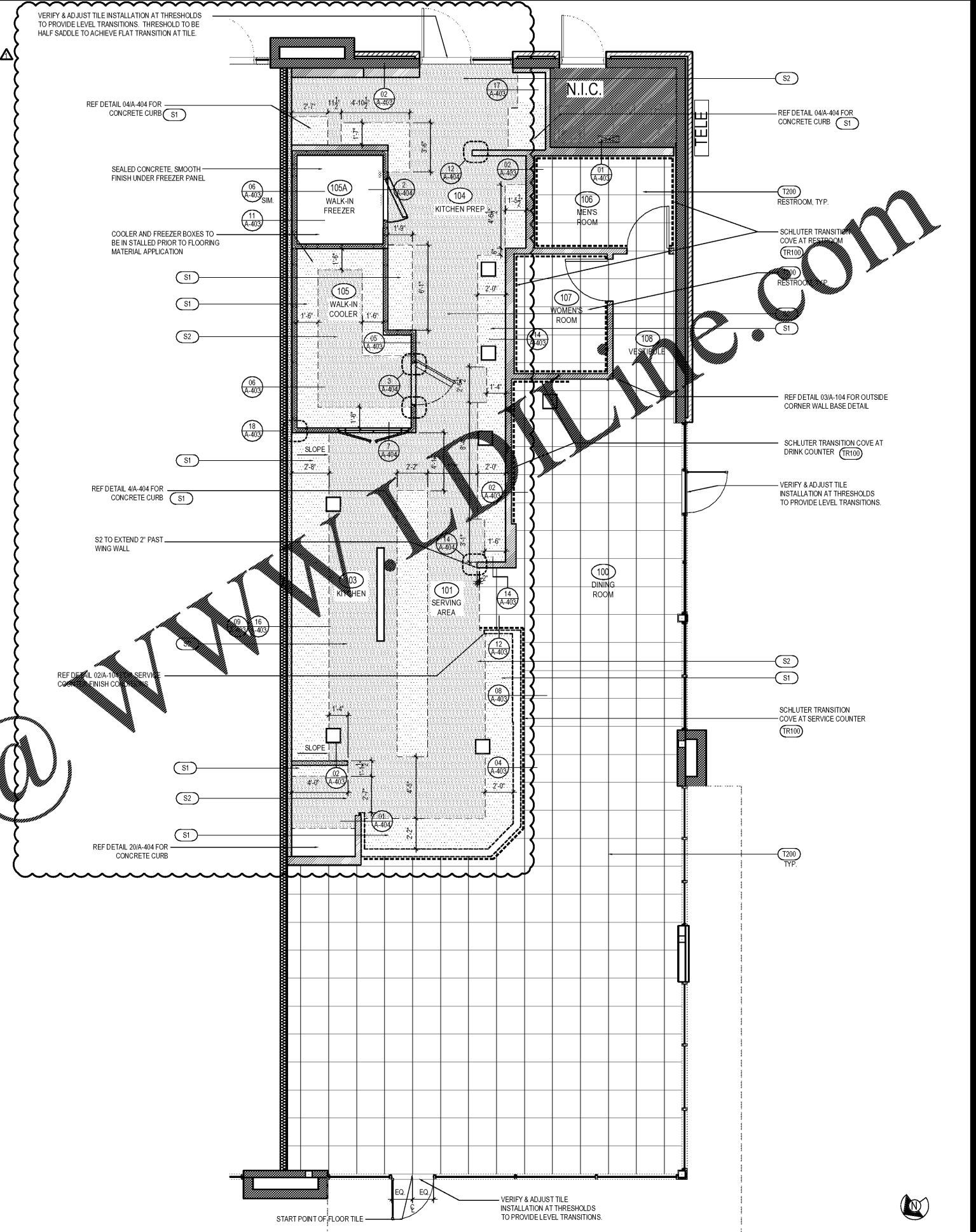
PANDA PROJECT # - S4-20-D7060  
 C&P PROJECT # - 2190238



PANDA EXPRESS  
 TRUE WARM AND WELCOME  
 3460 SANDY PLAINS RD, NE SUITE 210  
 MARIETTA, GA 30066

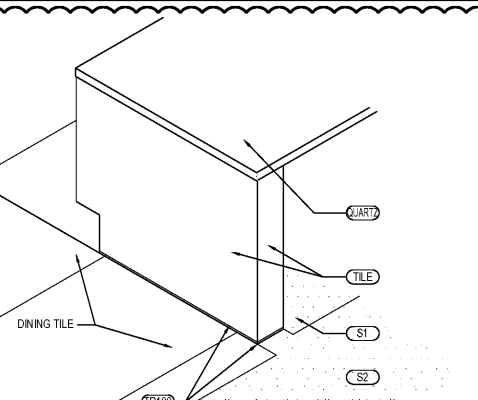
A-104

FLOOR FINISH PLAN AND SCHEDULE



OUTSIDE CORNER DETAIL 3

Scale= 3" = 1'-0" A-104



SERVICE COUNTER ISOMETRIC 2

Scale= 3/4" = 1'-0" A-104

TILE SCHEDULE							
NO.	MANUFACTURER	DESCRIPTION	COLOR	FINISH	JOINT	GROUT	REMARK
(T-108)	CMC AGGREGATE DOUG SALATINO 518-713-5371	12" X 24" X 3/8"	-	-	1/8"	G-111	RESTROOM WALL
(T-109)	CMC ITALIAN WOOD DOUG SALATINO 518-713-5371	6" X 48 X 3/8" & 8" X 48" X 3/8"	ITALIANO	-	1/8"	G-113	RR VESTIBULE & DINING ROOM WALLS
(T-200)	CMC DOUG SALATINO 518-713-5371	24" X 24"	BRAVADA GREIGE	MATTE	1/8"	G-96	DINING & RESTROOM FLOOR
(T-300)	EMSER - ECHO	3" HEVAGON	CALACATTA	MATTE	1/8"	G-114	BEVERAGE COUNTER BACKSPLASH
(S1)	SILKAL	QUARTZ BLEND #4	-	PLAIN	-	-	KITCHEN SERVICE FLOOR CONTACT: MARK FELDMAN 770-830-1404 (mfeldman@silkalamerica.com)
(S2)	SILKAL	QUARTZ BLEND #4	-	ABRASIVE	-	-	JOHN COTHRAN 888-830-1404 (jcothran@silkalamerica.com)
(M100)	800.628.7462	FOOT GRILLE	CHARCOAL	-	-	-	SIZE IN VESTIBULE @ VESTIBULE STORES
GROUT	MANUFACTURER	DESCRIPTION	MFG.	COLOR	FINISH	REMARK	
(G-94)	MAPEI 800.42.MAPEI WWW.MAPEI.COM	LATEX MODIFIED GROUT	09	GREY	SANDED	KITCHEN AND SERVICE AREA FLOOR. 100% SOLIDS INDUSTRIAL GRADE EPOXY GROUT SEE PLAN. CONTACT: MIKE GRANATOWSKI 949.212.2363 (mgranatowski@mapi.com)	
(G-96)	MAPEI 800.42.MAPEI WWW.MAPEI.COM	LATEX MODIFIED GROUT	11	SAHARA BEIGE	POLY BLEND 1/8" NON-SANDED	DINING & RESTROOM FLOOR APPLY GROUT SEALER	
(G-111)	MAPEI 800.42.MAPEI WWW.MAPEI.COM	LATEX MODIFIED GROUT	19	PEARL GREY	POLY BLEND 1/8" NON-SANDED	RESTROOM, DINING APPLY GROUT SEALER	
(G-113)	MAPEI 800.42.MAPEI WWW.MAPEI.COM	LATEX MODIFIED GROUT	07	CHOCOLATE	POLY BLEND 1/8" NON-SANDED	APPLY GROUT SEALER	
(G-114)	CUSTOM BUILDING PRODUCTS	PRISM GROUT	11	SNOW WHITE	POLY BLEND 1/8" NON-SANDED	BEVERAGE COUNTER BACKSPLASH APPLY GROUT SEALER	

\*REFER A-200 EXTERIOR FINISH SCHEDULE FOR EXTERIOR DECORATIVE TILE

\*SCHLUTER SYSTEM ALUMINUM TRIM

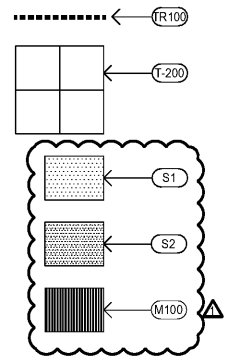
COVE TILE TRIM: INSTALLED AT RESTROOM, SERVICE COUNTER, AND DRINK STATION  
 SCHLUTER SYSTEMS DILEX-AHK 1S 125 ATGB (BRUSHED NICKEL ANODIZED ALUMINUM)  
 -OUTSIDE CORNER CONNECTOR PIECE: DILEX-AHK-E90AHK 1S 125 ATGB (BRUSHED NICKEL ANODIZED ALUMINUM)  
 -INSIDE CORNER CONNECTOR PIECE: DILEX-AHK-B90AHK 1S 125 ATGB (BRUSHED NICKEL ANODIZED ALUMINUM)  
 -END CAP PIECE: DILEX-AHK-EAHK 1S 125 ATGB (BRUSHED NICKEL ANODIZED ALUMINUM)

FLOOR TILE TRANSITION TRIM: INSTALLED IN VESTIBULE  
 SCHLUTER SYSTEMS SCHIENE-RAE125 (SATIN ANODIZED ALUMINUM)

EDGE TILE TRIM:  
 SCHLUTER SYSTEMS RONDEC-RO125 ATGB (BRUSHED NICKEL ANODIZED ALUMINUM)  
 -OUTSIDE CORNER CONNECTOR PIECE: RONDEC-EVRO125 ATGB (BRUSHED NICKEL ANODIZED ALUMINUM)  
 -INSIDE CORNER CONNECTOR PIECE: RONDEC-ILRO125 ATGB (BRUSHED NICKEL ANODIZED ALUMINUM)

EPOXY GROUT BY MAPEI, KERAPOKY IEG. 100% SOLIDS INDUSTRIAL GRADE AREAS UNDER HOOD AND 36" IN FRONT OF COOKING LINE, 3 COMPARTMENT SINK AND MOP SINK AREA  
 SEE MANUFACTURER'S SPECIFICATION, DETAILS AND GUIDE FOR PREPARATION, MIXING, GROUTING AND CLEANING INSTRUCTION  
 NOTE: SEE INTERIOR SHEETS FOR WALL/ BASE TILE LOCATIONS AND SPECIFICATIONS

Order Plans



FINISH SCHEDULE A

Scale= NTS A-104

FLOOR FINISH PLAN 1

Scale= 1/4" = 1'-0" A-104