

AIR DEVICE SCHEDULE														
MARK	MANUFACTURER	MODEL	SERVICE	NECK SIZE (IN.)	MODULE SIZE	MAX. AIRFLOW RATE (CFM)	STATIC PRESSURE DROP (IN H2O)	THROW @50 FPM (FT)	MAXIMUM NC RATING	PATTERN	THROW DIRECTION	MATERIAL	BORDER	NOTES
A	NAILOR	6145H-HD-AL	EXHAUST	8"	12"x12"	300	0.02	--	--	--	--	ALUMINUM	SURFACE	1-5

NOTES:
 1. BORDER TYPES SHALL BE COMPATIBLE WITH ARCHITECTURAL CEILING TYPE FOR THE ROOM IN WHICH THE AIR DEVICE IS LOCATED.
 2. SEE HVAC PLANS FOR LOCATION AND AIR QUANTITIES OF EACH AIR DEVICE.
 3. ALL AIR DEVICES SHALL BE TESTED IN ACCORDANCE WITH ASHRAE STANDARD 70-91.
 4. NC VALUES ARE BASED UPON A 10 dB ROOM ATTENUATION.
 5. OWNER PROVIDED AND CONTRACTOR INSTALLED. REFER TO SPECIFICATIONS

SPECIALTY PLUMBING FIXTURE SCHEDULE				
MARK	FIXTURE	MANUFACTURER	MODEL	DESCRIPTION
CO-1	EXTERIOR CLEANOUT	JAY R. SMITH	4250	HEAVY DUTY DURACOAT CAST IRON BODY WITH DOUBLE FLANGE HOUSING AND SCORRIATED CAST IRON COVER WITH LIFTING DEVICE SECURED WITH COUNTERSUNK SCREWS.

NOTES:
 1. NOT ALL FIXTURES LISTED MAY BE USED ON PLANS
 2. ALL FLOOR DRAINS, FLOOR SINKS, AND ROOF DRAINS SHALL BE PROVIDED AND INSTALLED BY THE PLUMBING CONTRACTOR.
 3. SEE SPECIFICATION SECTION SHEET M1.

LOUVER SCHEDULE										
MARK	MANUFACTURER	MODEL	LOCATION	NECK SIZE (IN.)	TYPE	MAX. AIRFLOW RATE (CFM)	STATIC PRESSURE DROP (IN H2O)	FREE AREA (SQ. FT.)	AIR VELOCITY	NOTES
OAL-1	NAILOR	1606DAF	SERVICE BAY	30"x30"	DRAINABLE	1700	0.08	2.72	625	1-2

1. PROVIDE WITH ALUMINUM BIRD SCREEN.
 2. PROVIDE WITH KYNARHLAR (70% PVDF) FINISH. COLOR TO BE SELECTED BY ARCHITECT.

FAN SCHEDULE										
MARK	AREA SERVED	MANU.	MODEL	FAN			ELEC.			NOTES
				CFM	RPM	ESP	V/PH/Hz	HP		
EF5	MECHANIC'S BAY	DAYTON	10D988	4240	1750	0.125	120/1/60	3/4	A, C	
EF6	MECHANIC'S BAY	DAYTON	10D988	4240	1750	0.125	120/1/60	3/4	A, C	
EF7	LUBE PIT	PENNBARRY	SX085RCGP	500	1550	0.4	120/1/60	1/6	C, D, E, F	

GENERAL INFORMATION:
 1. UNITS PROVIDED BY OWNER, INSTALLED BY CONTRACTOR.

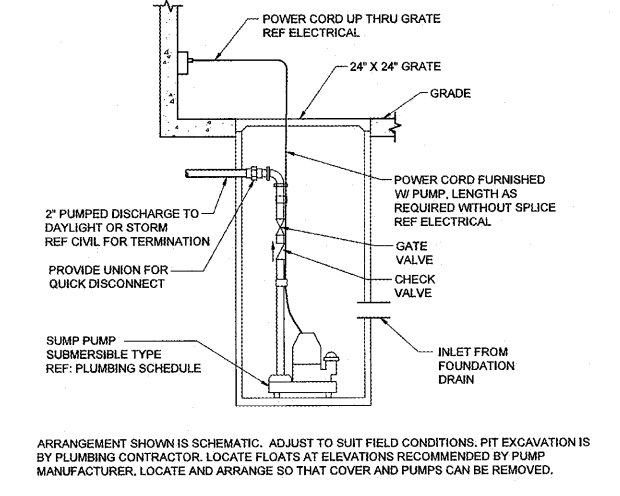
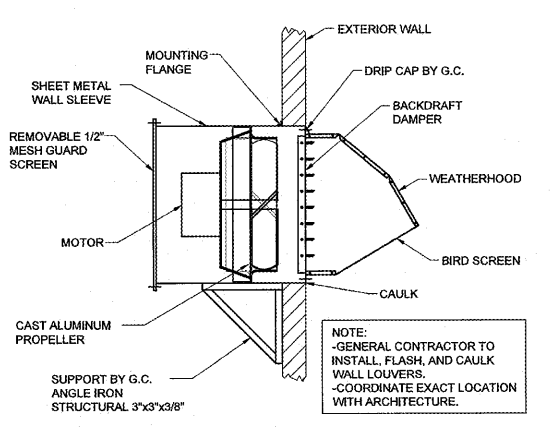
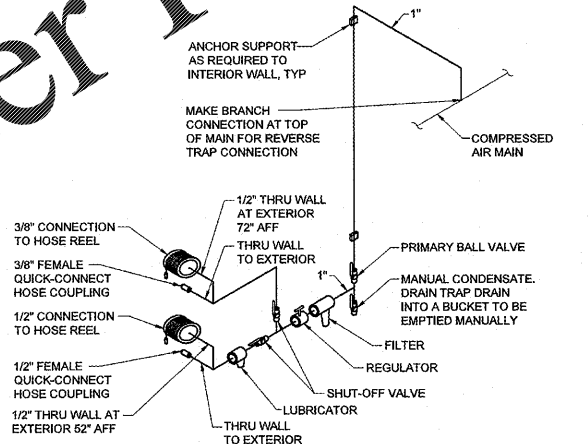
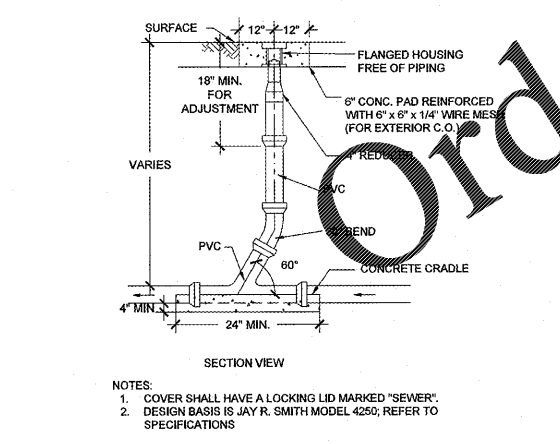
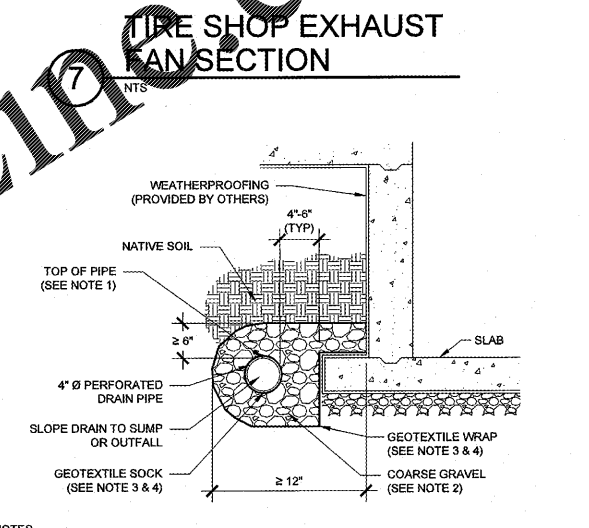
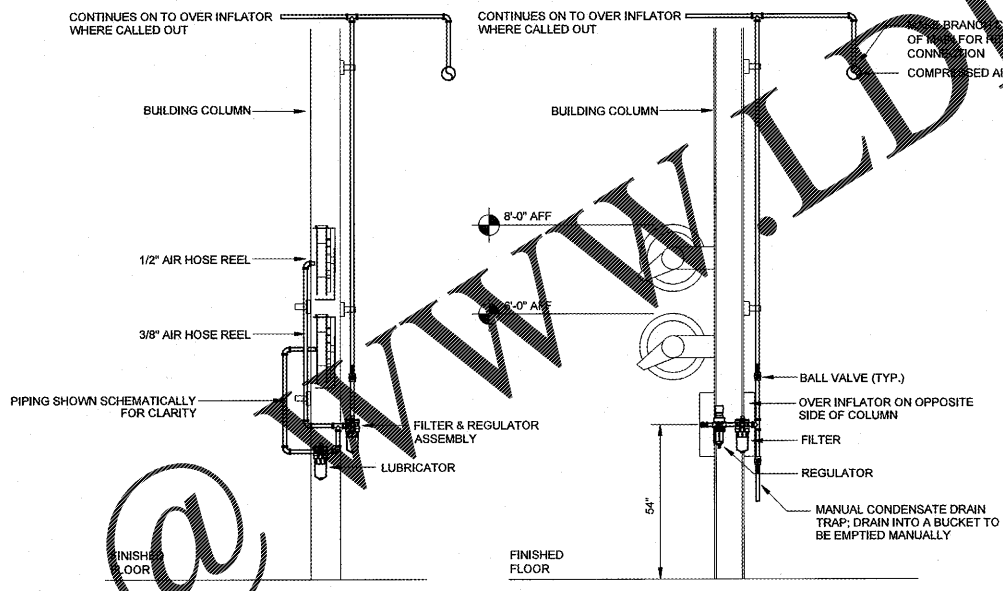
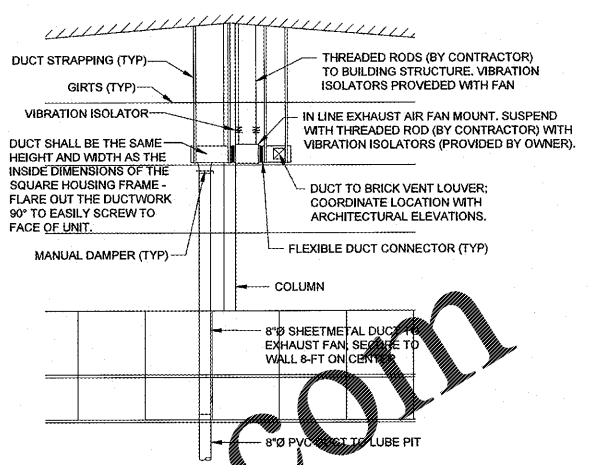
NOTES:
 A. FAN SHALL BE SWITCHED. REF ELEC.
 B. PROVIDE MANUFACTURER INTEGRAL DISCONNECT, GRAVITY BACKDRAFT DAMPER, AND BIRD SCREEN.
 C. PROVIDE MANUFACTURER INTEGRAL DISCONNECT, GRAVITY BACKDRAFT DAMPER, BIRD SCREEN, AND WEATHER HOOD.
 D. PROVIDE WITH PLUG TYPE DISCONNECT
 E. WIRE TO RUN CONTINUOUS
 F. PROVIDE WITH 12" X 12" BRICK VENT

PUMP SCHEDULE									
MARK	MANUFACTURER/ MODEL	TYPE	WORKING FLUID	GPM	DISCHARGE PRESSURE (FT)	MOTOR HP	ELEC VOLT/PH	NOTES	
SP-1	ZOELLER MIGHTY MATE 53	SUBMERSIBLE SUMP PUMP	OIL/WATER	10	17	1/3	115/1	1	

NOTES:
 1. PROVIDE WITH DISCHARGE CHECK VALVE AND DECOUPLING UNION.
 2. OWNER PROVIDED AND CONTRACTOR INSTALLED

FIRE/SMOKE DAMPER SCHEDULE				
MARK	MANUFACTURER	MODEL	RATING	NOTES
F	GREENHECK	FD-300	3 HR	A, B, C

NOTES:
 A. SIZE PER ATTACHED DUCT.
 B. INSTALL PER NFPA 90 A
 C. CONTRACTOR SHALL PROVIDE FIRE/SMOKE DAMPER



4 SANITARY SEWER CLEANOUT
SCALE: N.T.S.

3 HOSE REEL DETAIL
NTS

2 WALL EXHAUST FAN DETAIL
NTS

1 SUMP PUMP DETAIL
SCALE: NTS

EACH SUBCONTRACTOR IS RESPONSIBLE FOR HAVING A THOROUGH KNOWLEDGE OF ALL DRAWINGS AND SPECIFICATIONS IN THEIR RELATED FIELD. THE FAILURE TO ACQUAINT HIMSELF WITH THIS KNOWLEDGE DOES NOT RELIEVE THE RESPONSIBILITY OF PERFORMING HIS WORK PROPERLY. NO ADDITIONAL COMPENSATION SHALL BE ALLOWED BECAUSE OF CONDITIONS THAT OCCUR DUE TO FAILURE TO FAMILIARIZE WORKERS WITH THIS KNOWLEDGE.

HFA ARCHITECTS ENGINEERS INTERIORS
HARRISON FRENCH & ASSOCIATES, LTD.
 1705 S. Walton Blvd., Suite 3
 Bentonville, Arkansas 72712
 t 479.273.7780
 f 888.520.9685
 www.hfa-ac.com

STIPULATION FOR REUSE
 THESE DRAWINGS ARE PREPARED FOR THE USE OF THE PROJECT AND THE CONTRACTOR. ANY REUSE OF THESE DRAWINGS FOR ANY OTHER PROJECT WITHOUT THE WRITTEN PERMISSION OF HARRISON FRENCH & ASSOCIATES, LTD. IS STRICTLY PROHIBITED. ANY REUSE OF THESE DRAWINGS WITHOUT THE WRITTEN PERMISSION OF HARRISON FRENCH & ASSOCIATES, LTD. IS STRICTLY PROHIBITED.

1127 TYSON RD
 HOPE HULL, AL 36043
Speedco Remodel
 PROJECT NUMBER: 03-19-60718

Loves
Travel Stop & Country Stores

ALABAMA LICENSED PROFESSIONAL ENGINEER
 No. 37822
 JUN 26 2019

ISSUE BLOCK		
DATE	DESCRIPTION	ADD #
06/24/19		#1

STORE NO.	718
DOCUMENT DATE:	04/11/19
CHECKED BY:	JKR
DRAWN BY:	PRC
PROTO CYCLE:	

MECHANICAL DETAILS & SCHEDULES

SHEET: YM3.0

Order Plans

WWW.DLLine.com

June 26, 2019 9:54 AM - User: rakesh.chowdhary
 M:\30303-19-60718-Loves - Hope Hull, AL\118\CONDOCS\MEP\315 YM3.0 718.dwg