

STIPULATION FOR REUSE  
 THIS DOCUMENT IS THE PROPERTY OF HFA ARCHITECTS ENGINEERS INTERIORS AND IS TO BE USED ONLY FOR THE PROJECT AND SITE SPECIFICALLY IDENTIFIED HEREIN. IT IS NOT TO BE REPRODUCED, COPIED, REPRINTED, OR TRANSMITTED IN ANY FORM OR BY ANY MEANS, ELECTRONIC OR MECHANICAL, INCLUDING PHOTOCOPYING, RECORDING, OR BY ANY INFORMATION STORAGE AND RETRIEVAL SYSTEM, WITHOUT THE WRITTEN PERMISSION OF HFA ARCHITECTS ENGINEERS INTERIORS.

1127 TYSON RD  
 HOPE HULL, AL 36043

**SPEEDCO REMODEL**  
 PROJECT NUMBER: 03-19-60718

**Love's**  
**Travel Stop &**  
**Country Stores**

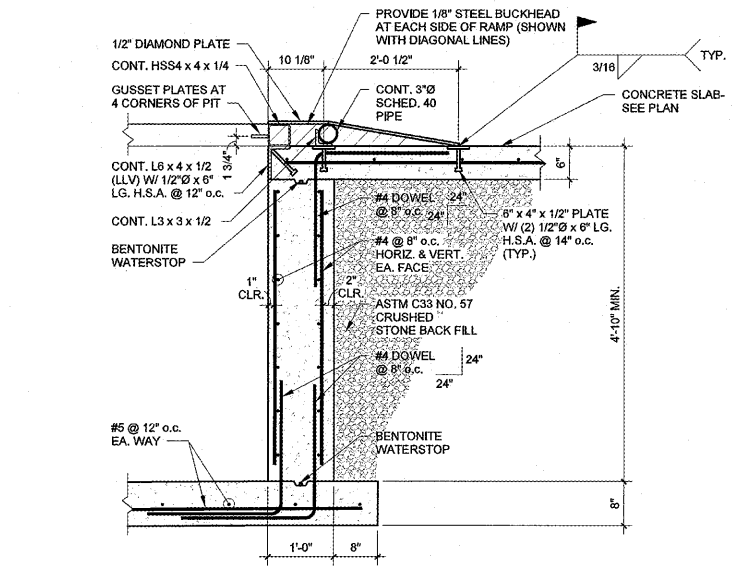


ISSUE BLOCK		
Δ	06/24/19	ADD 1

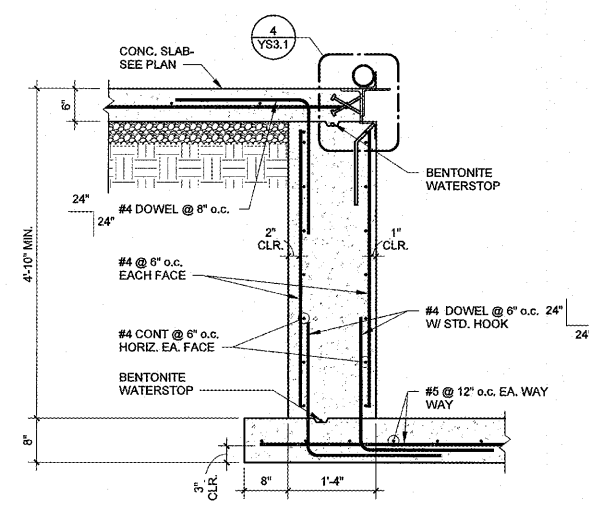
STORE NO. 718  
 DOCUMENT DATE: 06/24/19  
 CHECKED BY: LST  
 DRAWN BY: AJW  
 PROTO CYCLE:

**LUBE PIT PLAN AND PIT DETAILS**

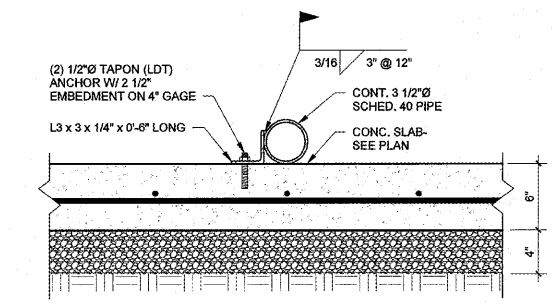
SHEET: **YS3.1**



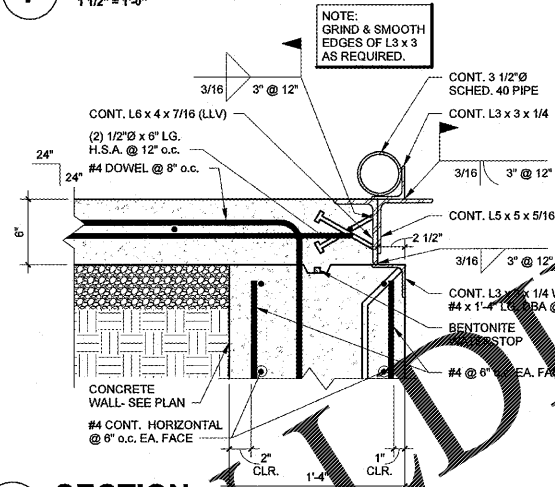
**6 SECTION**  
 3/4" = 1'-0"



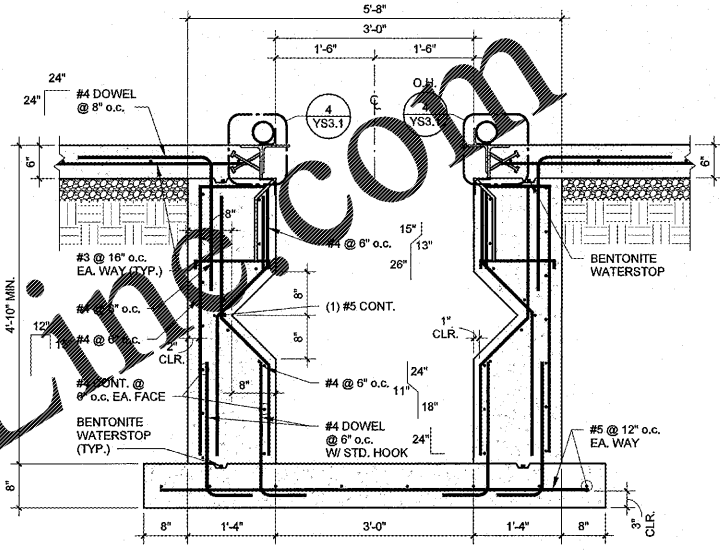
**5 SECTION**  
 3/4" = 1'-0"



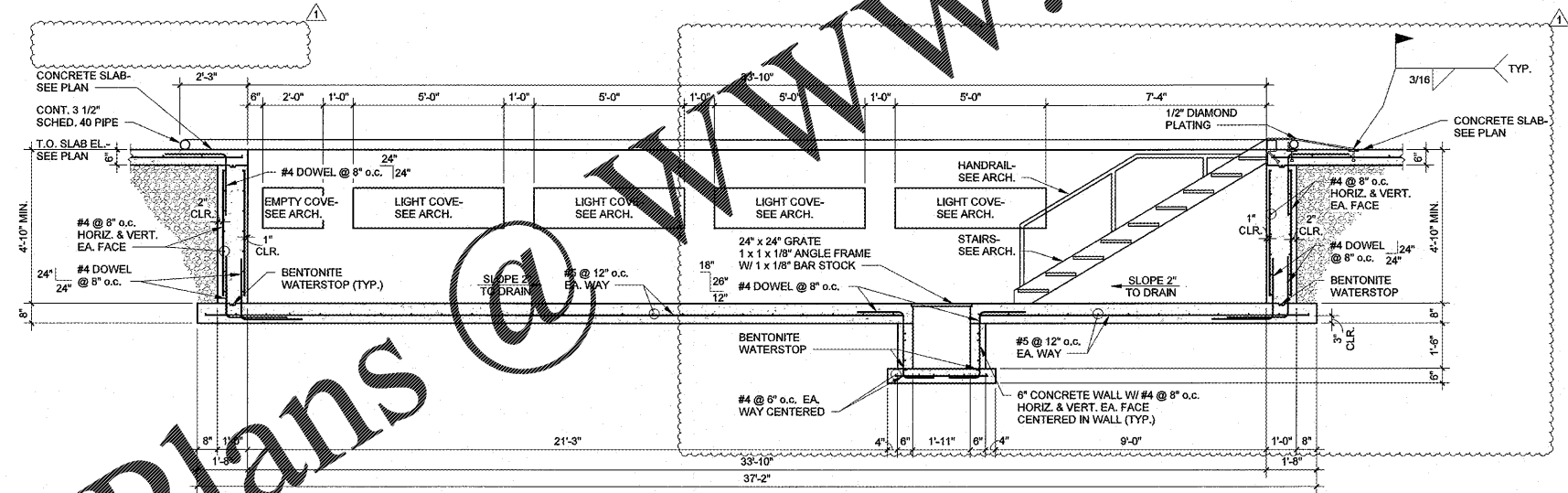
**7 SECTION**  
 1 1/2" = 1'-0"



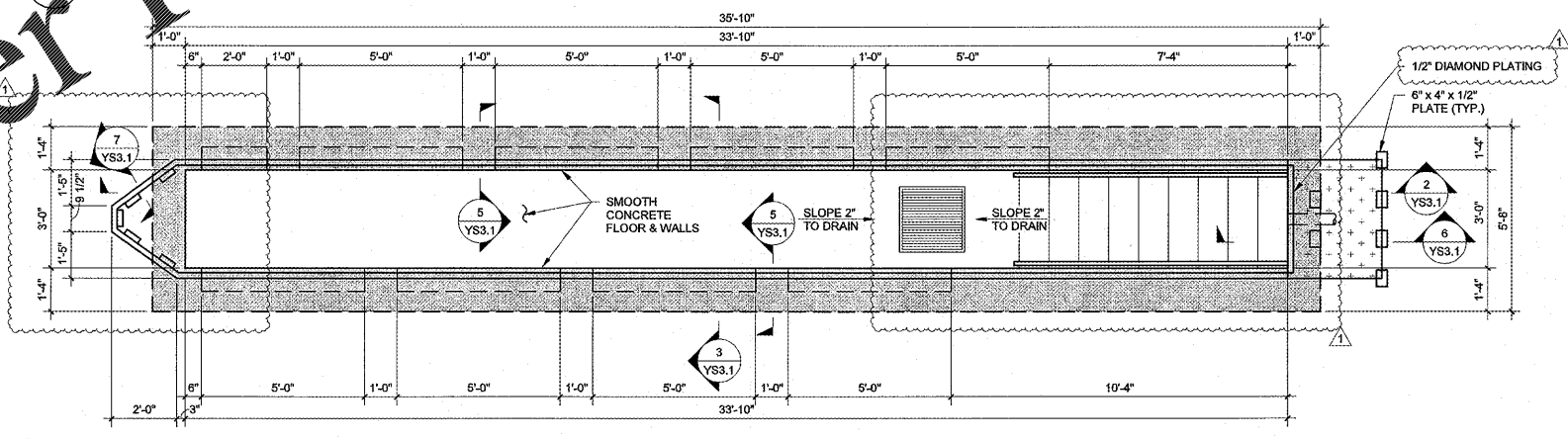
**4 SECTION**  
 1 1/2" = 1'-0"



**3 SECTION**  
 3/4" = 1'-0"



**2 LUBE PIT SECTION**  
 3/8" = 1'-0"



**1 LUBE PIT PLAN**  
 3/8" = 1'-0"

Order Plans @ [WWW.IDIENGINEERING.COM](http://WWW.IDIENGINEERING.COM)