

STIPULATION FOR REUSE
THIS DRAWING IS PREPARED FOR THE PROJECT AND SITE SPECIFICALLY. IT IS NOT TO BE REUSED FOR ANY OTHER PROJECT OR SITE WITHOUT THE WRITTEN CONSENT OF HARRISON FRENCH & ASSOCIATES, LTD. ANY REUSE OF THIS DRAWING WITHOUT THE WRITTEN CONSENT OF HARRISON FRENCH & ASSOCIATES, LTD. IS PROHIBITED AND MAY BE CONSIDERED A VIOLATION OF THE PROFESSIONAL ENGINEERING ACT.

1127 TYSON RD
HOPE HULL, AL 36043
PROJECT NUMBER: 03-19-60718

Love's
Travel Stop &
Country Stores



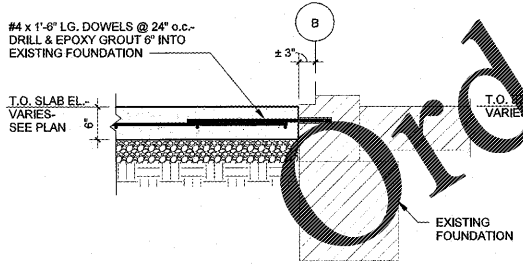
| ISSUE BLOCK | |
|-------------|--|
| | |
| | |
| | |
| | |

| | |
|---------------|----------|
| STORE NO. | 718 |
| DOCUMENT DATE | 06/24/19 |
| CHECKED BY | LST |
| DRAWN BY | AJW |
| PROTO CYCLE | |

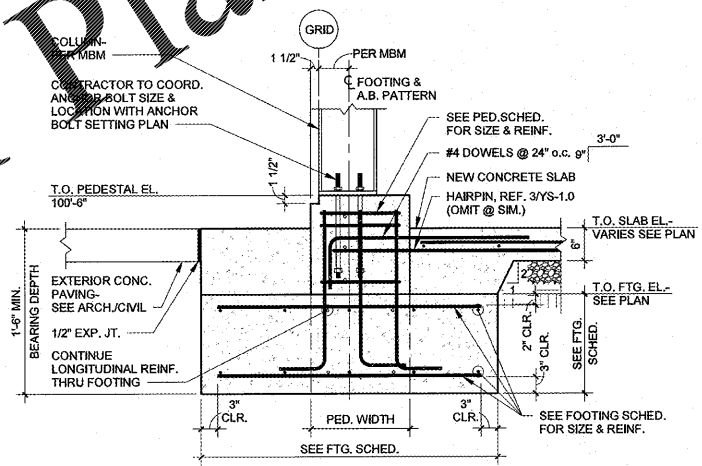
**FOUNDATION
DETAILS**

SHEET: **YS3.0**

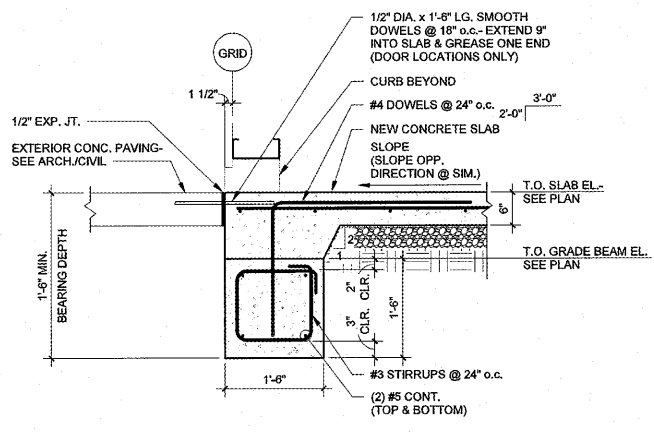
Order Plans @ www.LDILine.com



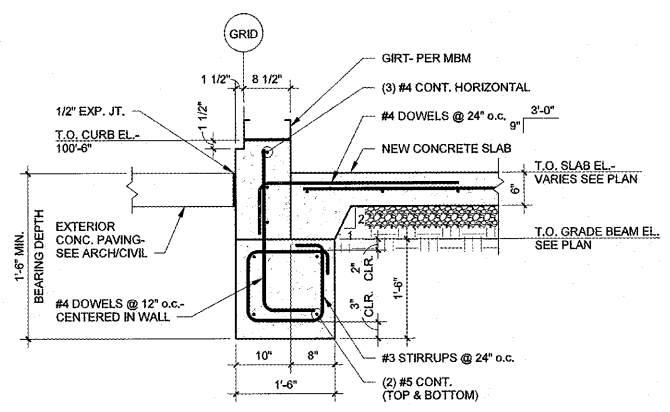
4 SECTION
3/4" = 1'-0"



3 SECTION
3/4" = 1'-0"



2 SECTION
3/4" = 1'-0"



1 SECTION
3/4" = 1'-0"