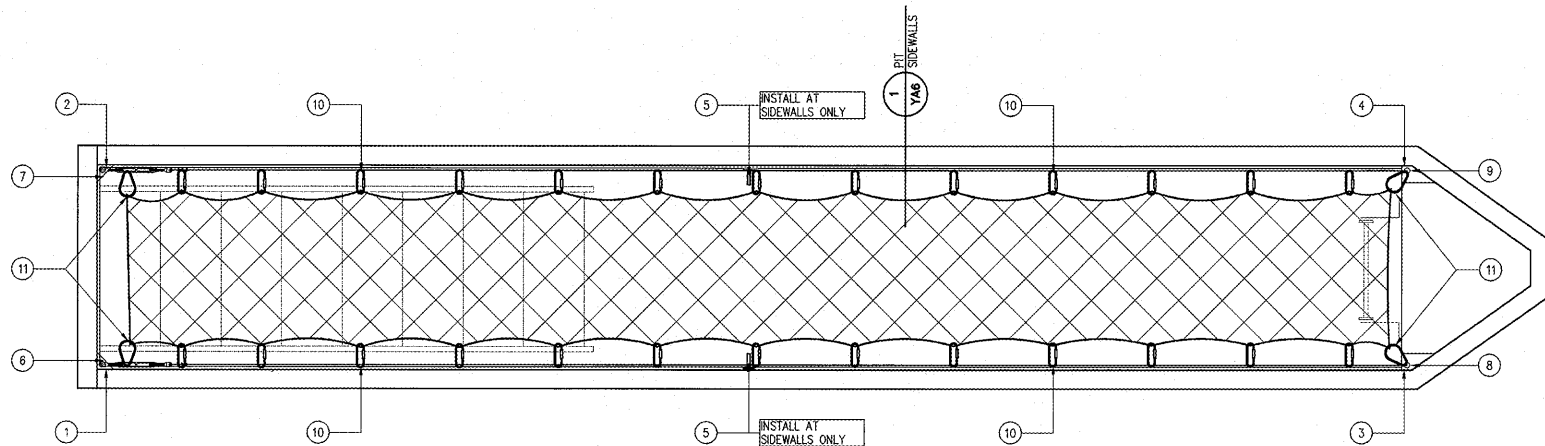
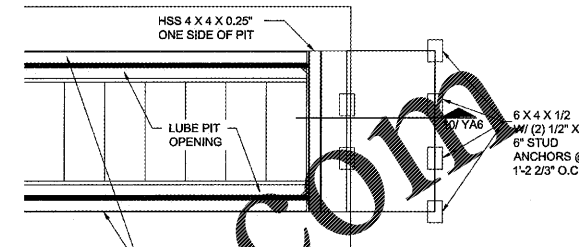


- GUSSET PLATE 1 BY G.C. REF: 6-A/YA6
- GUSSET PLATE 2 BY G.C. REF: 6-A/YA6
- GUSSET PLATE 3 BY G.C. REF: 6-B/YA6
- GUSSET PLATE 4 BY G.C. REF: 6-B/YA6
- WELD THE PAD EYE AT MIDDLE OF 73'-3" RUN (NOT NEEDED AT SHORTER 33'-10" LONG PIT) IN A VERTICAL POSITION ON SIDEWALL
- ATTACH ONE TURNBUCKLE VIA THE JAW END TO GUSSET PLATE #1.
- ATTACH ONE TURNBUCKLE VIA THE JAW END TO GUSSET PLATE #2.
- ATTACH CABLE TO GUSSET PLATE #3. EXTEND THE CABLE TO THE EYE END OF THE TURNBUCKLE AT GUSSET PLATE #1. USE (3) WIRE ROPE CLIPS ON CABLE.
- ATTACH CABLE TO GUSSET PLATE #4. EXTEND THE CABLE TO THE EYE END OF THE TURNBUCKLE AT GUSSET PLATE #2. USE (3) WIRE ROPE CLIPS ON CABLE.
- ATTACH QUICKLINKS TO EACH SIDE OF NET 15' APART.
- ATTACH SPRING SNAP LINKS TO THE NET ON BOTH ENTRANCE AND EXIT SIDES OF NET

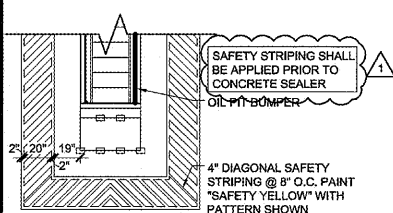


12 PIT SAFETY NETTING DETAIL
SCALE: 1" = 1'-0"

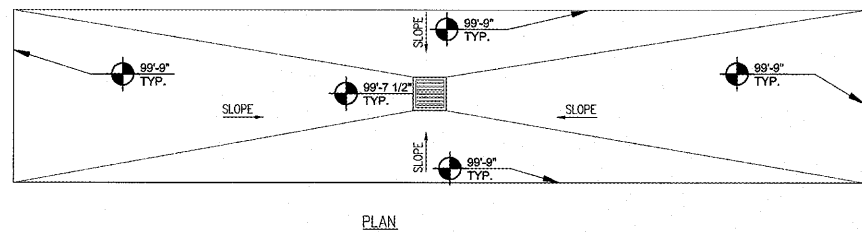
- SHEET NOTES:**
- DEVON EZ-GUIDE SAFETY COVER, PROVIDED BY OWNER & INSTALLED BY GC.
 - PAINT LUBE PIT WALLS & FLOOR WITH "SHERWIN WILLIAMS" ARMORSEAL 100HS-B67-2000 CLEAR BASE WITH GLOSS FINISH
 - PIT SAFETY NETTING PROVIDED BY OWNER & INSTALLED BY GC AFTER OIL CADDY HAS BEEN INSTALLED.



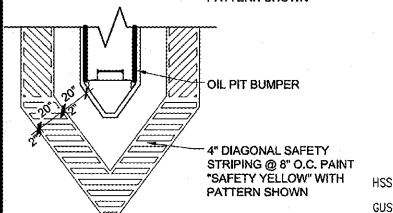
LUBE PIT RAMP PLAN
SCALE: 1/2" = 1'-0"



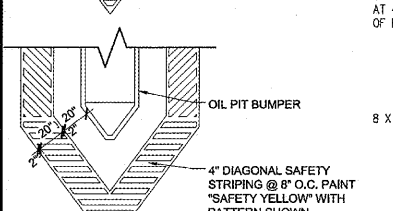
11 ENLARGED STRIPING DETAIL
SCALE: 3/16" = 1'-0"



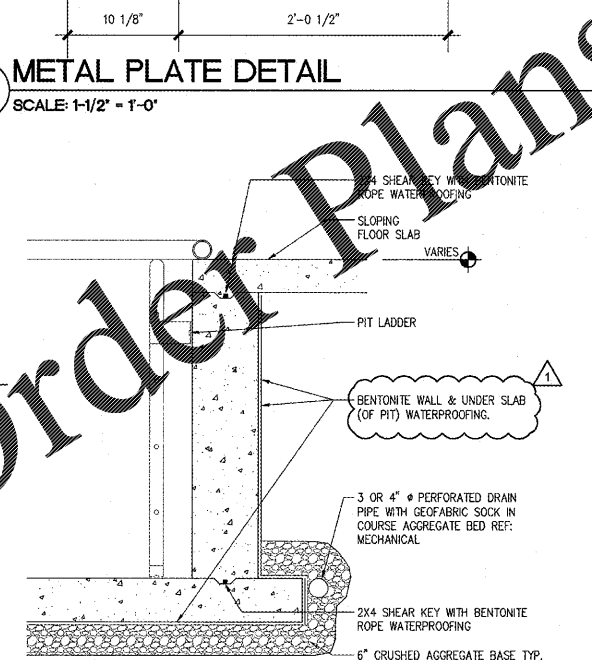
9 CATCH BASIN
SCALE: 1" = 1'-0"



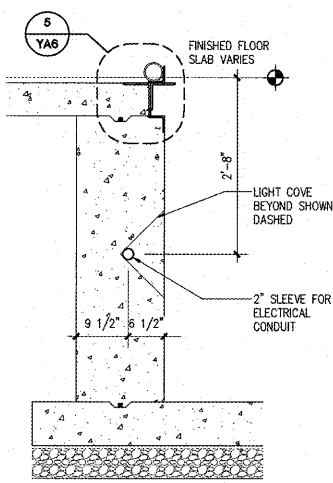
10 METAL PLATE DETAIL
SCALE: 1/2" = 1'-0"



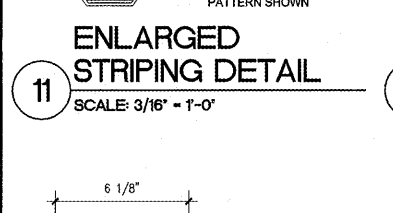
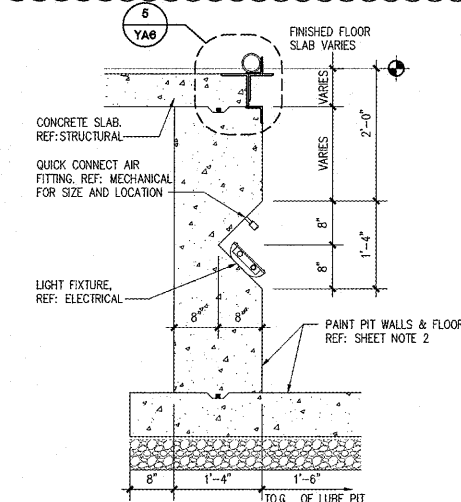
4 PIT WATERPROOFING
SCALE: 3/4" = 1'-0"



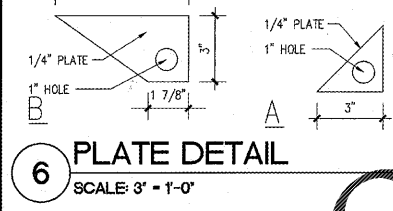
3 WALL SECTION
SCALE: 3/4" = 1'-0"



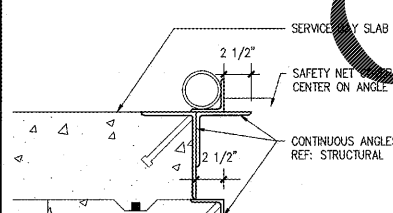
2 LIGHT RECESS (WALL) SECTION
SCALE: 3/4" = 1'-0"



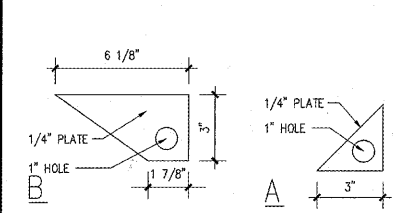
7 LADDER SECTION
SCALE: 1" = 1'-0"



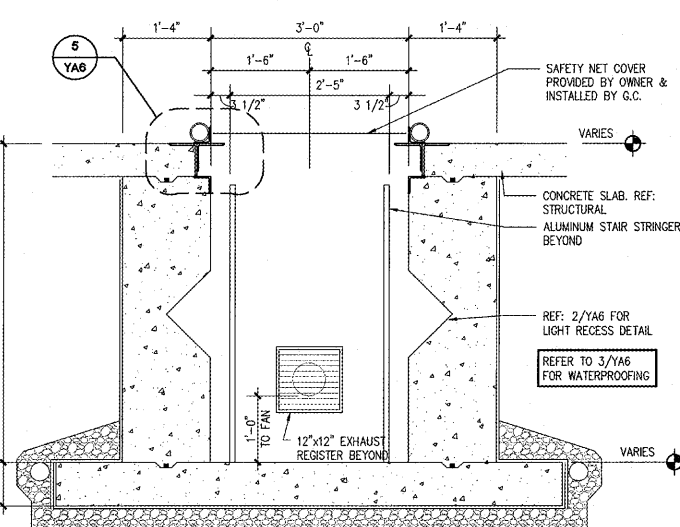
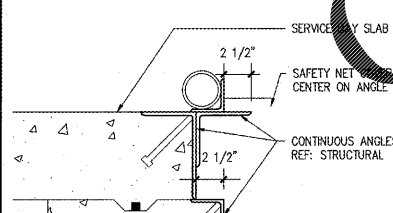
8 STAIR SECTION
SCALE: 1/2" = 1'-0"



5 RAIL DETAIL
SCALE: 1 1/2" = 1'-0"



6 PLATE DETAIL
SCALE: 3" = 1'-0"



1 LUBE PIT SECTION
SCALE: 3/4" = 1'-0"

HFA
ARCHITECT
ENGINEER

HARRISON FRENCH & ASSOCIATES, LTD.
1705 S. Walton Blvd., Suite 3
Bentonville, Arkansas 72712
t 479-273-7780
f 888-520-9685
www.hfa-ae.com

STIPULATION FOR REUSE
THIS DRAWING IS THE PROPERTY OF HFA. IT IS TO BE USED ONLY FOR THE PROJECT AND SITE SPECIFICALLY IDENTIFIED ON THE DRAWING. ANY REUSE OF THIS DRAWING FOR ANY OTHER PROJECT WITHOUT THE WRITTEN PERMISSION OF HFA IS STRICTLY PROHIBITED. HFA ASSUMES NO LIABILITY FOR ANY DAMAGE OR INJURY RESULTING FROM THE USE OF THIS DRAWING.

1127 TYSON RD
HOPE HULL, AL 36043

SPEEDCO REMODEL
PROJECT NUMBER: 03-19-80718

Love's
Travel Stop &
Country Stores

STATE OF ALABAMA
BOBCEL EBBRECHT
REGISTERED ARCHITECT
7255
06/26/19

| ISSUE BLOCK | | |
|-------------|----------|-------|
| 1 | 06/24/19 | ADD 1 |
| | | |
| | | |

| | |
|----------------|----------|
| STORE NO. | 718 |
| DOCUMENT DATE: | 04/11/19 |
| CHECKED BY: | JEM |
| DRAWN BY: | KEL |
| PROTO CYCLE: | |

LUBE PIT SECTIONS AND DETAILS

SHEET: **YA6**

Order Plans

J:\03-2015-11-25em - lube pit sections and details.dwg
 MK0035-19-80718 Lube - Hope Hull, AL 7/18/2019 09:58:41 AM