



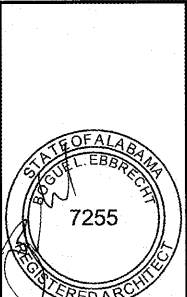
HARRISON FRENCH & ASSOCIATES, LTD.

1705 S. Walton Blvd., Suite 3
Bentonville, Arkansas 72712
t 479.273.7780
f 888.520.9685
www.hfa-ae.com

STIPULATION FOR REUSE:
THE DRAWING HAS BEEN PREPARED FOR THE
CONTRACTOR'S USE ONLY. IT IS NOT TO BE
REPRODUCED OR TRANSMITTED IN ANY FORM
OR BY ANY MEANS, ELECTRONIC OR MECHANICAL,
INCLUDING PHOTOCOPYING, RECORDING, OR BY
ANY INFORMATION STORAGE AND RETRIEVAL
SYSTEM, WITHOUT THE WRITTEN PERMISSION OF
HARRISON FRENCH & ASSOCIATES, LTD.

1127 TYSON RD
HOPE HULL, AL 36043
PROJECT NUMBER: 03-19-60718

Love's
Travel Stop &
Country Stores



06/26/19

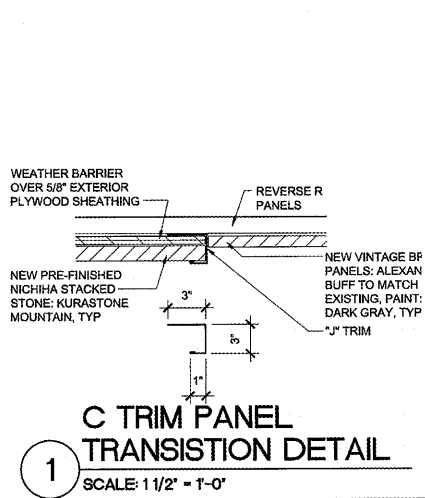
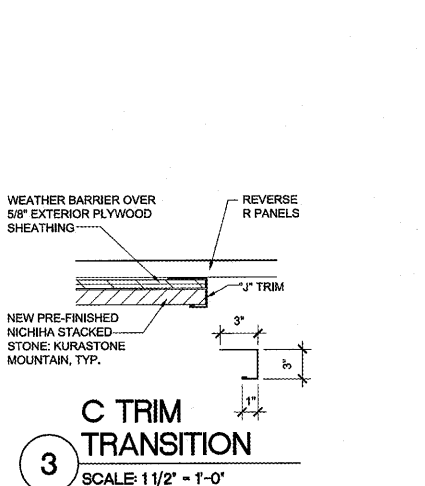
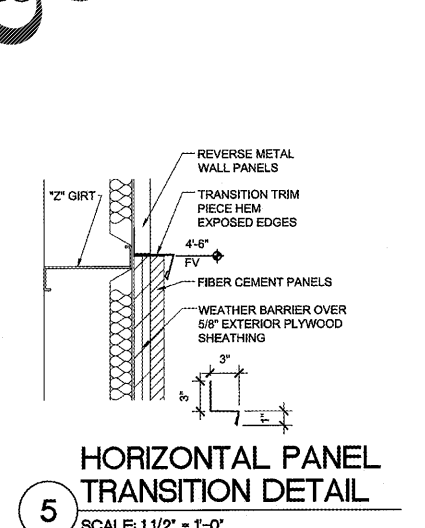
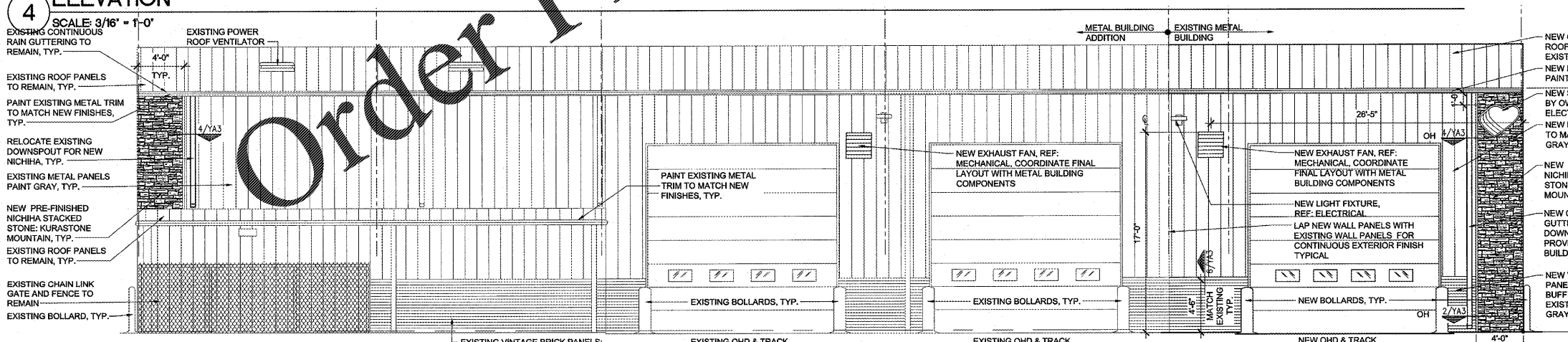
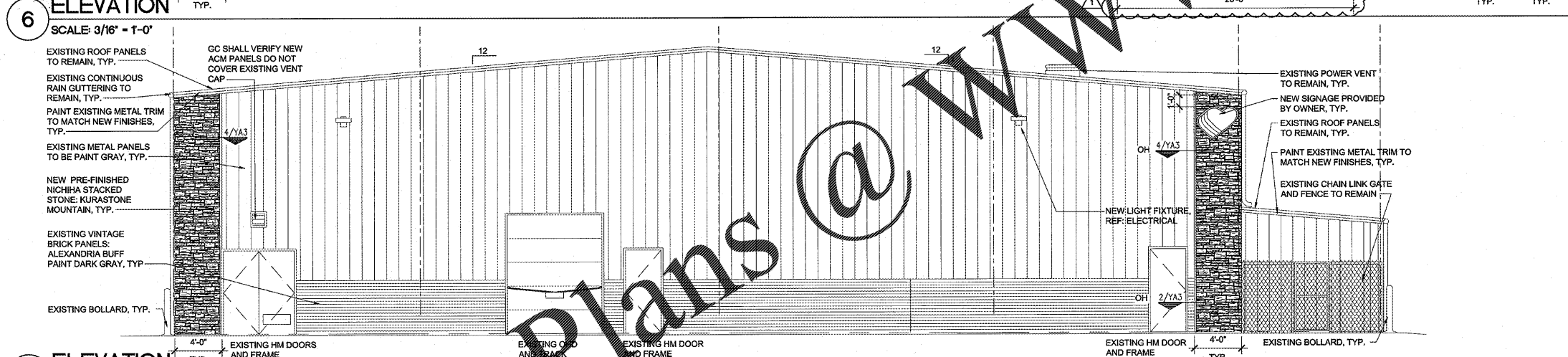
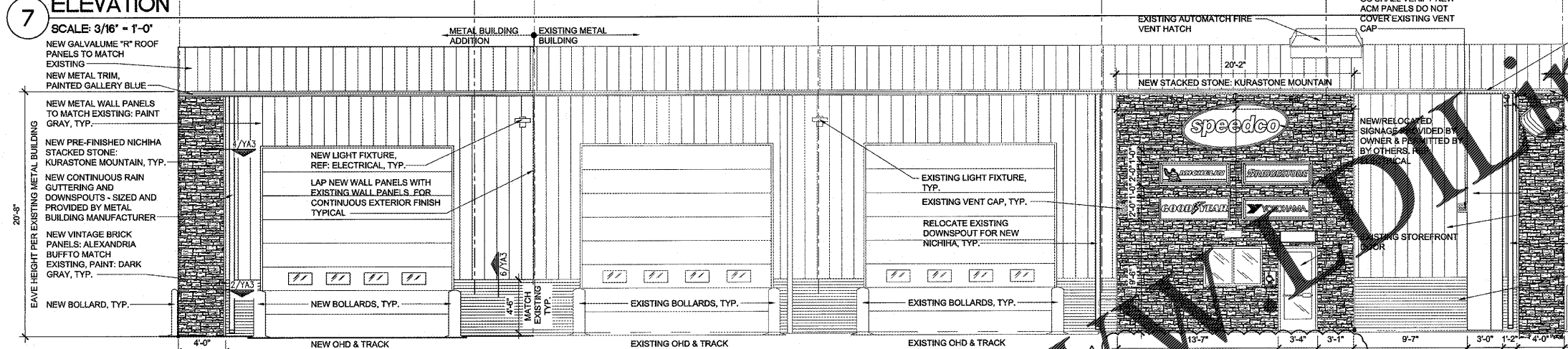
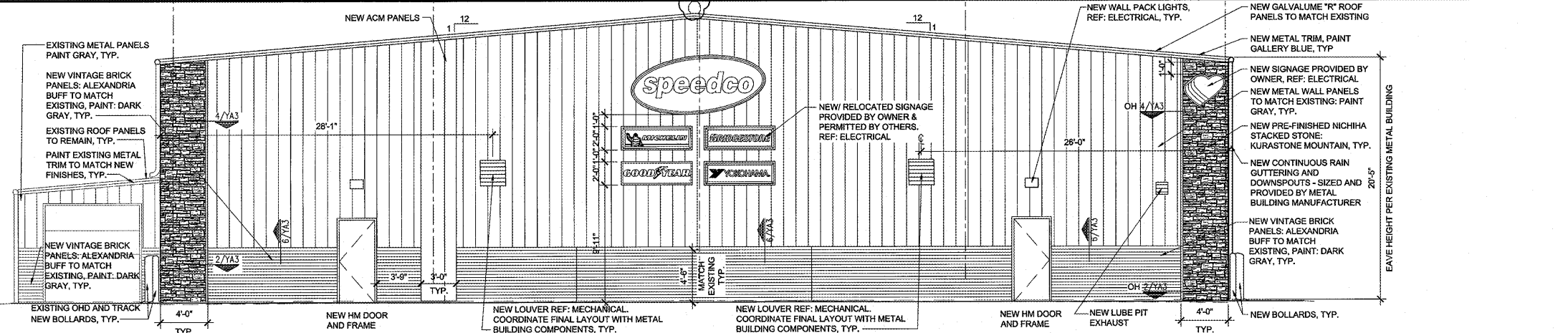
ISSUE BLOCK		
1	06/24/19	ADD 1

STORE NO.	718
DOCUMENT DATE:	04/11/19
CHECKED BY:	JEM
DRAWN BY:	KEL
PROTO CYCLE:	

EXTERIOR ELEVATIONS & DETAILS

SHEET: YA3

- SHEET NOTE:**
- EXISTING SIGNAGE TO REMAIN UNLESS NOTED OTHERWISE.
 - NEW CONSTRUCTION TO MATCH EXISTING: ROOF: GALVALUME "R" ROOF PANELS WALL PANELS: DARK GRAY TRIM: GALLERY BLUE NICHHA HORIZONTAL TRIM: DARK GRAY NICHHA VERTICAL TRIM: GALLERY BLUE GUTTERS & DOWNSPOUTS: GALLERY BLUE RAKE TRIM: GALLERY BLUE OHD TRIM: GALLERY BLUE PERSONNEL DOOR TRIM: GALLERY BLUE WINDOW TRIM: GALLERY BLUE
 - REFER TO ELECTRICAL SHEETS FOR WALL PACK LIGHTS AND LOCATIONS.
 - REFER TO MECHANICAL SHEETS FOR EXACT LOCATIONS AND MOUNTING HEIGHTS OF EXHAUST FANS.
 - SEAL HOLES IN METAL BUILDING PANELS AS REQUIRED.
 - NEW RIDGE VENT TO MATCH EXISTING STYLE AND COLOR.
 - PAINT METAL DOORS AND FRAMES TO MATCH ADJACENT SPEEDCO COLOR UNLESS NOTED OTHERWISE.
- FIBER CEMENT PANELS TO BE:**
"NICHHA" VINTAGE BRICK - ALEXANDRIA BUFF
"NICHHA" KURASTONE-STACKED STONE - MOUNTAIN. MATCH EXISTING.
- GC IS RESPONSIBLE FOR COORDINATING INSTALLATION OF OWNER PROVIDED FIBER CEMENT PANELS BY CERTIFIED NICHHA INSTALLER.
- CONTACT NATIONAL ACCOUNT MANAGER:
VANESSA GAY OR ADAM COSSICK
LOVES@NICHHA.COM
- P) 678-894-4411 P) 770-805-9468
C) 404-891-8538 C) 770-570-0011
F) 770-805-9467 F) 770-805-9467
- GC IS RESPONSIBLE FOR VERIFYING ALL QUANTITIES OF NEW NICHHA PANELS.



Order plans @ www.wawdml.com

Jun26,2019 4:50pm - User: sean.parkin
M:\2019-09-07-18-Loves-Hope Hull, AL 718\CONDOCS\Architectural_130_YA-3 EXTERIOR ELEVATIONS.dwg