

SHEET NOTE:
 1. INSTALL WATER RESISTANT 1X4 AT EVERY VERTICAL AND HORIZONTAL BUTT JOINT, TYPICAL FOR ALL PLYWOOD WALL FINISH.

HFA
 ARCHITECT
 ENGINEERS
 INTERIORS

HARRISON FRENCH
 & ASSOCIATES, LTD.

1705 S. Walton Blvd, Suite 3
 Bentonville, Arkansas 72712
 t 479.273.7760
 f 888.520.9685
 www.hfa-ac.com

STIPULATION FOR REUSE
 THIS DRAWING IS THE PROPERTY OF HFA. IT IS TO BE USED ONLY FOR THE PROJECT AND SITE SPECIFICALLY IDENTIFIED HEREON. IT IS NOT TO BE REPRODUCED, COPIED, OR TRANSMITTED IN ANY FORM OR BY ANY MEANS, ELECTRONIC OR MECHANICAL, INCLUDING PHOTOCOPYING, RECORDING, OR BY ANY INFORMATION STORAGE AND RETRIEVAL SYSTEM, WITHOUT THE WRITTEN PERMISSION OF HFA. ANY REUSE OF THIS DRAWING FOR ANY OTHER PROJECT OR SITE WITHOUT THE WRITTEN PERMISSION OF HFA IS STRICTLY PROHIBITED AND WILL BE CONSIDERED A VIOLATION OF THE PROFESSIONAL ETHICS OF THE ARCHITECT.

1127 TYSON RD
 HOPE HULL, AL 36043

SPEEDCO REMODEL

PROJECT NUMBER: 03-19-50718

Loves
 Travel Stop &
 Country Stores

STATE OF ALABAMA
 BOYCE EBBERT
 7255
 REGISTERED ARCHITECT

06/26/19

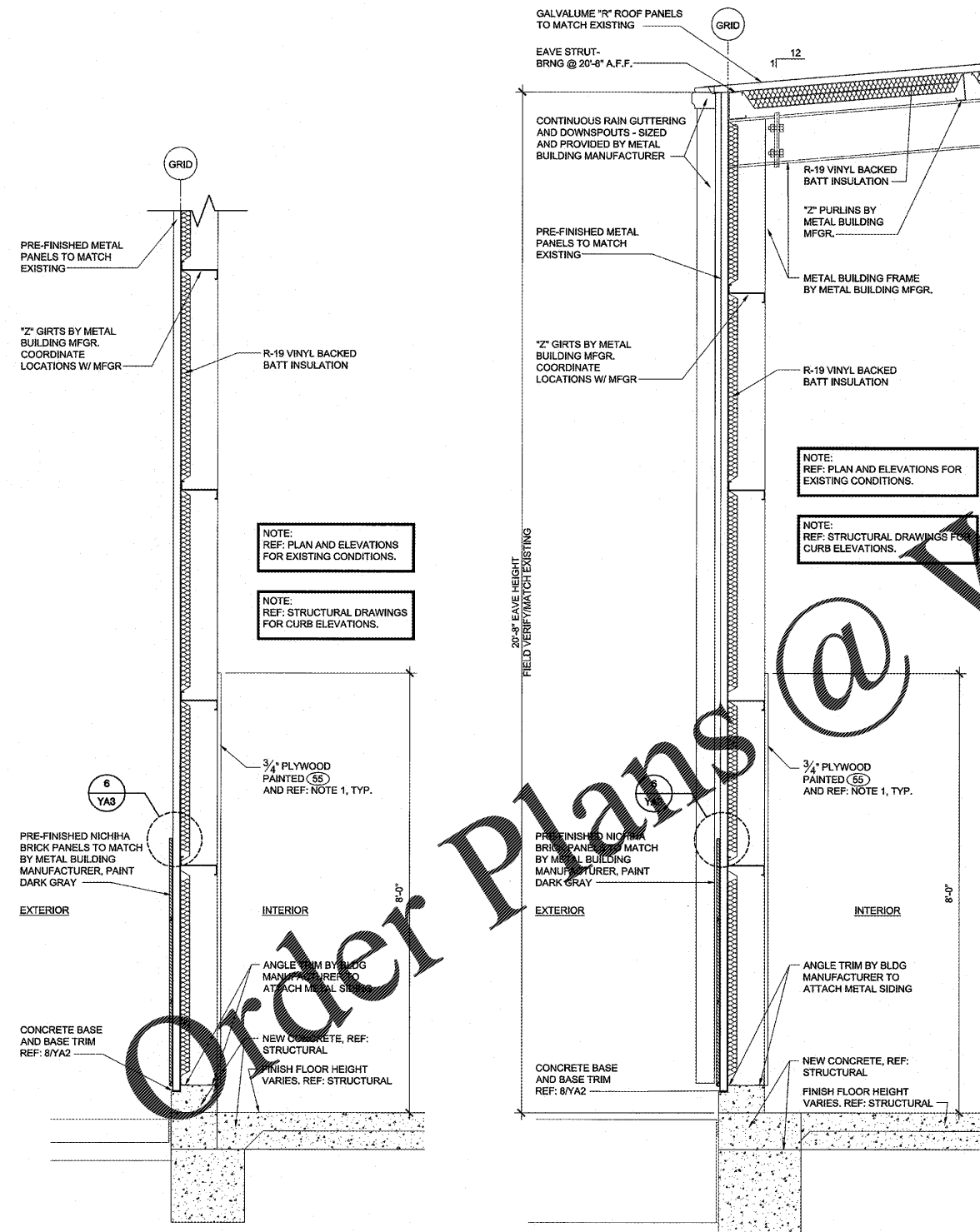
ISSUE BLOCK

1	06/24/19	ADD 1

STORE NO.	718
DOCUMENT DATE	04/11/19
CHECKED BY:	ELR
DRAWN BY:	KEL
PROTO CYCLE:	

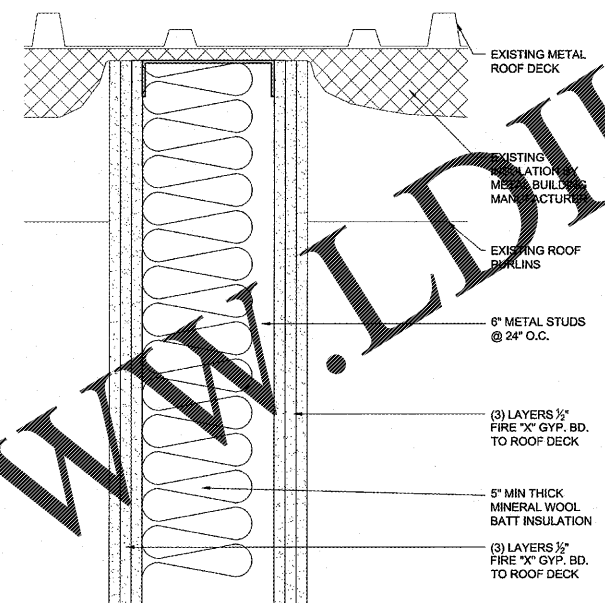
WALL SECTIONS AND DETAILS

SHEET: YA2.1

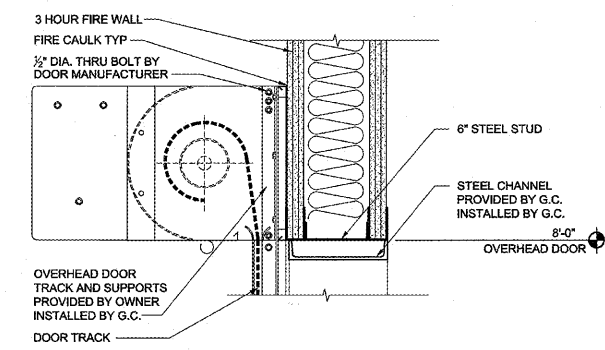


6 WALL SECTION
 SCALE: 3/4" = 1'-0"

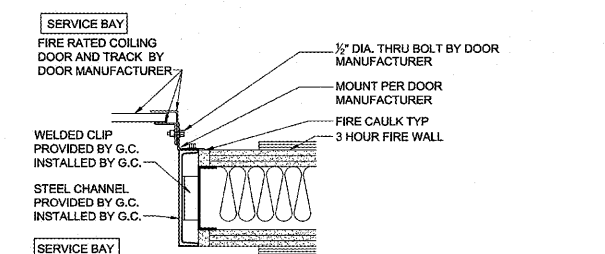
5 WALL SECTION
 SCALE: 3/4" = 1'-0"



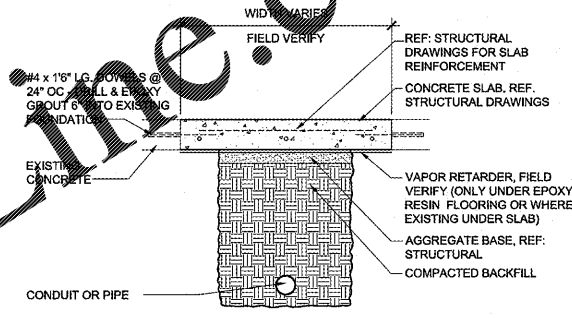
4 FURRING DETAIL
 Scale: 3" = 1'-0"



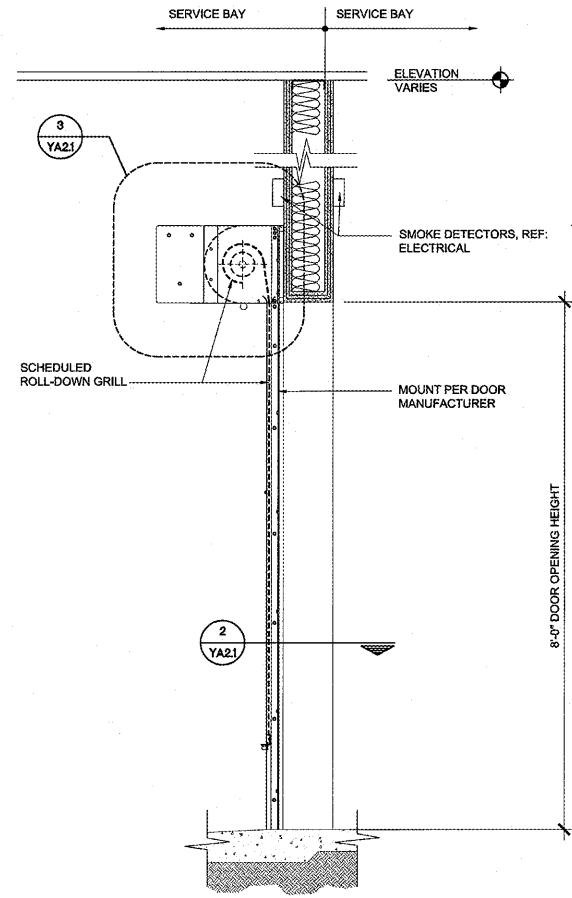
3 OHD HEAD DETAIL
 Scale: 1 1/2" = 1'-0"



2 OHD JAMB DETAIL
 Scale: 1 1/2" = 1'-0"



7 TRENCHING DETAILS
 SCALE: 3/4" = 1'-0"



1 SECTION AT ROLLING FIRE DOOR
 Scale: 1/2" = 1'-0"

Jun26:2019:12:48pm - User: admin:uiff
 M:\0305-19-50718-Loves-Travel-Stop-Country-Stores-1127-Tyson-Rd-AL-36043\DWG\1127-TYSON-RD-AL-36043-WALL-SECTIONS-AND-DETAILS.dwg