

13 JAMB DETAIL
SCALE: 1 1/2" = 1'-0"

12 HEAD DETAIL
SCALE: 1 1/2" = 1'-0"

DOOR FINISH SCHEDULE (HM DOORS PROVIDED BY PRE-ENGINEERED METAL BUILDING MANUFACTURER)
DETAIL REFERENCES ARE TO SHEET YA-2 UNO

MK	TYPE	SIZE	MATERIAL	FINISH	FRAME	FINISH	GLAZING	HEAD	JAMB	THRESH	REMARKS
101A	C	8'-0"x8'-0"	ROLL UP DOOR	---	---	---	NONE	3/YA2.1	2/YA2.1	---	NOTE 1 & 4
101B	A	3'-0"x7'-0"x1 3/4"	INSUL	HM 16 GA	---	PRE-FINISH	NONE	12/YA2	13/YA2	---	NOTE 2, 3-HR FIRE RATED
101C	C	8'-0"x8'-0"	ROLL UP DOOR	---	---	---	NONE	3/YA2.1	2/YA2.1	---	NOTE 1 & 4
103A	A	3'-0"x7'-0"x1 3/4"	INSUL	HM 16 GA	---	PRE-FINISH	---	9	10	---	NOTE 2 & 5
110A	B	16'-0"x16'-0"	OHD	---	---	---	WINDOW PORTS (4)	5	6	---	NOTE 1 & 3
110B	B	16'-0"x16'-0"	OHD	---	---	---	WINDOW PORTS (4)	5	6	---	NOTE 1 & 3
110C	B	3'-0"x7'-0"x1 3/4"	INSUL	HM 16 GA	---	PRE-FINISH	---	3	4	7	NOTE 2
110D	B	3'-0"x7'-0"x1 3/4"	INSUL	HM 16 GA	---	PRE-FINISH	---	3	4	7	NOTE 2

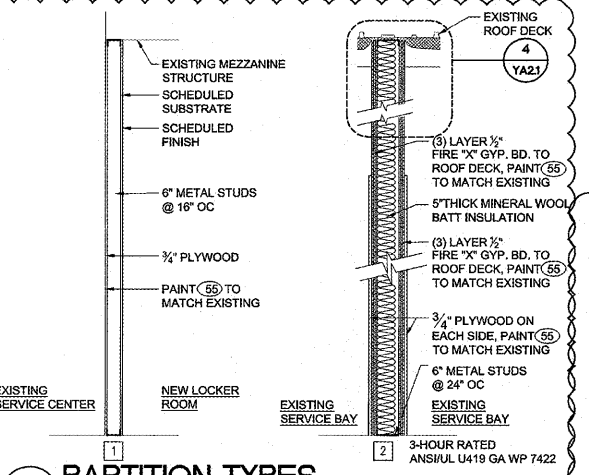
NOTES:
 1. OVERHEAD DOOR TO HAVE ELECTRICAL OPERATOR, PROVIDED AND INSTALLED BY OWNER
 2. EGRESS DOORS SHALL BE READILY OPENABLE WITH LEVER STYLE HANDLE FROM THE EGRESS SIDE WITHOUT USE OF A KEY OR SPECIAL KNOWLEDGE
 3. CLOPAY CONTACT: JESSICA WICK; EMAIL: CSI@CLOPAY.COM; PHONE: 800-526-4301
 4. "RAYNOR" ROLLING SERVICE FIRE DOOR, OVERHEAD DOOR TO HAVE CHAIN HOIST, MODEL: #UF22 3-HOUR RATED PROVIDED AND INSTALLED BY GC
 5. 12"x12" LOUVER.

INTERIOR FINISHES

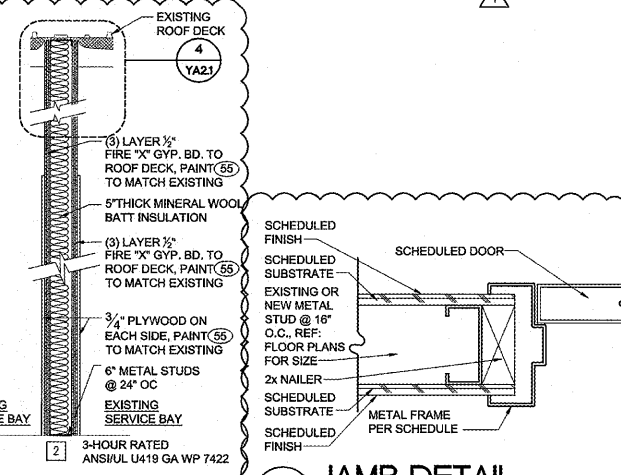
NO.	TYPE	DESCRIPTION	REMARKS
53	PAINT	SHERWIN WILLIAMS SW 7038 TONY TAUPE	SATIN FINISH
54	PAINT	SHERWIN WILLIAMS SW 7019 GAUNTLET GRAY	
55	PAINT	SHERWIN WILLIAMS - SW 6990 CAVIAR	SATIN FINISH, TYPICAL PLYWOOD WALLS
56	PAINT	SHERWIN WILLIAMS - SW 7020 BLACK FOX	

ROOM FINISH SCHEDULE (VERIFY FINISHES)

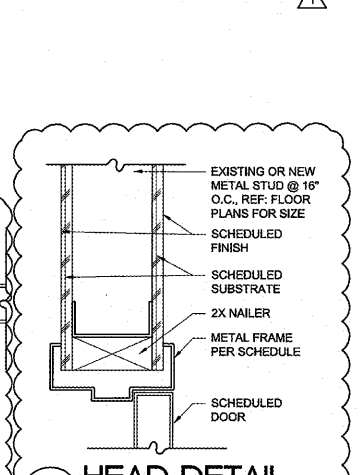
MK	DESCRIPTION	FLOOR	BASE	WALL 1	WALL 2	WALL 3	WALL 4	CEILING	HEIGHT	REMARKS
101	EXISTING SERVICE BAY	EXPOSED CONCRETE	---	ETR	GYP. BD. (55) PLYWOOD (55)	ETR	ETR	EXPOSED STRUCTURE	---	REF: ELEVATIONS
110	NEW MECHANIC'S BAYS	EXPOSED CONCRETE	---	3/4" PLYWOOD (55)	ETR	3/4" PLYWOOD (55)	3/4" PLYWOOD (55)	EXPOSED STRUCTURE	---	REF: ELEVATIONS
111	NEW CHANGING ROOM	3/4" PLYWOOD	---	PLYWOOD	ETR	ETR/3/4" PLYWOOD (55)	---	EXPOSED STRUCTURE	---	
112	EXISTING SERVICE BAY	EXPOSED CONCRETE	---	ETR	OPEN	ETR	GYP. BD. (55) PLYWOOD (55)	EXPOSED STRUCTURE	---	REF: ELEVATIONS



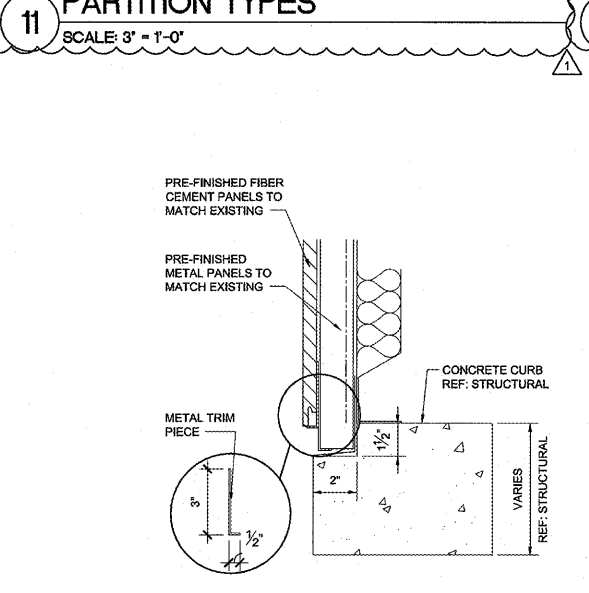
11 PARTITION TYPES
SCALE: 3" = 1'-0"



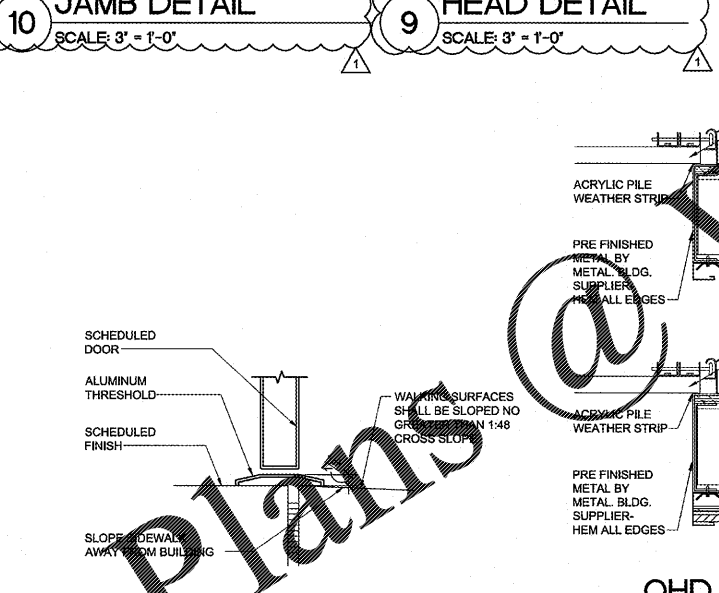
10 JAMB DETAIL
SCALE: 3" = 1'-0"



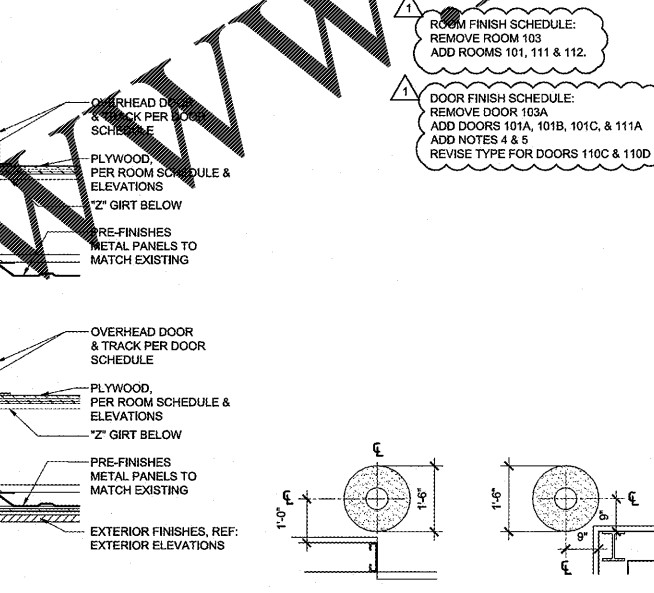
9 HEAD DETAIL
SCALE: 3" = 1'-0"



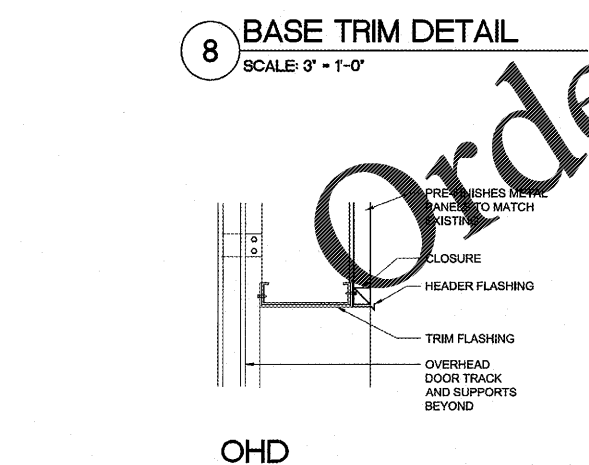
8 BASE TRIM DETAIL
SCALE: 3" = 1'-0"



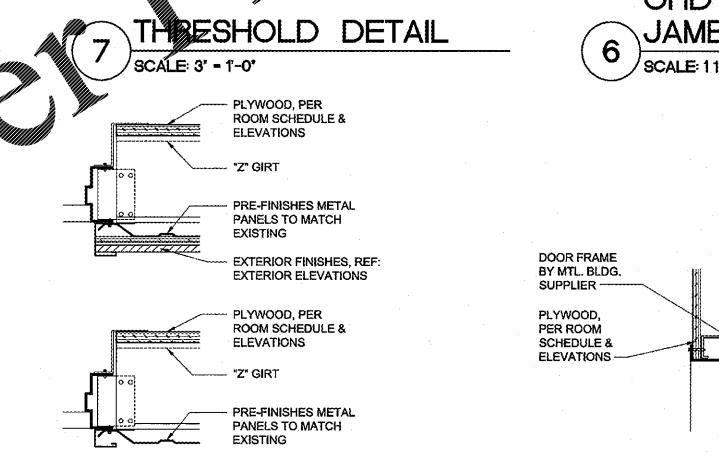
7 THRESHOLD DETAIL
SCALE: 3" = 1'-0"



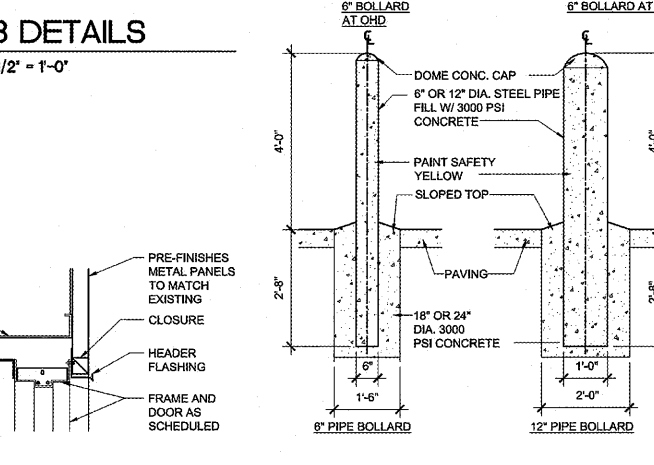
6 OHD JAMB DETAILS
SCALE: 1 1/2" = 1'-0"



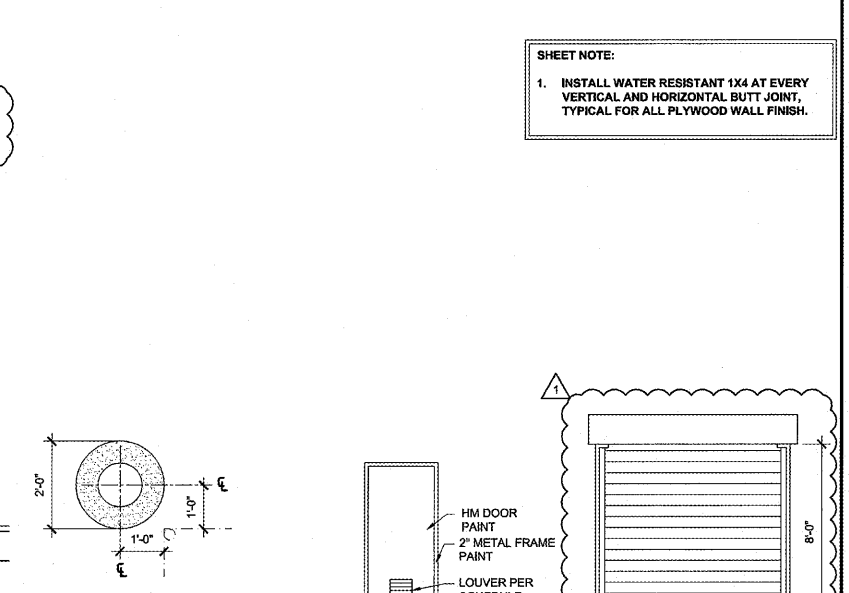
5 OHD HEAD DETAIL
SCALE: 1 1/2" = 1'-0"



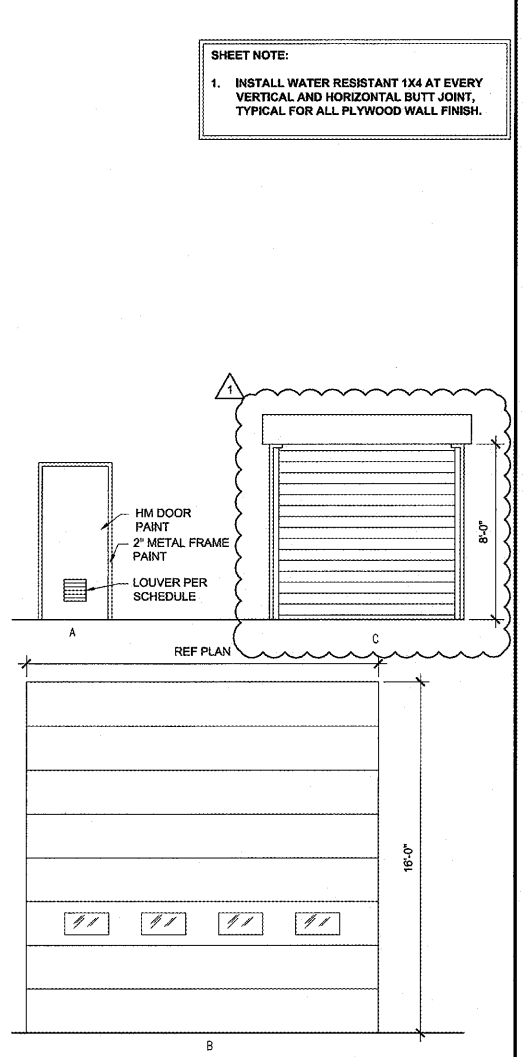
4 JAMB DETAILS
SCALE: 1 1/2" = 1'-0"



3 HEAD DETAIL
SCALE: 1 1/2" = 1'-0"



2 BOLLARD DETAILS
SCALE: 1/2" = 1'-0"



1 DOOR ELEVATIONS
SCALE: 1/4" = 1'-0"

SHEET NOTE:
 1. INSTALL WATER RESISTANT 1X4 AT EVERY VERTICAL AND HORIZONTAL BUTT JOINT, TYPICAL FOR ALL PLYWOOD WALL FINISH.

ROOM FINISH SCHEDULE:
 REMOVE ROOM 103
 ADD ROOMS 101, 111 & 112

DOOR FINISH SCHEDULE:
 REMOVE DOOR 103A
 ADD DOORS 101A, 101B, 101C, & 111A
 ADD NOTES 4 & 5
 REVISE TYPE FOR DOORS 110C & 110D

HFA ARCHITECTS ENGINEERS
 HARRISON FRENCH & ASSOCIATES, LTD.
 1705 S. Walton Blvd., Suite 3
 Bentonville, Arkansas 72712
 479.273.7780
 479.273.7780
 www.hfa-ae.com

STIPULATION FOR REUSE:
 THIS DRAWING WAS PREPARED FOR THE PROJECT AND SITE SPECIFICALLY IDENTIFIED. IT IS NOT TO BE REUSED FOR ANY OTHER PROJECT WITHOUT THE WRITTEN PERMISSION OF THE ARCHITECT. ANY REUSE OF THIS DRAWING FOR ANY OTHER PROJECT WITHOUT THE WRITTEN PERMISSION OF THE ARCHITECT IS STRICTLY PROHIBITED AND WILL BE CONSIDERED A VIOLATION OF THE ARCHITECT'S PROFESSIONAL ETHICS AND OATH.

1127 TYSON RD
 HOPE HULL, AL 36043
SPEEDCO REMODEL
 PROJECT NUMBER: 03-19-0718

Loves
 Travel Stop & Country Stores

STATE OF ALABAMA
 BRUCE L. EBBERCH
 REGISTERED ARCHITECT
 7255
 06/26/19

ISSUE BLOCK

NO.	DATE	DESCRIPTION
1	06/24/19	ADD 1

STORE NO.	718
DOCUMENT DATE:	04/11/19
CHECKED BY:	JEM
DRAWN BY:	KEL
PROTO CYCLE:	

SCHEDULES, WALL SECTIONS, AND DETAILS

SHEET: **YA2**

06/26/2019 12:38pm - User: sbruce
 C:\Users\bruce\AppData\Local\Temp\p4p4p4p4\966A1231\YS SCHEDULES, WALL SECTIONS, AND DETAILS.dwg