

HARRISON FRENCH
& ASSOCIATES, LTD

1705 S. Walton Blvd., Suite 3
Bentonville, Arkansas 72712
t: 479.273.7780
f: 888.520.9685
www.hfa-ae.com

STIPULATION FOR REUSE
THIS DRAWING HAS BEEN REPRODUCED FOR USE ON THE PROJECT AS SHOWN. IT IS THE USER'S RESPONSIBILITY TO VERIFY THE ACCURACY OF THE INFORMATION AND TO OBTAIN NECESSARY PERMISSIONS FROM THE ORIGINAL AUTHOR OR OWNER FOR ANY REUSE OF THIS DRAWING FOR OTHER PROJECTS OR PURPOSES. THE USER SHALL BE RESPONSIBLE FOR OBTAINING ALL NECESSARY PERMISSIONS FROM THE ORIGINAL AUTHOR OR OWNER FOR ANY REUSE OF THIS DRAWING FOR OTHER PROJECTS OR PURPOSES.

1127 TYSON RD
HOPE HULL, AL 36043
SPEEDCO REMODEL
PROJECT NUMBER: 03-19-80718

Love's
Travel Stop &
Country Stores



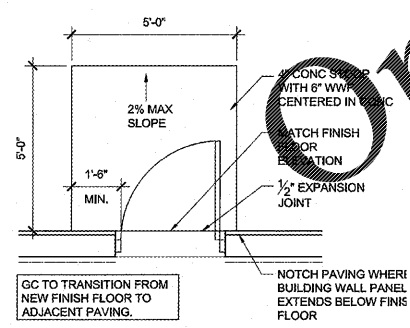
ISSUE BLOCK

NO.	DATE	DESCRIPTION
1	06/24/19	ADD 1

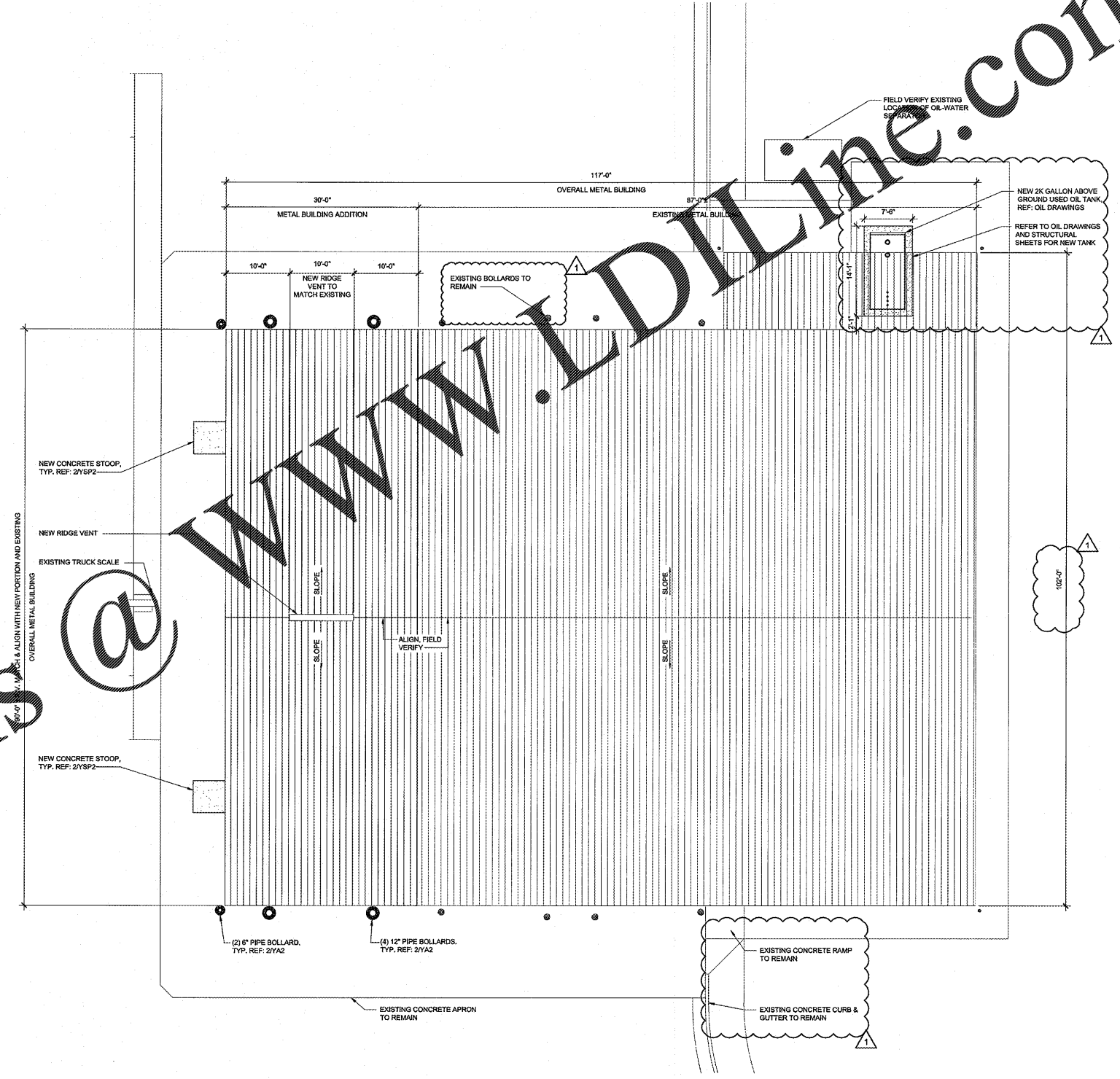
STORE NO.	718
DOCUMENT DATE:	04/11/19
CHECKED BY:	JEM
DRAWN BY:	KEL
PROTO CYCLE:	

ENLARGED SITE PLAN & DETAILS

SHEET:
YSP2



2 STOOP DETAIL
SCALE: 3/8" = 1'-0"



1 SITE PLAN
SCALE: 1/8" = 1'-0"

REFER TO CIVIL SHEETS FOR EXTENT OF SITE WORK

IMPORTANT! GENERAL CONTRACTOR SHALL LOCATE ALL UNDERGROUND UTILITIES BEFORE STARTING SITE WORK

www.LDILine.com