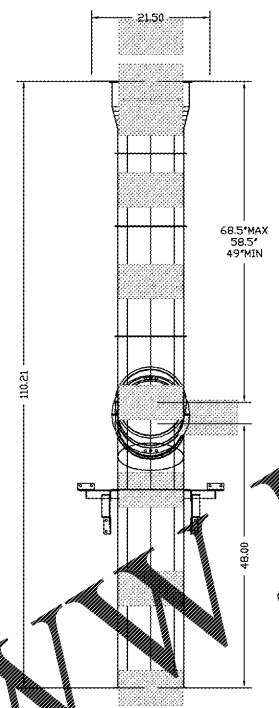


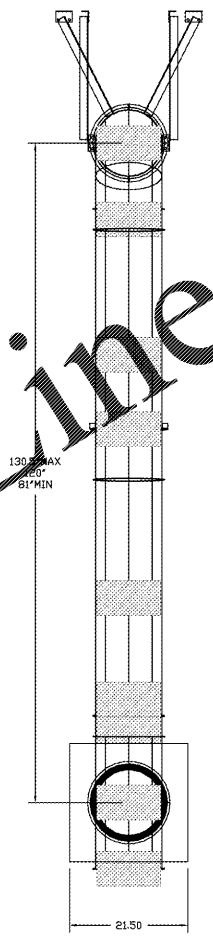
GREASE DUCT SPECIFICATIONS:
 PROVIDE GREASE DUCT EQUAL TO CAPTIVEAIRE SYSTEMS MODEL "DW" ROUND 20 GAUGE 430 STAINLESS STEEL DUCTWORK. MODEL "DW" IS LISTED TO UL-1978 AND IS INSTALLED USING "V" CLAMP LOCKING CONNECTIONS SEALED WITH 3M FIRE BARRIER 2000 PLUS. MODEL "DW" DOES NOT REQUIRE WELDING PROVIDING IT HAS BEEN INSTALLED PER THE MANUFACTURES INSTALLATION GUIDE.
 PROVIDE RATED ACCESS DOORS AT EVERY CHANGE IN DIRECTION AND EVERY 12' ON CENTER. PER MANUFACTURES LISTING MODEL "DW" HORIZONTAL RUNS LESS THAN 75 FT. CAN BE SLOPED 1/16" PER 12", HORIZONTAL RUNS MORE THAN 75 FT. CAN BE SLOPED 3/16" PER 12". DUCT SHOULD BE SLOPED AS MUCH AS POSSIBLE TO REDUCE THE CHANCE OF GREASE ACCUMULATION IN HORIZONTAL RUNS.
 IF THE DUCT IS WITHIN 18 INCHES OF COMBUSTIBLE MATERIAL, PROVIDE UL-2221 LISTED DOUBLE WALL GREASE DUCT EQUAL TO CAPTIVEAIRE SYSTEMS MODEL "DW- 2R, 3R, OR 3Z" ROUND 20 GAUGE 430 STAINLESS INNER DUCT INSULATED WITH A 24 GAUGE 430 STAINLESS OUTER SHELL.

DuctWork shown as an example. Actual lengths will vary depending on jobsite conditions.
 Single walled duct shown. Double Walled available upon request.

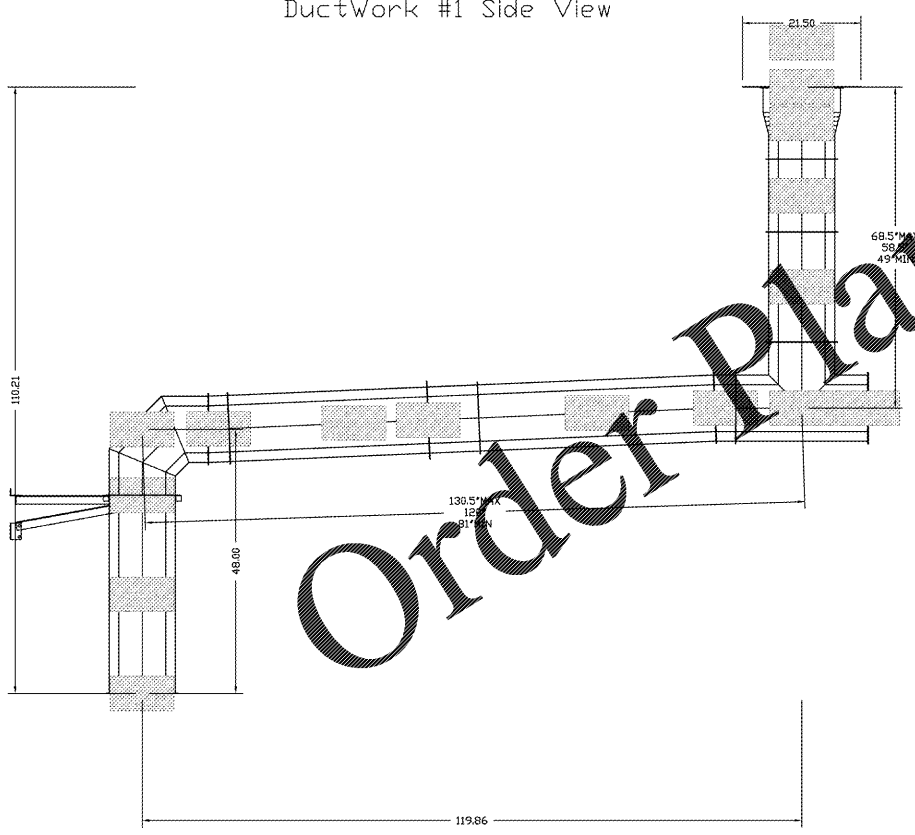
DuctWork #1 Front View



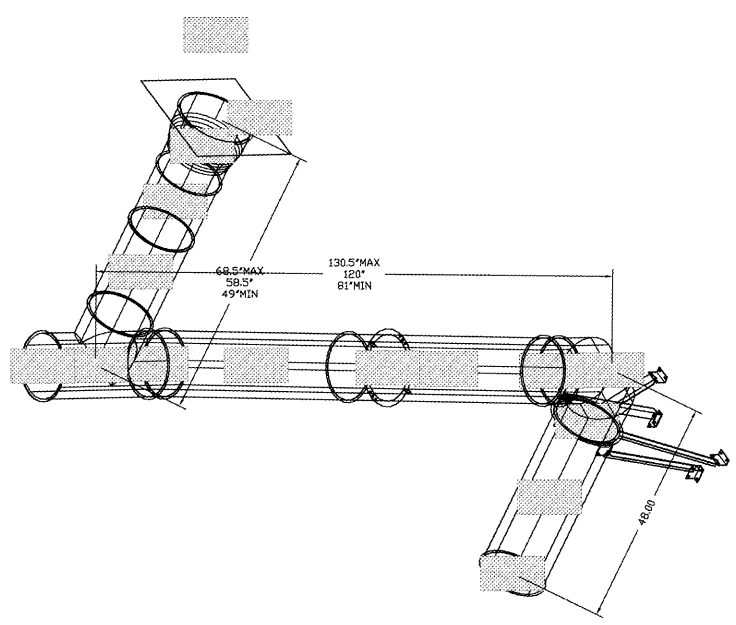
DuctWork #1 Top View



DuctWork #1 Side View



DuctWork #1 SE View



REVISIONS	
DESCRIPTION	DATE

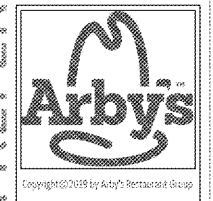
CAPTIVEAIRE
 Atlanta Office
 1395 S. Marietta Pkwy, Bldg 100, Ste 105, Marietta, GA 30067
 PHONE: (800) 882-6626 FAX: (919) 227-5904 EMAIL: reg50@captiveaire.com

red
 174 east long street
 suite 303
 columbus, ohio 43215
 tel: 614.487.8770
 fax: 614.487.8777

Arby's - Proto 9-27-16

DATE: 9/28/2016
 DWG.#: 2788398
 DRAWN BY: WAH-50
 SCALE: 3/4" = 1'-0"
 MASTER DRAWING

SHEET NO. 4



ARBY'S RESTAURANT
 INSPIRE WORKSMART 2400
 2385 LEN PATTERSON RD
 FORT MILL, SC 29708
 FOR ARUNAH RESTAURANT GROUP, LLC
 40 SEMINGLE STREET, ASHEVILLE, NC 28803

ISSUE	DATE
OWNER REVIEW	AUG 7, 2016

SHEET H1.4

NOT FOR CONSTRUCTION, FOR REFERENCE ONLY

Order Plans @ WWW.LDILINE.COM