

EXHAUST FAN INFORMATION - Job#2788398

FAN UNIT NO.	TAG	FAN UNIT MODEL #	CFM	ESP.	RPM	H.P.	B.H.P.	Ø	V.D.L.T.	FLA	WEIGHT (LBS.)	SONES
1	EF-1	DU50HFA	1200	0.750	1320	0.500	0.2560	1	115	8.4	65	14.3
2	EF-2	DR10HFA	200	0.250	1111	0.060	0.0270	1	115	1.1	33	2.8

FAN OPTIONS

FAN UNIT NO.	TAG	OPTION (Qty. - Descr.)
1	EF-1	1 - Grease Box

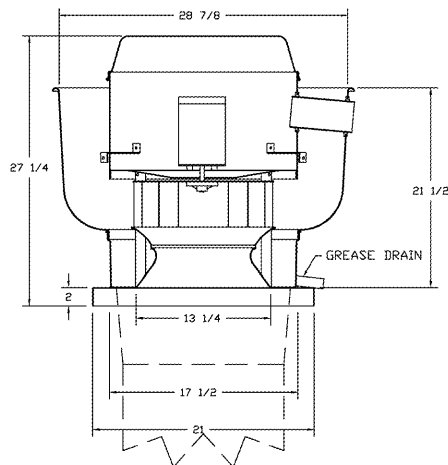
FAN ACCESSORIES

FAN UNIT NO.	TAG	EXHAUST				SUPPLY			
		GREASE CUP	GRAVITY DAMPER	WALL MOUNT	SIDE DISCHARGE	GRAVITY DAMPER	MOTORIZED DAMPER	WALL MOUNT	
1	EF-1	YES							
2	EF-2								

CURB ASSEMBLIES

NO.	DN FAN	WEIGHT	ITEM	SIZE
1	# 1	31 LBS	Curb	19.500"W x 19.500"L x 20.000"H Vented Hinged
2	# 2	16 LBS	Curb	17.500"W x 17.500"L x 12.000"H

FAN #1 DU50HFA - EXHAUST FAN (EF-1)



FEATURES:

- DIRECT DRIVE CONSTRUCTION (NO BELTS/PULLEYS)
- ROOF MOUNTED FANS
- RESTAURANT MODEL
- UL705 AND UL762
- VARIABLE SPEED CONTROL
- INTERNAL WIRING
- WEATHERPROOF DISCONNECT
- THERMAL OVERLOAD PROTECTION (SINGLE PHASE)
- HIGH HEAT OPERATION 300°F (149°C)
- GREASE CLASSIFICATION TESTING

NORMAL TEMPERATURE TEST

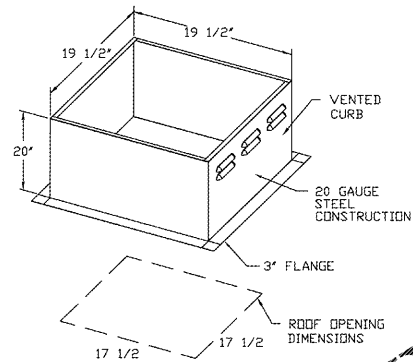
EXHAUST FAN MUST OPERATE CONTINUOUSLY WHILE EXHAUSTING AIR AT 300°F (149°C) UNTIL ALL FAN PARTS HAVE REACHED THERMAL EQUILIBRIUM, AND WITHOUT ANY DETERIORATING EFFECTS TO THE FAN WHICH WOULD CAUSE UNSAFE OPERATION.

ABNORMAL FLARE-UP TEST

EXHAUST FAN MUST OPERATE CONTINUOUSLY WHILE EXHAUSTING BURNING GREASE VAPORS AT 600°F (316°C) FOR A PERIOD OF 15 MINUTES WITHOUT THE FAN BECOMING DAMAGED TO ANY EXTENT THAT COULD CAUSE AN UNSAFE CONDITION.

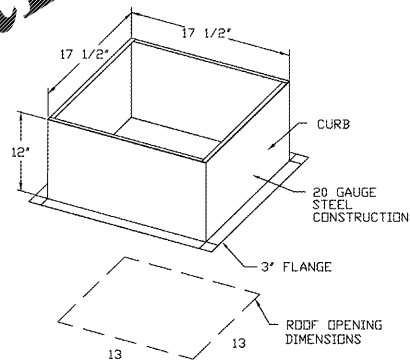
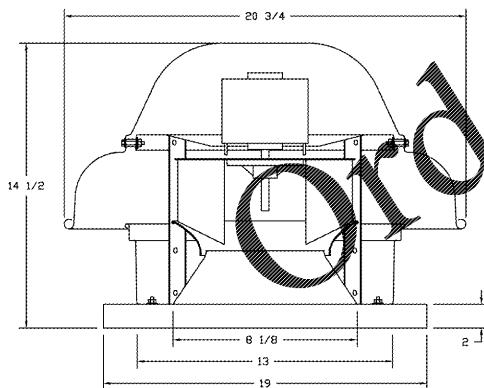
OPTIONS

GREASE BOX



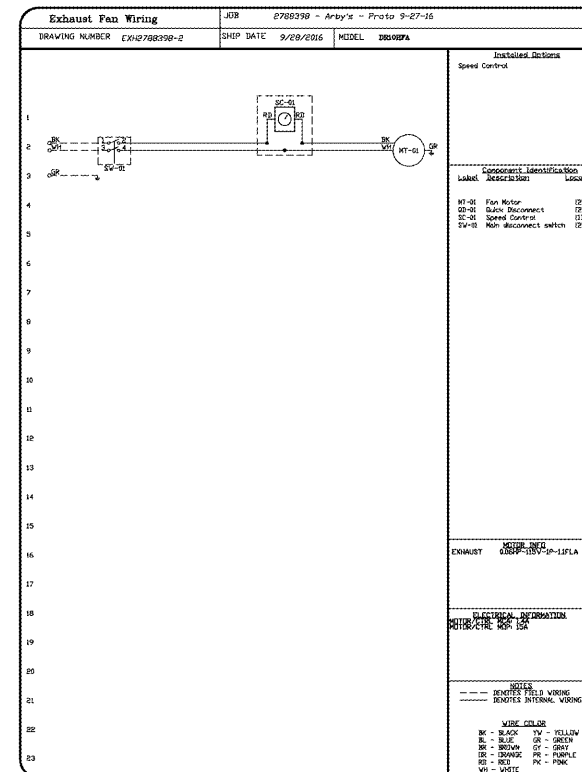
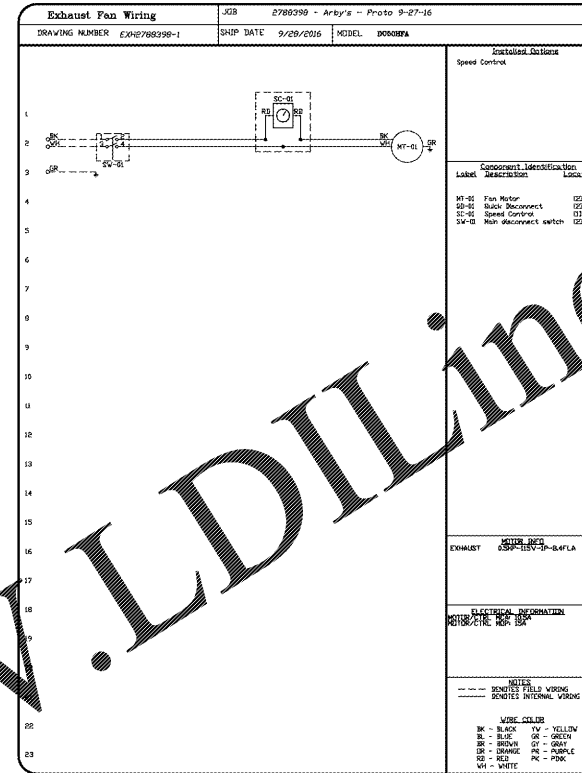
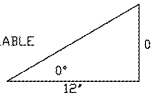
FEATURES:

- DIRECT DRIVE CONSTRUCTION (NO BELTS/PULLEYS)
- ROOF MOUNTED FANS
- WEATHERPROOF DISCONNECT
- STANDARD WIRE SCREEN
- SPEED CONTROL



PITCHED CURBS ARE AVAILABLE FOR PITCHED ROOFS.

SPECIFY PITCH:
EXAMPLE: 7/12 PITCH = 30° SLOPE



REVISIONS

NO.	DESCRIPTION	DATE
1		
2		
3		

CAPTIVE

Atlanta Office
 174 east long street
 columbus, ohio 43215
 tel: 614.487.8770
 fax: 614.487.8777

Arby's - Proto 9-27-16

PROJECT NUMBER: ARF149

DATE: 9/28/2016

DWG.#: 2788398

DRAWN BY: WAH-50

SCALE: 3/4" = 1'-0"

MASTER DRAWING

SHEET NO.
2

Arby's

INSPIRE WORKSMART 2400
 2385 LEN PATTERSON RD
 FORT MILL, SC 29708

FOR ARUNAH RESTAURANT GROUP, LLC
 40 SEMINGLE STREET, ASHEVILLE, NC 28803

NOT FOR CONSTRUCTION, FOR REFERENCE ONLY

H1.2