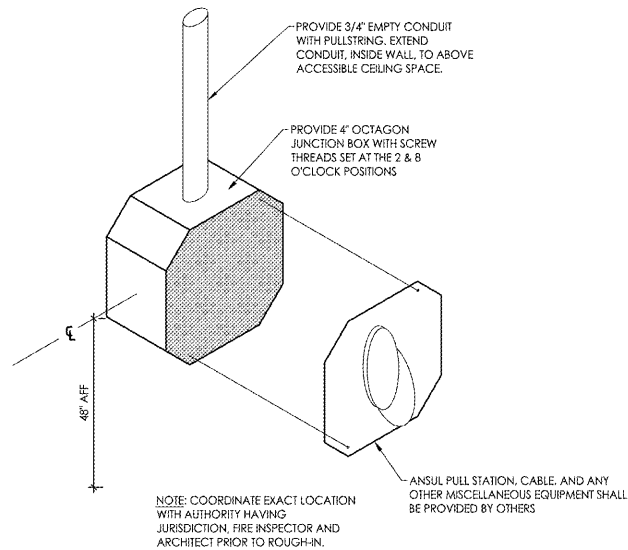


5 SHUNT TRIP WIRING DIAGRAM  
N.T.S.

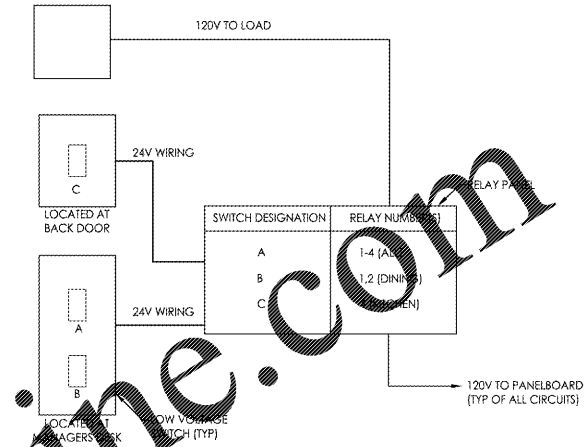


4 ANSUL PULL STATION  
N.T.S.

RELAY	CIRCUIT NUMBER	AREA CONTROLLED	CONTROL	VOLTS
1	C-21	DINING LIGHTING	LVS/TC	120
2	C-23	DINING LIGHTING	LVS/TC	120
3	C-25	SERVICE LIGHTING	LVS/TC	120
4	C-27	KITCHEN LIGHTING	LVS/TC	120
5	C-33	EXTERIOR LIGHTING	TC/PC	120
6	C-35	EXTERIOR LIGHTING	TC/PC	120
7	C-31	SIGNAGE	TC/PC	120
8	C-37	SIGNAGE	TC/PC	120
9	C-41	SIGNAGE	TC/PC	120
10	C-16	SHOW WINDOW	TC	120
11	C-29	SHOW WINDOW	TC	120
12	A-21	SITE LIGHTING	TC/PC	120
13	A-23	SITE LIGHTING	TC/PC	120
14	A-25	SITE LIGHTING	TC/PC	120
15	A-27	SITE LIGHTING	TC/PC	120
16		SPARE		120

TC = TIME CLOCK  
PC = PHOTOCELL  
LVS = LOW VOLTAGE SWITCH

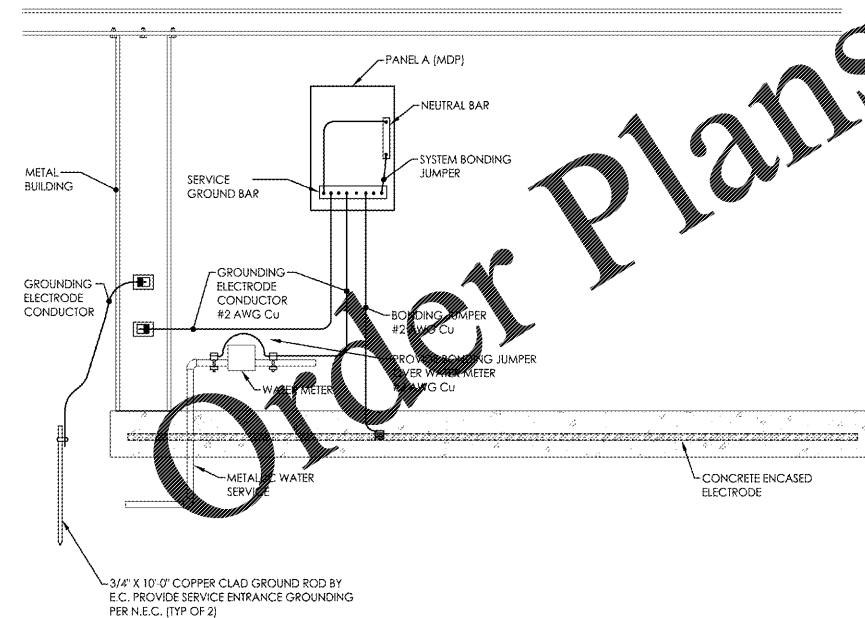
2 CONTROL WIRING DIAGRAM  
N.T.S.



NOTE:  
THE ELECTRICAL CONTRACTOR IS TO APPLY AN "ARC FLASH WARNING LABEL" TO BOTH THE DISCONNECT ENCLOSURE AND THE INTERIOR PANELBOARD. THE LABEL SHOULD BE SIMILAR TO COMPLIANCE SIGNS #AWE-7913 "WARNING ARC FLASH HAZARD, DISCONNECT MAIN POWER BEFORE SERVICING EQUIPMENT" TO COMPLY WITH NEC 110.16. APPROPRIATE PIPE REQUIRED WHEN WORKING ON ENERGIZED EQUIPMENT.

GROUNDING ELECTRODE DETAIL GENERAL NOTES:

- A. ALL GROUNDING ELECTRODES PRESENT SHALL BE BONDED TOGETHER.
- B. ALL GROUNDING ELECTRODE CONDUCTORS SHALL BE SIZED PER NEC TABLE 250.66 UNLESS NOTED OTHERWISE.
- C. GROUND RING SHALL BE #2 CU MINIMUM WITH FULL SIZE BONDING JUMPER.
- D. ALL BONDING JUMPERS SHALL BE SIZED PER NEC TABLE 250.122 UNLESS NOTED OTHERWISE.
- F. THIS DETAIL SHOWS ALL SUPPLEMENTAL GROUNDING METHODS. PER NEC 250.52(A)(1) ONE OF THE METHODS SHOWN MUST SUPPLEMENT BONDING TO WATER METER.

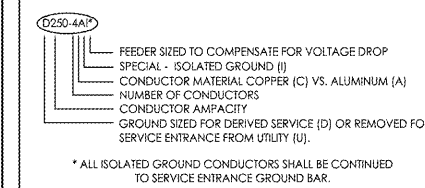


3 GROUNDING ELECTRODE SYSTEM DETAIL  
N.T.S.

GENERAL ONE LINE NOTES:

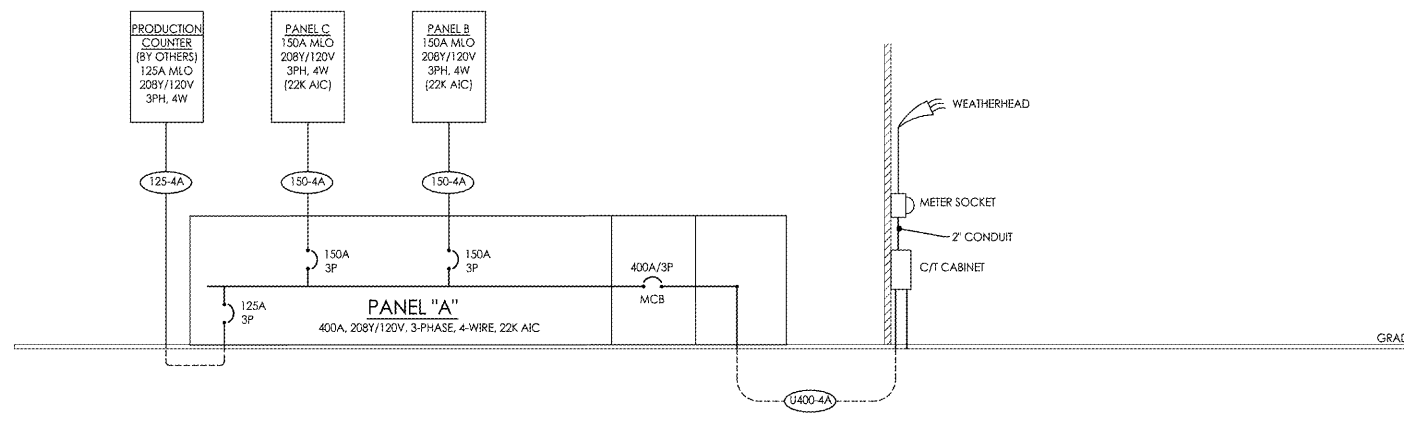
- A. PARALLEL ELECTRICAL CONDUCTORS SHALL BE CUT TO EXACTLY THE SAME LENGTHS AND SHALL BE IDENTICAL IN THE SAME RISK. ALL CONNECTIONS FOR SAME SHALL BE TIGHT TO IDENTICAL SPECIFICATIONS.
- B. EXTERIOR ELECTRICAL WORK SHALL NOT ONLY BE WEATHERPROOF AND WATER-TIGHT, BUT SHALL ALSO BE NON-RESISTANT.
- C. CONDUCTORS BELOW GRADE OR SUBJECT TO MOISTURE SHALL BE "90HHW-Z".
- D. PROVIDE FACTORY SERIES COORDINATION FOR ALL CIRCUIT BREAKERS (INCLUDING ALL BRANCH BREAKERS) RELATIVE TO "UPSTREAM" BREAKERS, SO THAT ONLY THE BREAKER CLOSEST IN THE CIRCUIT TO THE LOAD TRIPS UPON AN OVERLOAD OR FAULT CONDITION.
- F. GROUNDING ELECTRODE CONDUCTORS SHALL BE PROVIDED IN STRICT COMPLIANCE WITH N.E.C., INCLUDING N.E.C. ARTICLE 250 AND TABLE 250.66.
- G. EQUIPMENT GROUNDING CONDUCTORS SHALL BE PROVIDED IN STRICT COMPLIANCE WITH N.E.C., INCLUDING N.E.C. ARTICLE 250 AND TABLE 250.122. THESE CONDUCTORS MAY NOT BE INDICATED ON RISERS OR SINGLE-LINES, BUT SHALL BE PROVIDED UNDER BASE BID NEVERTHELESS.
- H. WORKING CLEARANCES SHALL BE PROVIDED FOR ALL ELECTRICAL EQUIPMENT (SWITCHBOARDS, PANELBOARDS, TRANSFORMERS, STARTERS, DISCONNECTS, ETC.) AS APPLICABLE IN STRICT COMPLIANCE WITH N.E.C. CHAPTER 1 PART 8 SECTION 110.26(H). LOCATIONS SHOWN ON FLOOR PLANS ARE SCHEMATIC AND DIAGRAMMATIC IN NATURE. THE ELECTRICAL CONTRACTOR SHALL BE RESPONSIBLE FOR ENSURING COMPLIANCE WITH THE ABOVE N.E.C. REFERENCE. THIS REQUIREMENT APPLIES TO EQUIPMENT ON FLOOR PLANS AS WELL AS TO EQUIPMENT SHOWN ON RISER.
- I. HOLD ALL NEW OVERHEAD ELECTRICAL WORK AS TIGHT AS POSSIBLE TO THE BOTTOM OF THE OVERHEAD STRUCTURE. LOCATE ANY RELATED PULLBOXES SO THAT THEY WILL BE FULLY ACCESSIBLE AFTER ALL CONSTRUCTION WORK IS COMPLETE. AS WITH ALL WORK, COORDINATE IN ADVANCE WITH ALL OTHER TRADES.
- J. ALL PANELS HAVE NEMA 1 ENCLOSURES UNLESS OTHERWISE NOTED.
- K. ALL PANELS ARE FLUSH MOUNTED UNLESS OTHERWISE NOTED.
- L. NEW ELECTRICAL PANELBOARD FRAME AND BREAKER A.I.C. RATINGS TO MATCH EXISTING PANELBOARD AND BREAKER A.I.C. RATINGS.
- M. ELECTRICAL CONTRACTOR TO VERIFY PANEL LOADING WITH NEW CIRCUITS AND INSTALL NEW CIRCUIT DESCRIPTION CARDS.
- N. IF FAULT CURRENT AND SCA VALUES NOT INDICATED, ELECTRICAL CONTRACTOR SHALL COORDINATE WITH LOCAL UTILITY COMPANY AND SIZE BREAKERS ACCORDINGLY.

CONDUCTOR NOMENCLATURE



ONE LINE RISER WIRE SIZES

- (125-4A) (4) #2/0 AWG AL, #4 AWG AL GROUND IN 2-1/2" CONDUIT
- (150-4A) (4) #3/0 AWG AL, #4 AWG AL GROUND IN 2" CONDUIT
- (U400-4A) (2) SETS OF (4) #250 KCMIL IN 3" CONDUIT EACH



1 ONE LINE RISER DIAGRAM  
N.T.S.

red  
architecture + planning  
174 east long street  
suite 300  
columbus, ohio 43215  
tel: 614.487.8770  
fax: 614.487.8777

PROPRIETARY INFORMATION NOTICE:  
THESE PROTOTYPICAL DOCUMENTS MAY REQUIRE REVISIONS TO CONFORM TO LOCAL, STATE, AND FEDERAL CODES, ORDINANCES OR OTHER CONDITIONS. THE DESIGN CONCEPTS EMBODIED IN THESE DOCUMENTS ARE THE SOLE PROPERTY OF ARBY'S RESTAURANT GROUP. THIS INFORMATION IS CONFIDENTIAL AND PROPRIETARY AND IS NOT TO BE COPIED, REPRODUCED, DISCLOSED OR OTHERWISE TRANSFERRED TO OTHER PARTIES IN ANY FORM WHATSOEVER WITHOUT THE EXPRESS WRITTEN CONSENT OF ARBY'S RESTAURANT GROUP.



ARBY'S RESTAURANT  
INSPIRE WORKSMART 2400  
2385 LEN PATTERSON RD  
FORT MILL, SC 29708  
FOR  
BRUMIT RESTAURANT GROUP, LLC  
40 SEMINOLE STREET, ASHEVILLE, NC 28803

PROJECT NUMBER: ARF149	
ISSUE	DATE
OWNER REVIEW	AUG 7, 2019

DIAGRAMS AND DETAILS  
ELECTRICAL

SHEET:

E4.1

NOT FOR CONSTRUCTION, FOR REFERENCE ONLY