

PACKAGED ROOFTOP UNIT SCHEDULE																							
BASED ON CARRIER U.N.O.																							
UNIT DATA			PERFORMANCE DATA							COOLING DATA					HEATING DATA				ELECTRICAL DATA				
TAG	MODEL	FUNCTION	NOMINAL TONS	EFFICIENCY (EER)	TOTAL CFM	MIN. OA CFM	ESP (IN. WC)	TSP (IN. WC)	SUPPLY FAN (HP)	TOTAL MBH	SENSIBLE MBH	E.A.T (°F) DB/WB	REFRIG.	INPUT (MBH)	OUTPUT (MBH)	ΔT (°F)	FUEL TYPE	VOLT	PH	MCA	MOCF	RTU WEIGHT	COMMENTS
RTU-1	48HCRD08	DINING AREA	7.5	12.5	3200	1000	0.75"	1.10"	3.0	88.5	63.4	80° / 67°	R410-A	180	144	44°	GAS	208	3	42	50	1350	1-B.
RTU-2	48HCTD12	KITCHEN AREA	10	12.0	4400	700	0.75"	1.26"	5.0	117.9	86.5	80° / 67°	R410-A	240	192	37°	GAS	208	3	53	60	1350	1-B.

- FACTORY OPTIONS TO BE INCLUDED:
- ENVIRON COIL SYSTEM.
 - 1/4" ROOF CURB.
 - FACTORY PROVIDED DISCONNECT.
 - 2" MERV4 FILTER.
 - WEIGHT INCLUDES CURB AND ACCESSORIES.
 - FACTORY PROVIDED ENTHALPY ECONOMIZER AND POWER EXHAUST RELIEF.
 - RETURN AIR SMOKE DETECTOR - MC TO WIRE TO ANNUNCIATOR.
 - FACTORY INSTALLED GFCI - NON-POWERED.

KITCHEN HOOD SCHEDULE											
BASED ON CAPTIVEAIRE U.N.O.											
UNIT DATA			LIGHTS			MISC.					
TAG	MODEL	HOOD LENGTH	MAX. COOKING TEMP.	TOTAL EXHAUST CFM	RISER	S.P. (IN"W.G.)	QTY.	TYPE	FIRE SUPP. SYSTEM	HANGING WEIGHT (LBS.)	COMMENTS
KH-1	3044 8D-2	5'-0"	450°F	1200	12" DIA.	-0.45	2	INCAND.	YES	300	

EXHAUST FAN SCHEDULE											
BASED ON CAPTIVEAIRE U.N.O.											
UNIT DATA			PERFORMANCE DATA				MOTOR DATA				
TAG	MODEL	FUNCTION	FAN TYPE	CFM	ESP	DAMPER	BELT OR DIRECT	HP	VOLT	PH	COMMENTS
EF-1	DUS0HFA	KH-1 HOOD EXHAUST	ROOF MOUNTED UP BLAST	1200	0.75	-	BELT	1/2	120	1	1.3
EF-2	DR10HFA	RESTROOM EXHAUST	ROOF MOUNTED DOWN BLAST	200	0.25	BDD	BELT	FRACT	120	1	1.2

- NOTES:
- FACTORY PROVIDED DISCONNECT SWITCH
 - FACTORY PROVIDED 20" ROOF CURB
 - FACTORY PROVIDED 20" ROOF CURB

GRILLES, REGISTERS, AND DIFFUSERS SCHEDULE									
BASED ON EGGER U.N.O.									
UNIT DATA			PERFORMANCE DATA						
TAG	FUNCTION	MODEL	FACE SIZE	FRAME TYPE	MATERIAL	FINISH	BALANCE DAMPER	MAX N.C.	COMMENTS
D1	SUPPLY	EA3**BEIGE	24" x 24"	LAY-IN	PLASTIC	BEIGE	-	25	1
D2	SUPPLY	EA3**BEIGE	24" x 24"	SURFACE	PLASTIC	BEIGE	-	25	1
D3	SUPPLY	EA3**W	12" x 12"	SURFACE	PLASTIC	BEIGE	-	25	1
D4	SUPPLY	EA3**W	24" x 24"	LAY-IN	PLASTIC	WHITE	-	25	1
G1	RETURN	EFAR-BEIGE	24" x 24"	LAY-IN	PLASTIC	BEIGE	-	25	
G2	RETURN	EFAR-W	24" x 24"	LAY-IN	PLASTIC	WHITE	-	25	
G3	RETURN	EFAR-W	12" x 12"	SURFACE	PLASTIC	BEIGHE	-	25	

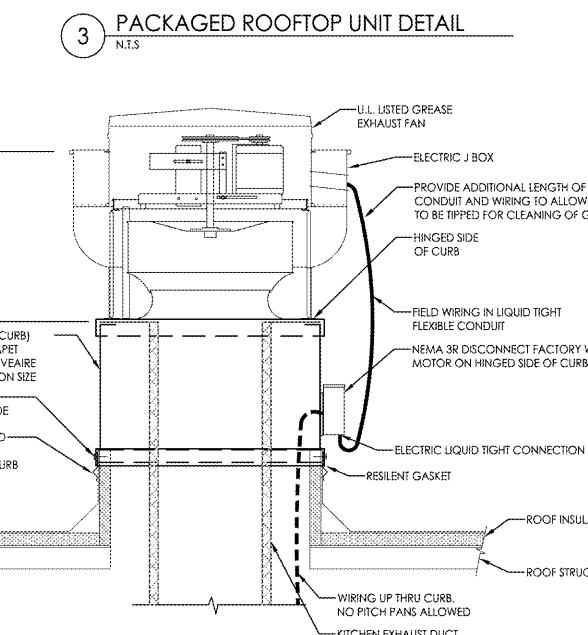
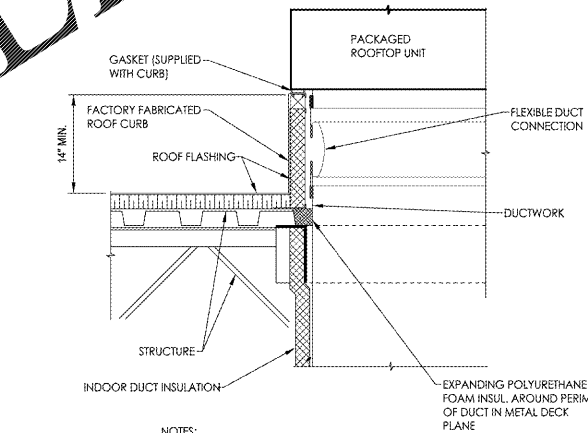
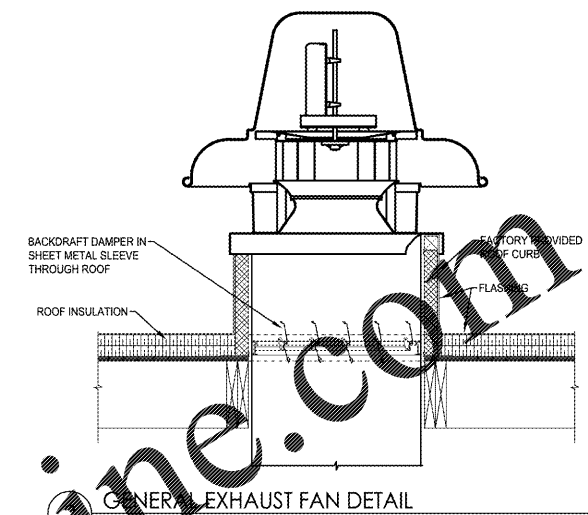
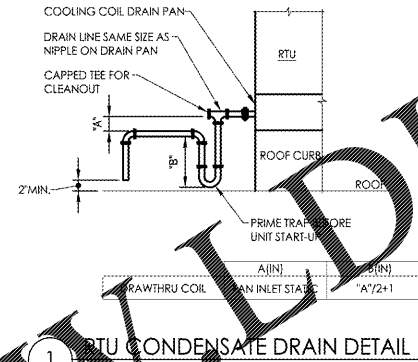
- NOTES:
- ALL SUPPLY DIFFUSERS TO BE INSULATED VIA FACTORY SYSTEM.

VENTILATION SCHEDULE													
BASED ON OMC 2011													
SPACE DATA			PEOPLE VENTILATION				AREA VENTILATION				TOTAL		
SPACE NAME	ROOM NUMBER	CATEGORY	RTU SERVED BY	OCC.	CFM PER PERSON	CFM TOTAL (PEOPLE)	AREA (SF)	CFM REQUIRED PER SF	CFM TOTAL (AREA)	TOTAL VENTILATION	ROOFTOP UNIT VENTILATION SUMMATION		
VESTIBULE	101	FOOD & BEVERAGE/DINING	RTU-1	4	7.5	30	60	0.18	11	41			
DINING	102	FOOD & BEVERAGE/DINING	RTU-1	53	7.5	397.5	690	0.18	124	522			
QUEUE AREA	103	FOOD & BEVERAGE/DINING	RTU-1	8	7.5	60	80	0.18	14	74			
WOMEN	111	BATHROOMS	RTU-1	-	-	-	-	-	-	-			
MEN	112	BATHROOMS	RTU-1	-	-	-	-	-	-	-			
HALL	113	PUBLIC SPACES/CORRIDOR	RTU-1	-	-	-	125	0.06	8	8			
										6	SYSTEM EFFICIENCY	CORRECTED OA	OA PROVIDED
											0.8	806	1000

VENTILATION SCHEDULE													
BASED ON OMC 2011													
SPACE DATA			PEOPLE VENTILATION				AREA VENTILATION				TOTAL		
SPACE NAME	ROOM NUMBER	CATEGORY	RTU SERVED BY	OCC.	CFM PER PERSON	CFM TOTAL (PEOPLE)	AREA (SF)	CFM REQUIRED PER SF	CFM TOTAL (AREA)	TOTAL VENTILATION	ROOFTOP UNIT VENTILATION SUMMATION		
DRIVE-THRU	105	FOOD & BEVERAGE/DINING	RTU-2	3	7.5	22	17	0.18	17	40			
KITCHEN	106	FOOD & BEVERAGE/KITCHEN	RTU-2	12	7.5	90	52	0.18	104	194			
MANAGER AREA	107	OFFICES/OFFICE SPACES	RTU-2	1	5	5	60	0.06	4	9			
SUPPLIES	108	RETAIL/STORAGE ROOMS	RTU-2	-	-	-	120	0.12	14	14			
										256	SYSTEM EFFICIENCY	CORRECTED OA	OA PROVIDED
											0.8	320	700

AIR BALANCE SCHEDULE					
COMPONENT	SUPPLY CFM	RETURN CFM	SUPPLY AIR CFM TO HOOD	OUTDOOR AIR CFM	EXHAUST CFM
RTU-1	3200	2200	-	1000	-
RTU-2	4400	3700	-	700	-
EF-1	-	-	-	-	1200
EF-2	-	-	-	-	200
TOTAL	7600	5900	0	1700	1400

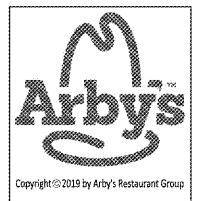
BUILDING PRESSURE: +300 CFM



- NOTES:
- INSTALLATION SHALL BE IN ACCORDANCE WITH NFPA 96 REQUIREMENTS.
 - CUT AND PATCH EXISTING ROOFING AS REQUIRED FOR NEW CURB INSTALLATION.
 - CURB SHALL BE TAPERED TYPE AND MATCH THE PITCH OF THE ROOF.
 - CONTRACTOR TO PROVIDE TREATED WOOD BLOCKINGS AND SHIM FLAT ROOF CURB TILL LEVEL FOR ALL EXHAUST FANS AND TO ACHIEVE ROOF CURB HEIGHTS, PROVIDE ROOF CURB EXTENSION IF REQUIRED.

4 GREASE EXHAUST FAN DETAIL
N.T.S.

NOT FOR CONSTRUCTION, FOR REFERENCE ONLY



ARBY'S RESTAURANT
INSPIRE WORKSMART 2400
2385 LEN PATTERSON RD
FORT MILL, SC 29708
FOR
BRUMIT RESTAURANT GROUP, LLC
40 SEMINOLE STREET, ASHEVILLE, NC 28803

PROJECT NUMBER:	ARF149
ISSUE OWNER REVIEW DATE	AUG 7, 2019

SCHEDULES & DETAILS
MECHANICAL

SHEET:

M5.1