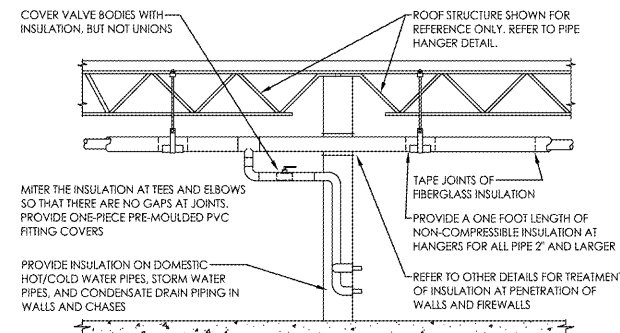


DO NOT HANG PIPE FROM BOTTOM OF JOISTS

PROVIDE GALVANIZED STEEL SADDLE FOR ALL INSULATED PIPE LARGER THAN 3/4". VERIFY INSULATION THICKNESS WHEN SIZING HANGERS

PROVIDE UPPER ATTACHMENT AS REQUIRED FOR CASES NOT SHOWN HERE. DO NOT INSTALL HANGER INSIDE INSULATION OR OTHERWISE PENETRATE VAPOR BARRIER. DO NOT HANG ONE PIPE FROM ANOTHER. TRAPEZOIDAL HANGERS MAY BE USED FOR MULTIPLE PARALLEL PIPES. HANGER SPACING FOR PIPE SIZE: COPPER: 4"=12; 3"=11; 2-1/2"=10; 2"=9; 1-1/2"=8; 1-1/4"=7; 1"=6; 3/4"=6; 1/2"=5; CAST IRON: 10 AND ONE NEAR ALL JOINTS. STEEL: 4"=14; 3"=12; 2-1/2"=10; 2"=9; 1-1/2"=8; 1-1/4"=7; 1"=6; 3/4"=6; 1/2"=5. LOCATE HANGERS AS CLOSE AS POSSIBLE TO TURNS AND TEES OF PIPE. PROVIDE SUPPLEMENTARY STEEL STRUTS BETWEEN JOISTS IF REQUIRED. LOCATE HANGERS TO TAKE LOAD OFF OF EQUIPMENT CONNECTIONS. ANCHOR WATER PIPE AGAINST SWAYING DUE TO CHANGES IN WATER VELOCITY. PROVIDE SEISMIC BRACING IF AS REQUIRED BY LOCAL AUTHORITIES. CHAINS OR PERFORATED STRAP IRON OR STEEL IS NOT ACCEPTABLE. REFER TO CODES AND SPECIFICATIONS FOR FURTHER INFORMATION.

1 PIPE HANGER DETAIL
N.T.S.



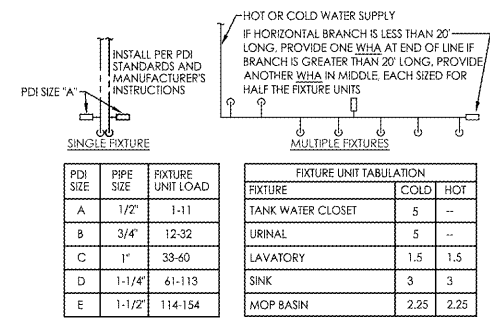
COVER VALVE BODIES WITH INSULATION, BUT NOT UNIONS

MITER THE INSULATION AT TEES AND ELBOWS SO THAT THERE ARE NO GAPS AT JOINTS. PROVIDE ONE-PIECE PRE-MOULDED PVC FITTING COVERS

PROVIDE INSULATION ON DOMESTIC HOT/COLD WATER PIPES, STORM WATER PIPES, AND CONDENSATE DRAIN PIPING IN WALLS AND CHASES

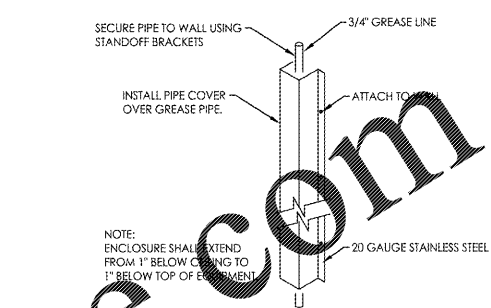
PROVIDE FIBERGLASS INSULATION WITH ALL-SERVICE JACKET WITH VAPOR BARRIER ON ALL COLD/HOT WATER PIPING AND CONDENSATE DRAIN PIPE. REFER TO SPECIFICATIONS FOR FURTHER INFORMATION REGARDING INSULATION. INSTALL ALL ITEMS PER SPECIFICATIONS AND MANUFACTURER'S INSTRUCTIONS. MAINTAIN VAPOR BARRIER ON COLD PIPING BY MEANS OF SEALANT AND TAPE. FLAME-SPREAD AND SMOKE-DEVELOPED INDEXES SHALL NOT EXCEED 25/50. SEAL EXPOSED ENDS OF FIBERGLASS INSULATION WITH ADHESIVE MASTIC.

2 PIPE INSULATION DETAIL
N.T.S.

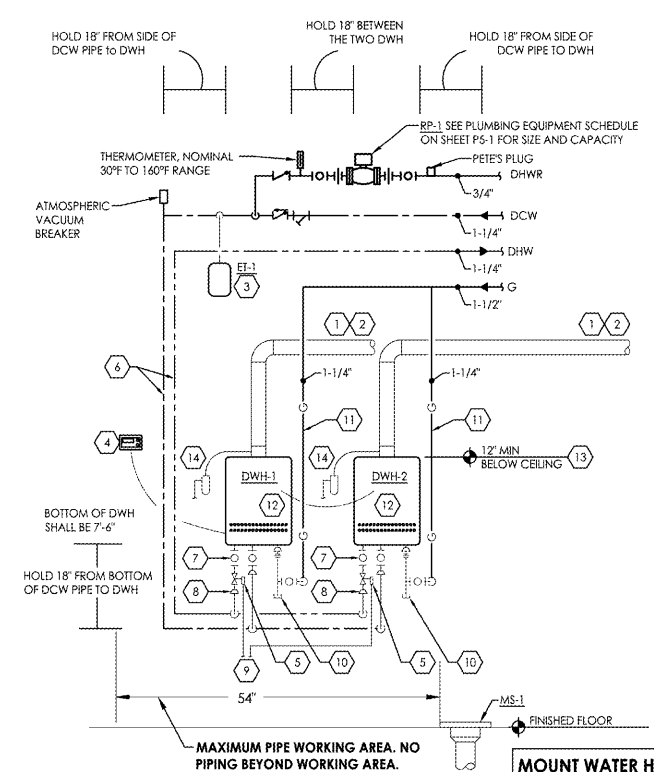


PC TO PROVIDE WATER HAMMER ARRESTORS BY SLOUX CHIEF. PRECISION PLUMBING PRODUCTS OR WAITS WITH PISTON AND O-RING CONSTRUCTION. HAVING PDI #WH-201, ASSE #1010 AND ANSI #A112.26.1M CERTIFICATION. INSTALL IN HORIZONTAL OR VERTICAL POSITION, BUT NEVER UPSIDE DOWN. INSTALL IN LINE WITH WATER FLOW DIRECTION IF POSSIBLE. SIZE UNITS AS SHOWN ON THE DRAWINGS AND/OR PER THE TABLES SHOWN ABOVE.

3 WATER HAMMER ARRESTERS DETAIL
N.T.S.



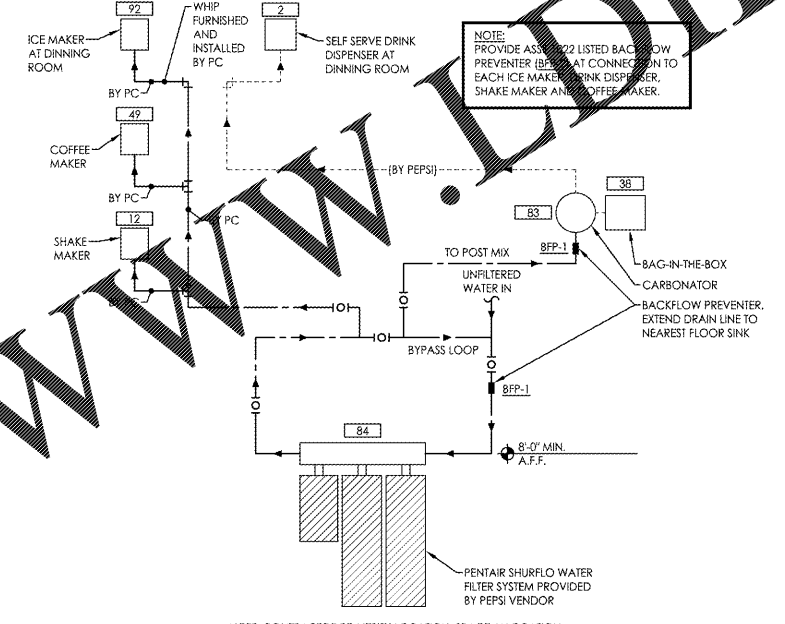
4 PIPE COVER DETAIL
N.T.S.



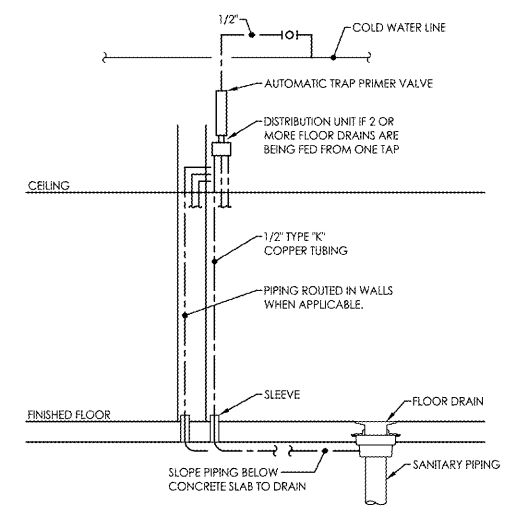
5 INSTANTANEOUS WATER HEATER DETAIL
N.T.S.

- WATER HEATER DETAIL NOTES**
- PROVIDE 6" RINNAI/UBBINKI ROLUX CONCENTRIC VENT SYSTEM AVAILABLE FROM HEATER MANUFACTURER AND INSTALL PER THE MANUFACTURER'S INSTRUCTIONS. SLOPE HORIZONTAL SECTION OF VENT 1/4" PER FOOT BACK TOWARDS THE HEATER FOR CONDENSATE DISPOSAL.
 - PROVIDE RINNAI/UBBINKI ROLUX CONCENTRIC VERTICAL TERMINATION KIT FOR FLUE/INTAKE TERMINATION THROUGH ROOF. INSTALL PER MANUFACTURER'S INSTRUCTIONS. REFER TO DETAIL ON SHEET P4-2.
 - PROVIDE EXPANSION TANK AS SHOWN PER MANUFACTURER'S REQUIREMENTS. SUPPORT TANK FROM WALL OR STRUCTURE ABOVE.
 - INSTALL REMOTE CONTROL PANEL 48" IN LOCATION AS SHOWN ON SHEET P2-1. PROVIDE WIRING FROM THE REMOTE CONTROL PANEL TO THE WATER HEATER. CONCEAL WIRING WITHIN THE WALL.
 - PROVIDE PRESSURE RELIEF VALVE. PIPE PRESSURE RELIEF VALVE TO MS-1.
 - ROUTE DCW AND DHW PIPING EXPOSED ON SURFACE OF WALL. SUPPORT PIPING WITH WALL STANDOFFS. INSULATE PIPING PER SPECIFICATIONS AND COVER EXPOSED INSULATION WITH PVC PROTECTIVE JACKET.
 - PROVIDE "THE ISOLATOR EXP" TANKLESS WATER HEATER SERVICE VALVES MANUFACTURED BY WEBSTONE COMPANY, INC. EXPOSED AT THE COLD AND HOT WATER CONNECTIONS TO THE WATER HEATER.
 - IF THE COLD, HOT, OR GAS PIPE LINE SIZE AS SHOWN ON THE PLUMBING PLANS IS LARGER THAN THE WATER HEATER CONNECTION SIZES, PROVIDE REDUCERS WITHIN 6" OF THE WATER HEATER.
 - PIPE PRESSURE RELIEF VALVE DISCHARGE AND FLUE CONDENSATE DRAIN TO MS-1. DRAIN THROUGH AN AIR GAP.
 - PROVIDE AN EXPOSED DRIP LEG AND LINE-SIZE GAS VALVE ON THE GAS SERVICE TO THE WATER HEATER.
 - ROUTE GAS PIPING EXPOSED ON SURFACE OF THE WALL.
 - PROVIDE QUICK CONNECT CORD TO CONNECT THE WATER HEATERS. INSTALL THE TWO UNITS 18.5" - 37.4" APART ON CENTER TO ENSURE THE CORD WILL REACH.
 - MOUNT HEATER AS HIGH AS POSSIBLE BELOW CEILING. INSTALL PER MANUFACTURER'S RECOMMENDATIONS. COORDINATE EXACT LOCATION WITH CONSTRUCTION MANAGER.
 - PROVIDE CONDENSATE TRAP AVAILABLE WITH WATER HEATER AND INDIRECT DRAIN TO MOP SINK.
- WATER HEATER INSTALLATION NOTES**
- CLEAN INLET STRAINERS AFTER CONSTRUCTION HAS BEEN COMPLETE AND PRIOR TO TURN-OVER OF THE BUILDING TO THE OWNER.
 - INSTALL PIPING WITH AS FEW ELBOWS AS POSSIBLE.
 - MAINTAIN REQUIRED CLEARANCES TO COMBUSTIBLE MATERIALS.
 - ADJUST WATER HEATER TO MANUFACTURER'S RECOMMENDATIONS.

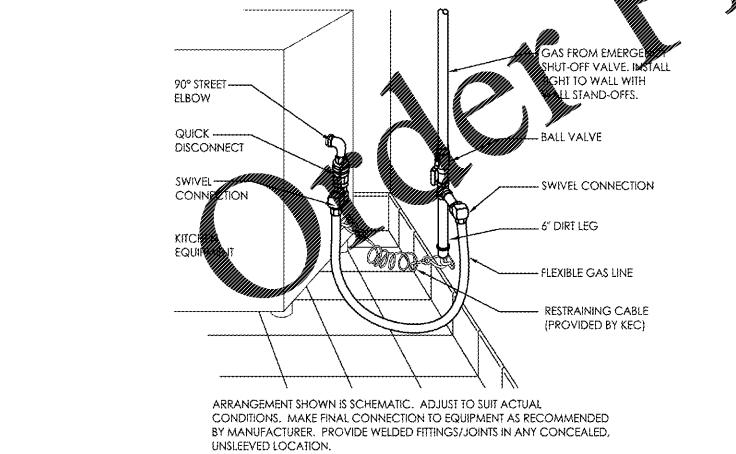
MOUNT WATER HEATER AS CLOSE TO MOP SINK AS POSSIBLE



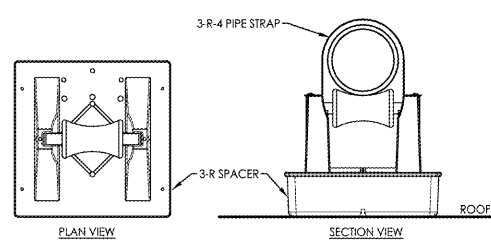
6 WATER FILTER SYSTEM DETAIL
N.T.S.



7 TRAP PRIMER DETAIL
N.T.S.

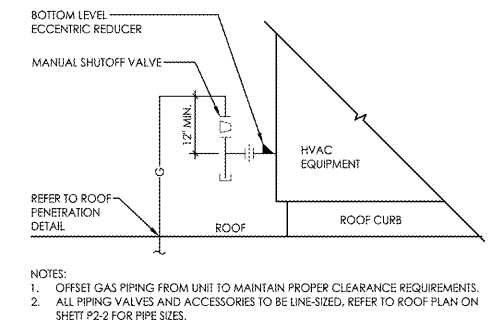


8 KITCHEN GAS CONNECTION DETAIL
N.T.S.

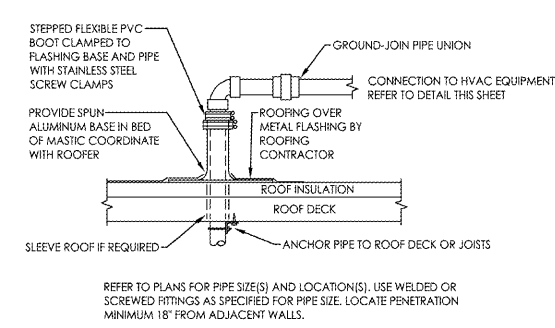


NOTE: SUPPORT 10'-0" ON CENTER & AT ALL CHANGES OF DIRECTION

9 ROOF GAS PIPING SUPPORT DETAIL
N.T.S.



10 RTU GAS CONNECTION DETAIL
N.T.S.



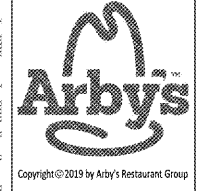
11 ROOF PENETRATION
N.T.S.

8/17/2019 3:33 PM

NOT FOR CONSTRUCTION, FOR REFERENCE ONLY

red
architecture + planning
174 east long street
suite 300
columbus, ohio 43215
tel: 614.487.8770
fax: 614.487.8777

PROPRIETARY INFORMATION NOTICE:
THESE PROTOTYPICAL DOCUMENTS MAY REQUIRE REVISIONS TO CONFORM TO LOCAL, STATE, AND FEDERAL CODES, ORDINANCES OR OTHER REGULATIONS. THE DESIGN CONCEPTS EMBODIED IN THESE DOCUMENTS ARE SPECIAL AND NOT TO BE REPRODUCED OR TRANSMITTED IN ANY FORM OR BY ANY MEANS WITHOUT THE EXPRESS WRITTEN CONSENT OF ARBY'S RESTAURANT GROUP.



ARBY'S RESTAURANT
INSPIRE WORKSMART 2400
2385 LEN PATTERSON RD
FORT MILL, SC 29708
FOR
BRUMIT RESTAURANT GROUP, LLC
40 SEMINOLE STREET, ASHEVILLE, NC 28803

PROJECT NUMBER:	DATE
ARF149	AUG 7, 2019
ISSUE	OWNER REVIEW

DETAILS
PLUMBING

SHEET:
P4.1