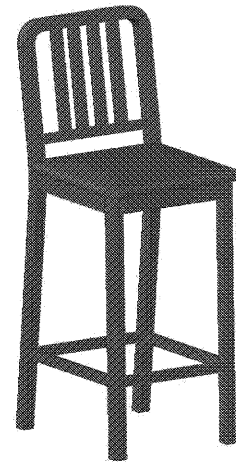
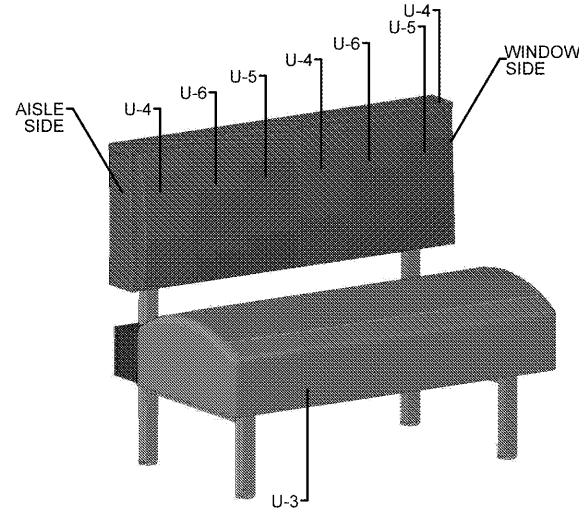


TABLE TOP 'A'



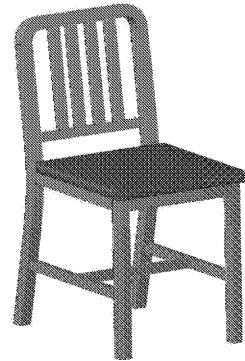
BAR STOOL



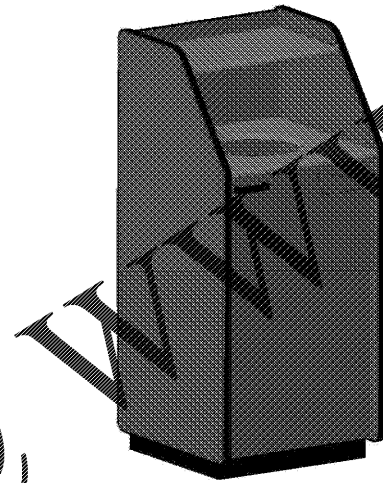
BOOTHS



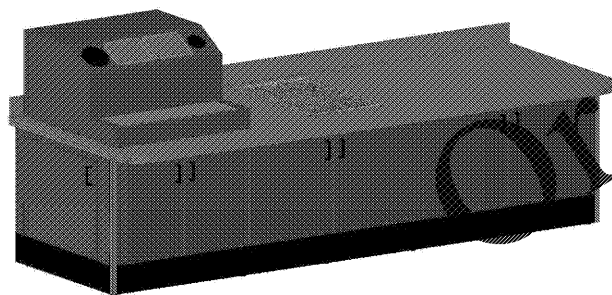
TABLE TOP 'B'



CHAIR



WASTE CABINET



DRINK CABINET

FURNITURE FINISHES

TABLE TOPS:

SERIES: LAMINATED
'TABLE A': PIONITE WX110 'SMOOTH PADDLIN'
EDGE: PLYWOOD
'TABLE B': WILSONART 7973K-12 'OLD MILL OAK'
EDGE: BROWN VINYL
NOTE: HANDICAP SYMBOL ON HANDICAP TABLES

FURNISHED BY CMI
INSTALLED BY G.C.

TABLE BASE:

SERIES: STANDARD AND BAR HEIGHT FREESTANDING BASE
FINISH: BLACK

FURNISHED BY CMI
INSTALLED BY G.C.

CHAIRS (FREESTANDING):

CHAIR SERIES: #809
FRAME FINISH: M-8 QUICKSILVER
SEAT 'A' UPHOLSTERY: ESP635 AMERICAN BEAUTY (U6)

FURNISHED BY CMI
INSTALLED BY G.C.

BARSTOOL (FREESTANDING):

CHAIR SERIES: #809-30
FRAME FINISH: S-19 LIPSTICK REDUM
SEAT 'A' UPHOLSTERY: ESP635 AMERICAN BEAUTY (U6)

FURNISHED BY CMI
INSTALLED BY G.C.

BOOTH: ARBY'S 36" AFF

SERIES: UPHOLSTERED BACK PAD & SEAT
BACK PAD PATTERN - STANDARD SIZE & WALL BENCHES
TOP CAP /SIDE PANEL: ARC-COM RODEO, AC-69953 'FIRE' #14 (U4)
BACK PAD UPHOLSTERY:
UPHOLSTERY 4: ARC-COM RODEO, AC-69953, 'FIRE' #14 (U4)
UPHOLSTERY 5: ARC-COM RODEO, AC-69954, 'RUBY' #15 (U5)
UPHOLSTERY 6: ARC-COM RODEO, AC-69952, 'LIPSTICK' #13 (U6)
SEAT PAD FINISH: ARC-COM RODEO, AC-69984, 'RHINO' #45 (U3)
WELT: ARC-COM RODEO, AC-69984 'RHINO' #45 (U3)
CRUMB RAIL: FORMICA 5884-58 CHESTNUT WOODLINE
STRIPES TO BE TUFTED

FURNISHED BY CMI
INSTALLED BY G.C.

WASTE CABINETS:

SERIES: TOP DROP
TOP AND TRAY SHELF FINISH: CORIAN 'ARCTIC ICE' (C1)
CABINET FINISH: PIONITE WX110 SUEDE 'SMOOTH PADDLIN' (L2)
EDGE: VINYL EDGING - BLACK
BASE FINISH: BLACK
LAMINATE GRAIN TO BE RUN HORIZONTALLY

FURNISHED BY KES*
INSTALLED BY G.C.

BEVERAGE CABINET:

TOP FINISH: CORIAN 'ARCTIC ICE' (C1)
CABINET: PIONITE WX110 SUEDE 'SMOOTH PADDLIN' (L2)
1/4" ANGLE AT BOTTOM EDGE TO PROTECT LAMINATE

FURNISHED BY CMI
INSTALLED BY G.C.

QUEUE LINE:

DESCRIPTION: CURVED QUEUE LINE
TOP CAP: CORIAN 'ARCTIC ICE' (C1)
TRIM: PIONITE WX110 SUEDE 'SMOOTH PADDLIN' (L2)
NOTE: LAMINATE GRAIN TO BE RUN HORIZONTALLY
SUPPORT: 2" STAINLESS STEEL WITH ADA RAIL @ 3" A.F.F.

FURNISHED BY N/A
INSTALLED BY G.C.

STORE No.: 8688

REVISION

Table with columns for REVISION, DATE, and BY.

Table with columns for SHEET TITLE, PRODUCT LINE, SCALE, ADDRESS.

Table with columns for ACCOUNT, DESIGN BY, DATE, PROJECT NO., REVISION, SHEET NO.



CITY, ST Fort Mill, SC