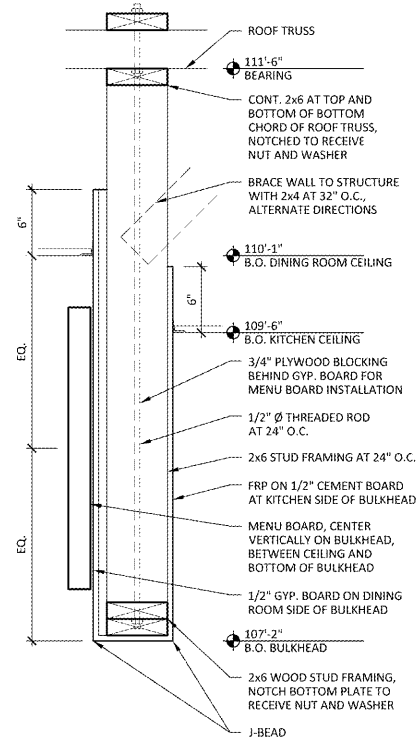
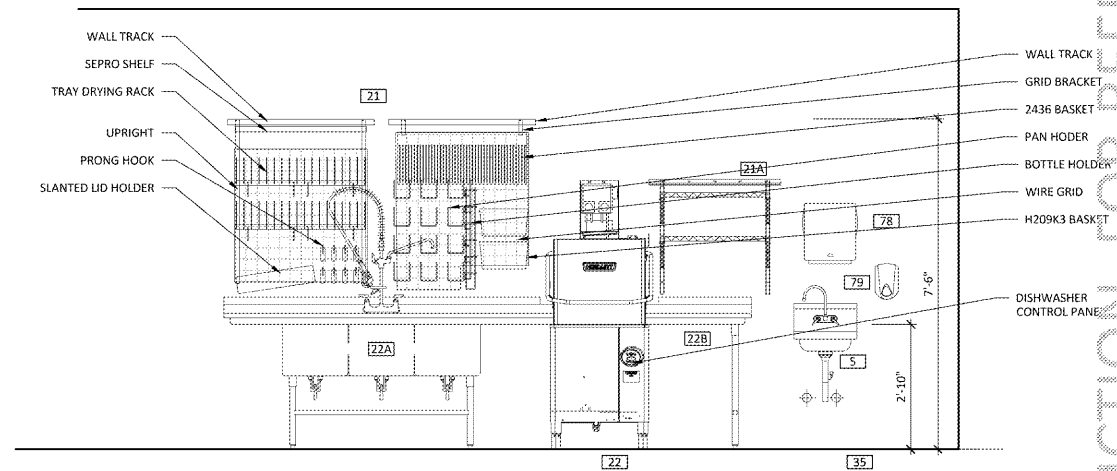


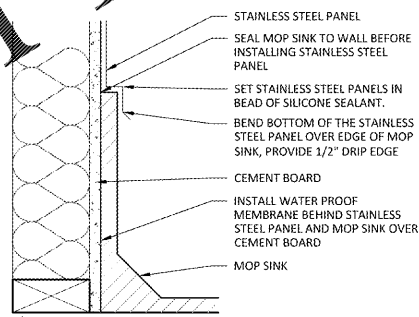
1 MENU BOARD SOFFIT PLAN
A6.2 1/2" = 1'-0"



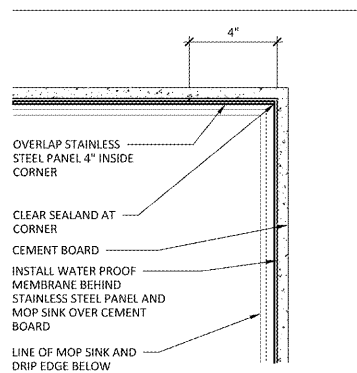
3 BULKHEAD DETAIL
A6.2 1 1/2" = 1'-0"



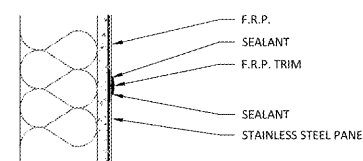
6B INTERIOR ELEVATION (WITH DISH WASHER)
A6.2 1/2" = 1'-0"



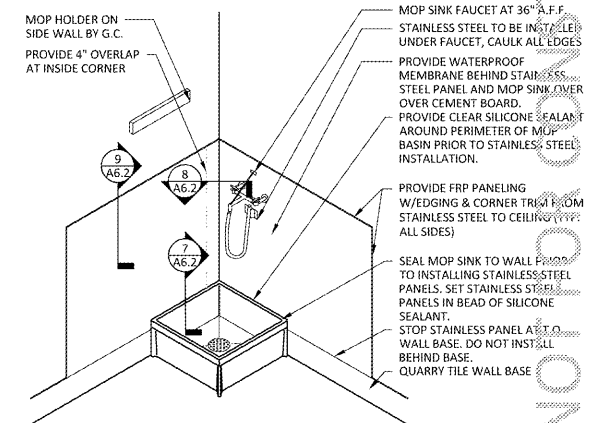
7 MOP SINK SECTION DETAIL
A6.2 1/2" = 1'-0"



8 MOP SINK CORNER DETAIL
A6.2 1/2" = 1'-0"



9 MOP SINK TRIM DETAIL
A6.2 1/2" = 1'-0"



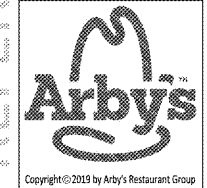
10 MOP SINK DETAIL
A6.2 1/2" = 1'-0"

Order Plans @

WWW.LDILine.com

red
architecture + planning
174 east long street
suite 300
columbus, ohio 43215
tel: 614.487.8770
fax: 614.487.8777

PROPRIETARY INFORMATION NOTICE
THIS ARCHITECTURAL DOCUMENT MAY REQUIRE REVISIONS TO CONFORM TO LOCAL, STATE, AND FEDERAL CODES, ORDINANCES OR OTHER CONDITIONS. THE DESIGN CONCEPTS EMBODIED IN THESE DOCUMENTS ARE SPECIFICALLY FOR THIS PROJECT. INFORMATION CONTAINED HEREIN REMAINS THE SOLE PROPERTY OF ARBY'S RESTAURANT GROUP. IT IS CONFIDENTIAL AND PROPRIETARY AND IS NOT TO BE COPIED, REPRODUCED, DISCLOSED OR OTHERWISE TRANSMITTED TO OTHER PARTIES IN ANY FORM WHATSOEVER WITHOUT THE EXPRESS WRITTEN CONSENT OF ARBY'S RESTAURANT GROUP.



Copyright © 2019 by Arby's Restaurant Group

ARBY'S RESTAURANT
INSPIRE WORKSMART 2400
2385 LEN PATTERSON RD
FORT MILL, SC 29708
FOR
BRUMIT RESTAURANT GROUP, LLC
40 SEMINOLE STREET, ASHEVILLE, NC 28803

PROJECT NUMBER:
ARF149

ISSUE OWNER REVIEW DATE
AUG 7, 2019

INTERIOR ELEVATIONS

SHEET:

A6.2