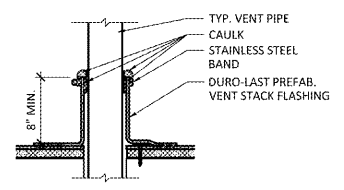


DO NOT PENETRATE ROOF MEMBRANE UNLESS COORDINATED WITH ROOF MANUFACTURER. DO NOT VOID WARRANTY.

**1**  
A1.2  
1/4" = 1'-0"

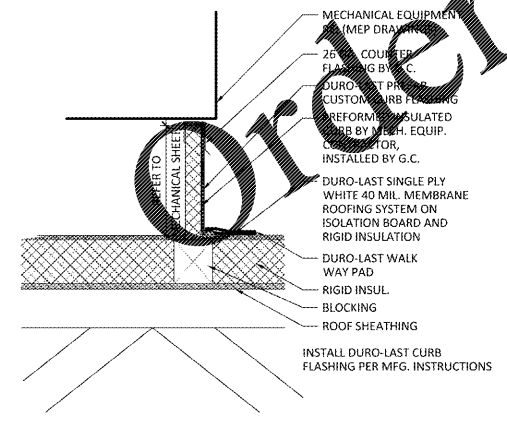
**ROOF PLAN**



IF A LEAD FLASHING IS PRESENT ON THE PIPE, IT MUST BE REMOVED BEFORE A DURO-LAST STACK FLASHING IS INSTALLED. INSTALL PER MANUF. INSTRUCTIONS.

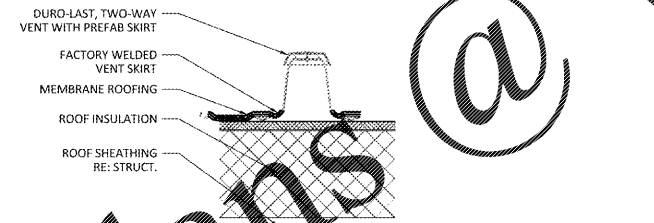
**2**  
A1.2  
3" = 1'-0"

**TYP. VENT DETAIL**



**5**  
A1.2  
1 1/2" = 1'-0"

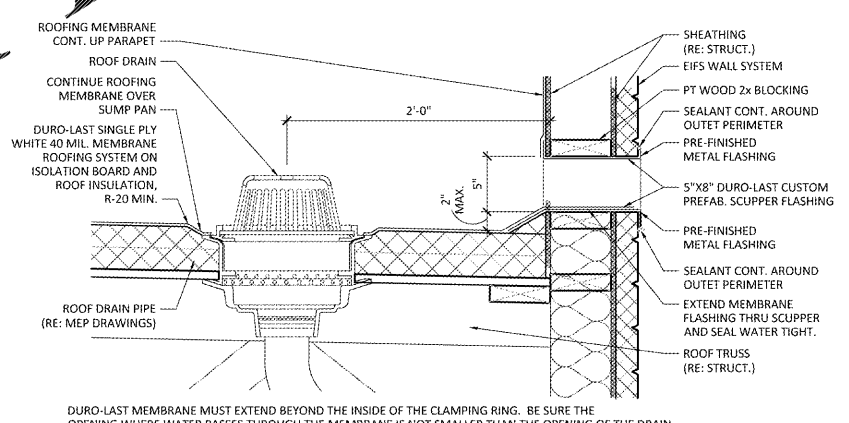
**CURB DETAIL**



INSTALL VENT FOR EVERY 1,000 SQUARE FEET OF DURO-LAST DECK AREA. VENTS SHALL BE EVENLY SPACED BETWEEN ROWS OF FASTENING TO CROSS THE ROOF. INSTALL PER MANUF. INSTRUCTIONS.

**3**  
A1.2  
3" = 1'-0"

**TWO WAY VENT DETAIL**



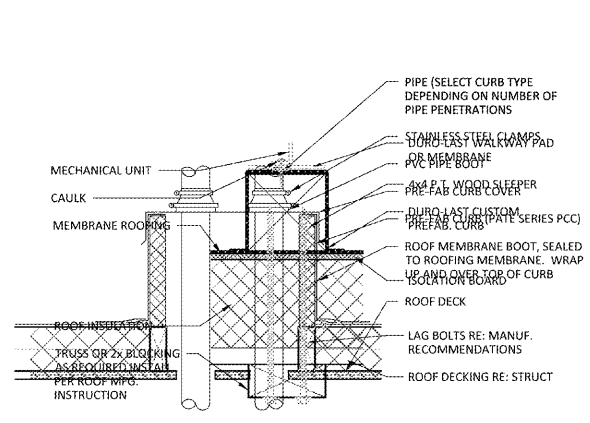
**6**  
A1.2  
1 1/2" = 1'-0"

**ROOF DRAIN AND SCUPPER DETAIL**

DURO-LAST MEMBRANE MUST EXTEND BEYOND THE INSIDE OF THE CLAMPING RING. BE SURE THE OPENING WHERE WATER PASSES THROUGH THE MEMBRANE IS NOT SMALLER THAN THE OPENING OF THE DRAIN.

**4**  
A1.2  
3" = 1'-0"

**NOT USED**



**7**  
A1.2  
1 1/2" = 1'-0"

**ROOF PENETRATION DETAIL**

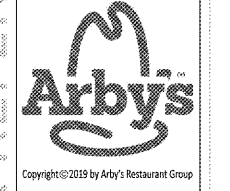
**GENERAL ROOF NOTES**

- A. ROOF TO BE: DURO-LAST, SINGLE-PLY, WHITE 40 MIL. ROOF MEMBRANE. INSTALL PER MANUFACTURER'S SPECIFICATIONS. PROVIDE ROOF VENTS AS REQUIRED. WRAP MEMBRANE UP AND OVER PARAPET WALL, TERMINATE BEHIND PRE-FINISHED METAL COPING. REFER TO WALL SECTIONS.
- B. ROOF STRUCTURE CONSIST OF WOOD TRUSSES @ 24" O.C. WITH A 3/4" PLYWOOD DECK. REFER TO STRUCTURAL DRAWINGS.
- C. DIMENSIONS LOCATING ROOFTOP EQUIPMENT MUST BE HELD TO MAINTAIN CODE REQUIRED CLEARANCES FROM EDGE OF ROOF AND MECHANICAL SERVICE REQUIREMENTS.
- D. CONNECT ROOF DRAINS TO INTERIOR LEADER IN THE TRUSS SPACE ABOVE CEILING. LEADER TO CONNECT DIRECTLY TO UNDERGROUND STORM WATER SYSTEM.
- E. ACCENT BAND AND CANOPIES ARE SHOWN FOR DESIGN INTENT AND ARE FOR REFERENCE ONLY. REFER TO ACCENT BAND/CANOPY SHOP DRAWINGS FOR EXACT SIZE AND LOCATION. PROVIDE BLOCKING AS REQUIRED FOR FASTENING ACCENT BAND AND CANOPIES TO EXISTING WALL.
- F. G.C. IS RESPONSIBLE FOR MAINTAINING ROOF WARRANTY DURING CONSTRUCTION. COORDINATE INSTALLATION WITH MANUFACTURER.

**CODED NOTES**

- 1. LINE OF HOOD BELOW.
- 2. PRE-FINISHED METAL COPING, OVERLAP SEAMS 1 1/2" MIN. AT ALL JOINTS. REFER TO ELEVATION FOR COLOR.
- 3. VENTS FOR WATER HEATERS THRU WALL, REFER TO PLUMBING DRAWINGS.
- 4. LINE OF CANOPY/ACCENT BAND BELOW.
- 5. 10'-0" FRESH AIR CLEARANCE, REFER TO MECHANICAL DRAWINGS.
- 6. ROOF DRAIN AND OVERFLOW SCUPPER. REFER TO DETAIL 6/A1.2.
- 7. EXHAUST FAN, REFER TO MECHANICAL DRAWINGS.
- 8. NOT USED.
- 9. DRAINAGE CRICKET, TYP.
- 10. DURO-LAST WORK MATS
- 11. VENT THRU ROOF, REFER TO PLUMBING DRAWINGS.
- 12. REMOTE CONDENSER FOR COOLER/FREEZER. REFER TO ELECTRICAL DRAWINGS. INSTALL ON 4x4 PT WOOD SLEEPER, TYP. REFER TO DETAIL 4/A1.2. REFER TO PLUMBING DRAWINGS FOR REF. LINE ROUTING INFORMATION.
- 13. SCUPPER THRU WALL, REFER TO 6/A1.2.
- 14. ROOF TOP UNIT ON PRE-MANUFACTURED ROOF CURB, REFER TO MECHANICAL DRAWINGS.
- 15. ROOF ACCESS LADDER.
- 16. LINE OF DRIVE THRU CANOPY BELOW. CENTER ON DRIVE THRU WINDOW.
- 17. ROOF KIT BY COOLER/FREEZER MFR.
- 18. ROOF CURB FOR PIPING PENETRATIONS. REFER TO 6/A1.2.

NOT FOR CONSTRUCTION, FOR REFERENCE ONLY



Copyright © 2019 by Arby's Restaurant Group

**ARBY'S RESTAURANT**  
INSPIRE WORKSMART 2400  
2385 LEN PATTERSON RD  
FORT MILL, SC 29708  
FOR  
BRUMIT RESTAURANT GROUP, LLC  
40 SEMINOLE STREET, ASHEVILLE, NC 28803

PROJECT NUMBER: ARF149	
ISSUE	DATE
OWNER REVIEW	AUG 7, 2019

ROOF PLAN  
SHEET:  
**A1.2**