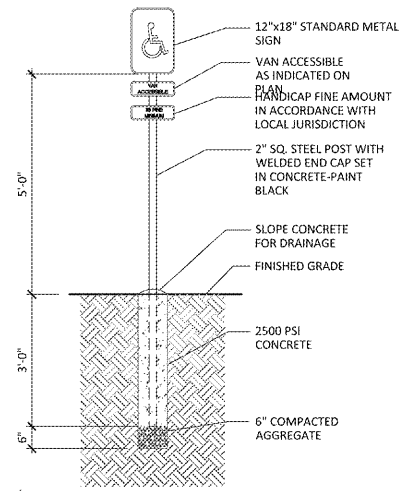
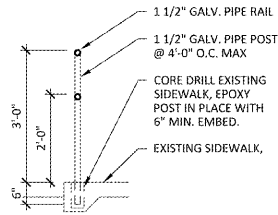


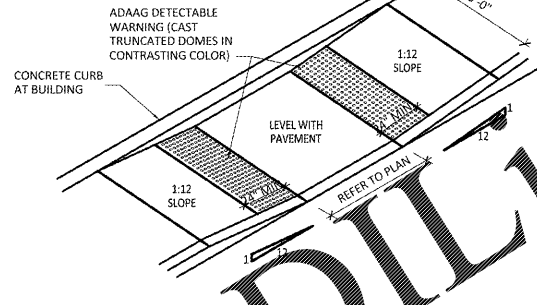
1 *AS NEEDED
 AS1.1 TYP. BOLLARD DETAIL
 1/2" = 1'-0"



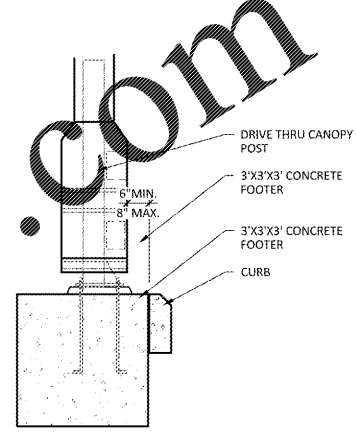
2 *AS NEEDED
 AS1.1 ACCESSIBLE SIGN DETAIL
 1/2" = 1'-0"



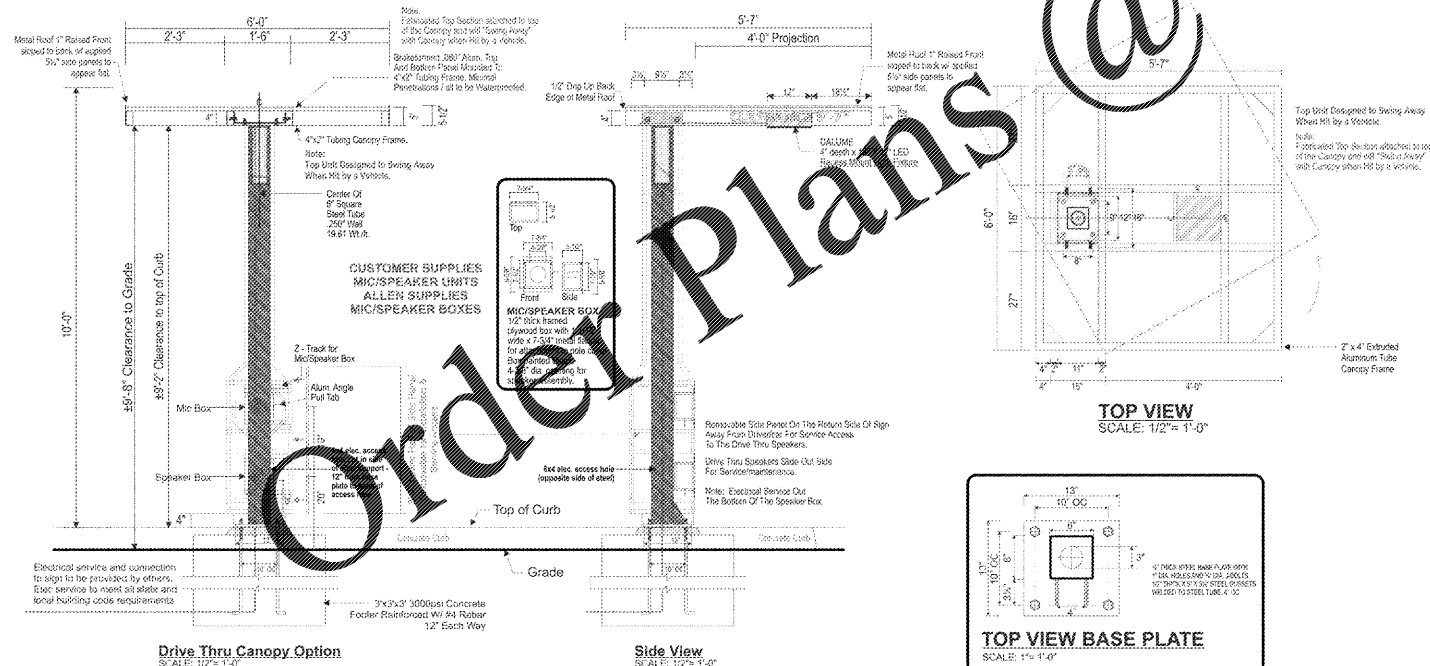
3 *AS NEEDED
 AS1.1 DRIVE THRU RAIL DETAIL
 1/2" = 1'-0"



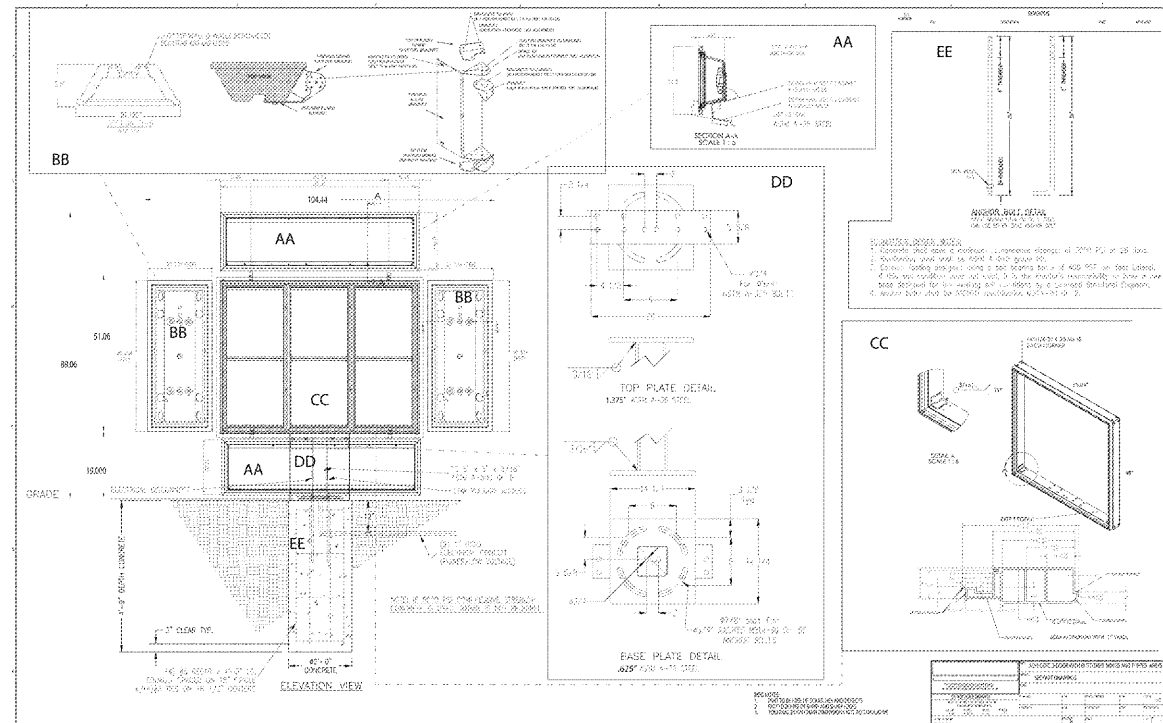
6 *REFERENCE ONLY
 AS1.1 ADA CONCRETE CURB RAMP DETAIL
 1/2" = 1'-0"



7
 AS1.1 DRIVE THRU CANOPY BASE DETAIL
 1/2" = 1'-0"



4
 AS1.1 DRIVE THRU CANOPY DETAIL
 1/2" = 1'-0"



5
 AS1.1 MENU BOARD DETAILS
 N.T.S.

NOT FOR CONSTRUCTION, FOR REFERENCE ONLY



ARBY'S RESTAURANT
 INSPIRE WORKSMART 2400
 2385 LEN PATTERSON RD
 FORT MILL, SC 29708
 FOR
 BRUMIT RESTAURANT GROUP, LLC
 40 SEMINOLE STREET, ASHEVILLE, NC 28803

PROJECT NUMBER: ARF149

ISSUE OWNER REVIEW DATE
 AUG 7, 2019

SITE DETAILS

SHEET:

AS1.1