

RECEIVED  
MAR 21 2019  
1236 EAST SUNSHINE ST. SUITE 417  
SPRINGFIELD, MO

**NATIONAL ACCOUNT - ROOFTOP UNIT SCHEDULE - 7.5 TON - GAS (3-PHASE) - BY O'REILLY**

**RTU - RESPONSIBILITIES**  
 1.) ALL CARRIER HVAC UNITS ARE OWNER SUPPLIED BY O'REILLY AUTOMOTIVE.  
 2.) MECHANICAL CONTRACTOR IS RESPONSIBLE FOR THE INSTALLATION OF ALL CARRIER HVAC UNITS.  
 3.) MECHANICAL CONTRACTOR IS RESPONSIBLE FOR THE FIRST YEAR LABOR WARRANTY ON ALL OWNER SUPPLIED EQUIPMENT.  
 4.) MECHANICAL CONTRACTORS WORKING ON O'REILLY PROJECTS MUST CALL "CARRIER CORPORATION'S NATIONAL ACCOUNTS" DEPARTMENT FOR CONFIRMATION OF ORDERS ONLY!  
 5.) MECHANICAL CONTRACTOR IS RESPONSIBLE FOR SCHEDULING, SHIPPING & RECEIVING OF ALL CARRIER UNITS FROM CARRIER NATIONAL ACCOUNTS. CONTACT CUSTOMER SERVICE REP. LISTED TO THE RIGHT.

**CALL THE CARRIER CUSTOMER SERVICE REP. BELOW FOR CONFIRMATION OF ORDERS. DO NOT CALL CARRIER FOR QUOTES!**  
 CARRIER CORPORATION, STRATEGIC ACCOUNTS, CARRIER PARKWAY, SYRACUSE, NEW YORK 13221  
 CUSTOMER SERVICE REPS: MARIA CAMPANELLO 315-432-3946, Maria.campanello@carrier.utc.com  
 ACCOUNT MANAGER: PAUL WITZ, CELL 315-317-2481, paul.witz@carrier.utc.com

MARK	DESCRIPTION	MFR.	CATALOG NUMBER	HTG. MBH			THERM. EFF.	CLG. MBH			EER	EER	SUPPLY FAN			ELECTRICAL	Wt. (lbs.)	ACCESSORIES	REMARKS	REF. DTL.			
				STAGE 1 IN/OUT	STAGE 2 IN/OUT	TTL. IN/OUT		STAGE 1 TOT./SENS.	STAGE 2 TOT./SENS.	TTL. TOT./SENS.			CFM	O.A.	ESP						HP	MCA	MOCP
RTU-1	WEATHERMASTER PACKAGED ROOFTOP UNIT 7.5-7.5-TON	CARRIER	48CRD08K2M5-0F1D0	120/98	60/50	180/148	82%	46.5/36	46.5/36	93/72	13.00	12.00	3000	△	0.6	1.50	208V/230V/3P	41	50+	1172	SEE BELOW	△△△	1/M2 2/M2

**ACCESSORIES - FACTORY SUPPLIED AND INSTALLED**  
 HE - STAINLESS STEEL GAS HEAT EXCHANGER, (MEDIUM HEAT) (15 YR. WARRANTY).  
 SD - RETURN AIR SMOKE DETECTOR.  
 COF - CONDENSATE OVERFLOW SWITCH (CAN'T BE USED WITH HORIZONTAL RETURN UNITS).  
 MB - MEDIUM STATIC BLOWER (SINGLE SPEED).  
 HG - LOUVERED HALL GUARDS.  
 UPO - UN-POWERED CONVENIENCE OUTLET (FIELD POWERED), 15AMP, 120V, GROUND FAULT CIRCUIT INTERRUPTER (GFCI) TYPE.  
 TBEG - THROUGH-THE-BOTTOM-ELECTRIC & GAS SERVICES, (SEE ROOF TOP UNIT DETAILS)  
 SS - HI & LOW REFRIGERANT SAFETY SWITCHES, (STANDARD ON EVERY UNIT)  
 AF - 2" RETURN AIR FILTERS, (STANDARD ON EVERY UNIT)  
 EC - ENTHALPY ECONOMIZER IV, W/BAROMETRIC RELIEF.

**ACCESSORIES - FACTORY SUPPLIED & FIELD INSTALLED**  
 CO2 - CO2 SENSOR, WALL MOUNT, #33ZCSP10C02LD-01  
 RTRS - REMOTE TEST/RESET STATION, CARRIER #50-TRM4(CRS0TES001400) FOR REMOTE TESTING/RESETTING OF DUCT SMOKE DETECTOR. SEE HVAC PLAN FOR MOUNTING LOCATIONS.  
 HSA - ALARM/SIROBE, CARRIER #6536-G5(CRS0HNSB001A00), AUDIBLE/VISUAL SIGNAL DEVICE FOR SIGNALING ALARM OF DUCT SMOKE DETECTOR. SEE HVAC PLAN FOR MOUNTING LOCATIONS.

**ACCESSORIES - O'REILLY SUPPLIED & FIELD INSTALLED**  
 TS1 - GRIDPOINT THERMOSTAT, (NO SUBSTITUTIONS). REFER TO EM SHEETS.  
 DS - NON-FUSED DISCONNECT SWITCH, (GRAYBAR/O'REILLY) SUPPLIED W/ ELECTRICAL BILL OF MATERIALS.

**REMARKS**  
 △ COOLING CAPACITY BASED ON 80°F EDB AND 67°F EWB.  
 △ CAPACITY BASED ON 95°F AMBIENT TEMPERATURE.  
 △ **NOTE: HVAC COMPLETION, AT CONSTRUCTION COMPLETION:**  
 1. CONTRACTOR SHALL REPLACE ALL RETURN AIR FILTERS INSIDE ALL HVAC UNITS W/CLEAN NEW AIR FILTERS.  
 2. CONTRACTOR SHALL SUPPLY AN ADDITIONAL CLEAN SET OF FILTERS TO THE OWNER AT JOB COMPLETION.  
 3. CONTRACTOR SHALL SHOW THE STORE MANAGER THE LOCATION OF & INSTRUCT HIM/HER HOW TO CHANGE ALL AIR FILTERS.

△ FACTORY EQUIPPED WITH STANDARD LOW AMBIENT COOLING TO 35°F ODB.  
 △ OUTSIDE AIR, SEE PLAN FOR UNIT(S) REQUIRING OUTSIDE AIR.  
 △ REFRIGERANT = R410A (PURON).  
 \* MAXIMUM CIRCUIT BREAKER OR TIME-DELAY FUSE.

**NATIONAL ACCOUNT ROOFTOP UNIT SCHEDULE - 5 TON - GAS (3-PHASE) - BY O'REILLY**

**RTU - RESPONSIBILITIES**  
 1.) ALL CARRIER HVAC UNITS ARE OWNER SUPPLIED BY O'REILLY AUTOMOTIVE.  
 2.) MECHANICAL CONTRACTOR IS RESPONSIBLE FOR THE INSTALLATION OF ALL CARRIER HVAC UNITS.  
 3.) MECHANICAL CONTRACTOR IS RESPONSIBLE FOR THE FIRST YEAR LABOR WARRANTY ON ALL OWNER SUPPLIED EQUIPMENT.  
 4.) MECHANICAL CONTRACTORS WORKING ON O'REILLY PROJECTS MUST CALL "CARRIER CORPORATION'S NATIONAL ACCOUNTS" DEPARTMENT FOR CONFIRMATION OF ORDERS ONLY!  
 5.) MECHANICAL CONTRACTOR IS RESPONSIBLE FOR SCHEDULING, SHIPPING & RECEIVING OF ALL CARRIER UNITS FROM CARRIER NATIONAL ACCOUNTS. CONTACT CUSTOMER SERVICE REP. LISTED TO THE RIGHT.

**CALL THE CARRIER CUSTOMER SERVICE REP. BELOW FOR CONFIRMATION OF ORDERS. DO NOT CALL CARRIER FOR QUOTES!**  
 CARRIER CORPORATION, STRATEGIC ACCOUNTS, CARRIER PARKWAY, SYRACUSE, NEW YORK 13221  
 CUSTOMER SERVICE REPS: MARIA CAMPANELLO 315-432-3946, Maria.campanello@carrier.utc.com  
 ACCOUNT MANAGER: PAUL WITZ, CELL 315-317-2481, paul.witz@carrier.utc.com

MARK	DESCRIPTION	MFR.	CATALOG NUMBER	HTG. MBH			THERM. EFF.	CLG. MBH			EER	EER	SUPPLY FAN			ELECTRICAL	Wt. (lbs.)	ACCESSORIES	REMARKS	REF. DTL.		
				STAGE 1 IN/OUT	STAGE 2 IN/OUT	TTL. IN/OUT		STAGE 1 TOT./SENS.	STAGE 2 TOT./SENS.	TTL. TOT./SENS.			CFM	O.A.	ESP						HP	V/PH
RTU-2	WEATHERMASTER PACKAGED ROOFTOP UNIT 5-TON	CARRIER	48HTA06K2M5-0F1D0	120/98	30/24	150/120	80%	60.4	48.0	15.20	12.45	2000	△	0.6	1.50	208/3P	30	45+	750	SEE BELOW	△△△	1/M2 2/M2

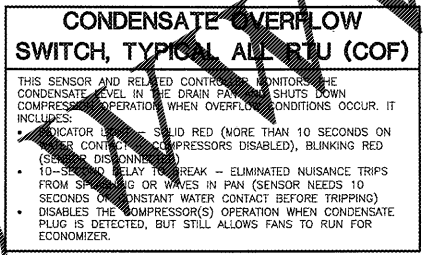
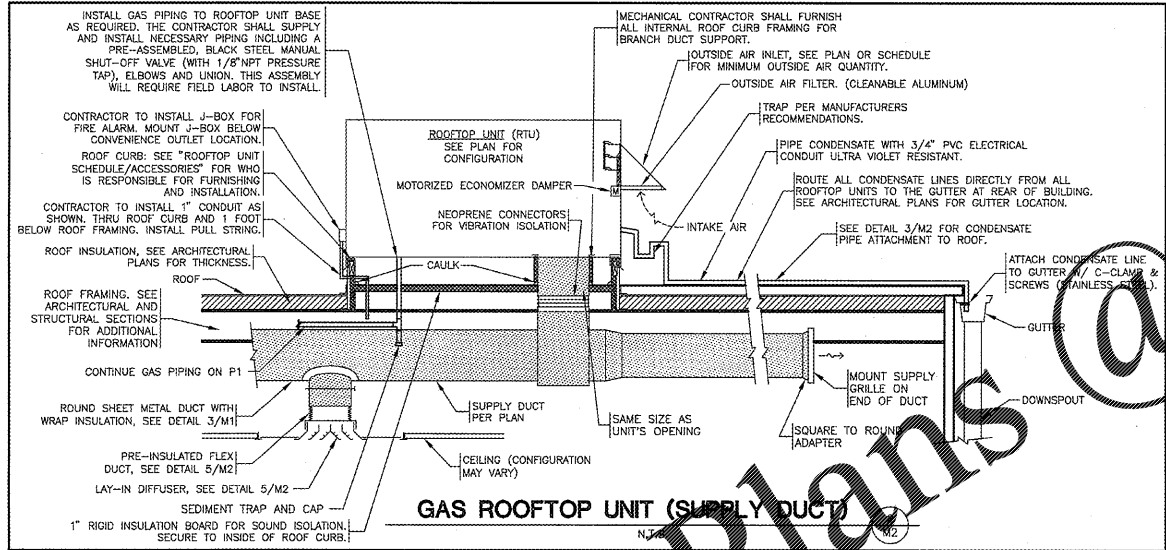
**ACCESSORIES - FACTORY SUPPLIED AND INSTALLED**  
 HE - STAINLESS STEEL GAS HEAT EXCHANGER, (HIGH HEAT) (15 YR. WARRANTY).  
 SD - RETURN AIR SMOKE DETECTOR.  
 COF - CONDENSATE OVERFLOW SWITCH (CAN'T BE USED WITH HORIZONTAL RETURN UNITS).  
 MB - MEDIUM STATIC BLOWER (SINGLE SPEED).  
 HG - LOUVERED HALL GUARDS.  
 UPO - UN-POWERED CONVENIENCE OUTLET (FIELD POWERED), 15AMP, 120V, GROUND FAULT CIRCUIT INTERRUPTER (GFCI) TYPE.  
 TBEG - THROUGH-THE-BOTTOM-ELECTRIC & GAS SERVICES, (SEE ROOF TOP UNIT DETAILS)  
 SS - HI & LOW REFRIGERANT SAFETY SWITCHES, (STANDARD ON EVERY UNIT)  
 AF - 2" RETURN AIR FILTERS, (STANDARD ON EVERY UNIT)  
 EC - ENTHALPY ECONOMIZER IV, W/BAROMETRIC RELIEF.

**ACCESSORIES - FACTORY SUPPLIED & FIELD INSTALLED**  
 CO2 - CO2 SENSOR, WALL MOUNT, #33ZCSP10C02LD-01  
 RTRS - REMOTE TEST/RESET STATION, CARRIER #50-TRM4(CRS0TES001400) FOR REMOTE TESTING/RESETTING OF DUCT SMOKE DETECTOR. SEE HVAC PLAN FOR MOUNTING LOCATIONS.  
 HSA - ALARM/SIROBE, CARRIER #6536-G5(CRS0HNSB001A00), AUDIBLE/VISUAL SIGNAL DEVICE FOR SIGNALING ALARM OF DUCT SMOKE DETECTOR. SEE HVAC PLAN FOR MOUNTING LOCATIONS.

**ACCESSORIES - O'REILLY SUPPLIED & FIELD INSTALLED**  
 TS1 - GRIDPOINT THERMOSTAT, (NO SUBSTITUTIONS). REFER TO EM SHEETS.  
 DS - NON-FUSED DISCONNECT SWITCH, (GRAYBAR/O'REILLY) SUPPLIED W/ ELECTRICAL BILL OF MATERIALS.

**REMARKS**  
 △ COOLING CAPACITY BASED ON 80°F EDB AND 67°F EWB.  
 △ CAPACITY BASED ON 95°F AMBIENT TEMPERATURE.  
 △ **NOTE: HVAC COMPLETION, AT CONSTRUCTION COMPLETION:**  
 1. CONTRACTOR SHALL REPLACE ALL RETURN AIR FILTERS INSIDE ALL HVAC UNITS W/CLEAN NEW AIR FILTERS.  
 2. CONTRACTOR SHALL SUPPLY AN ADDITIONAL CLEAN SET OF FILTERS TO THE OWNER AT JOB COMPLETION.  
 3. CONTRACTOR SHALL SHOW THE STORE MANAGER THE LOCATION OF & INSTRUCT HIM/HER HOW TO CHANGE ALL AIR FILTERS.

△ FACTORY EQUIPPED WITH STANDARD LOW AMBIENT COOLING TO 35°F ODB.  
 △ OUTSIDE AIR, SEE PLAN FOR UNIT(S) REQUIRING OUTSIDE AIR.  
 △ REFRIGERANT = R410A (PURON).  
 \* MAXIMUM CIRCUIT BREAKER OR TIME-DELAY FUSE.



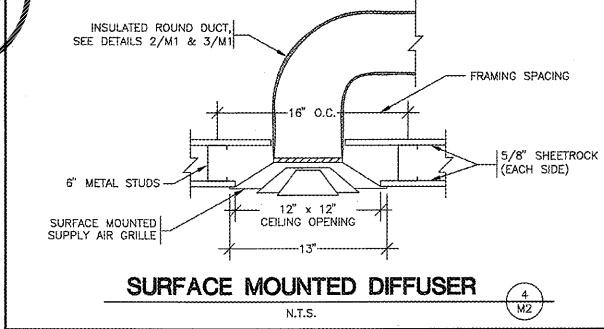
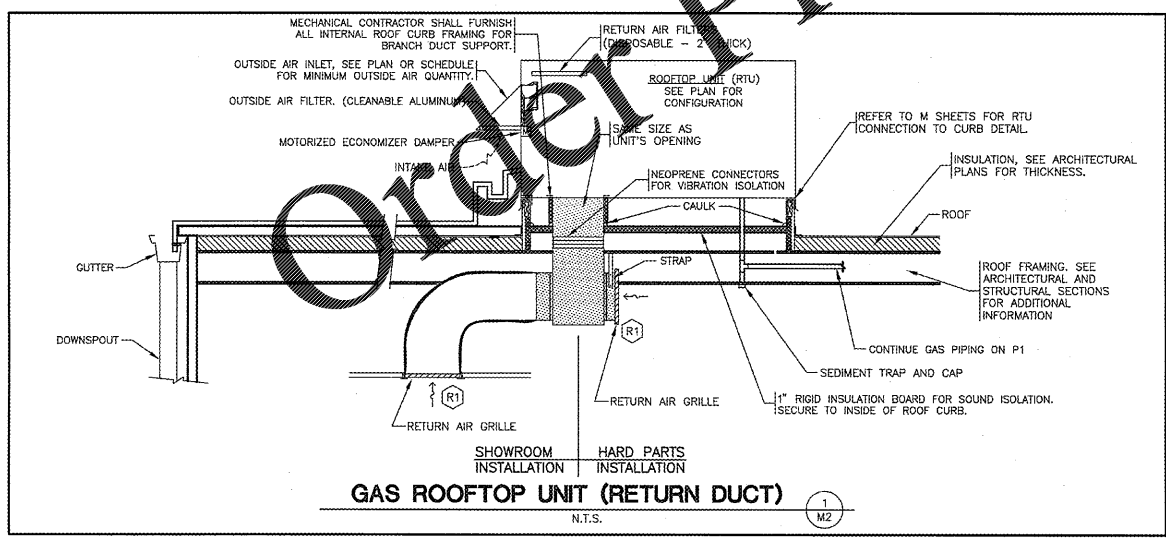
**FAN SCHEDULE**

MARK	DESCRIPTION	MFR.	CATALOG NUMBER	CFM (NOM)	STATIC PRESS.	MOTOR H.P.	V/PH	MCA	MOCP	ACCESSORIES	REMARKS	REF. DETAIL
EF-1	INLINE EXHAUST FAN	COOK	GN-642	500	0.1	195W	120/1	-	-	BD,DS,WC	△△	-
EF-2	INLINE FAN	COOK	GN-642	500	0.1	195W	120/1	-	-	BD,DS,SS	△△	-

**ACCESSORIES**  
 BD - GRAVITY BACK DRAFT DAMPER  
 DS - DISCONNECT SWITCH  
 WC - WALL CAP, "COOK" #WCA-6, ALUMINUM  
 SS - FAN SPEED SWITCH "COOK" #FSC (OFFICE ONLY)

**APPROVED ALTERNATE MANUFACTURER'S**  
 FANS: \*GREENHECK \*CARNES

**REMARKS**  
 △ ADJUST FOR CFM REQUIRED.  
 △ EXHAUST FAN SHALL BE WIRED BY THE ELECTRICAL CONTRACTOR TO OPERATE WITH EITHER RESTROOM'S LIGHT SWITCH.  
 △ FAN IN OFFICE TO BE CONTROLLED BY FAN SPEED SWITCH.



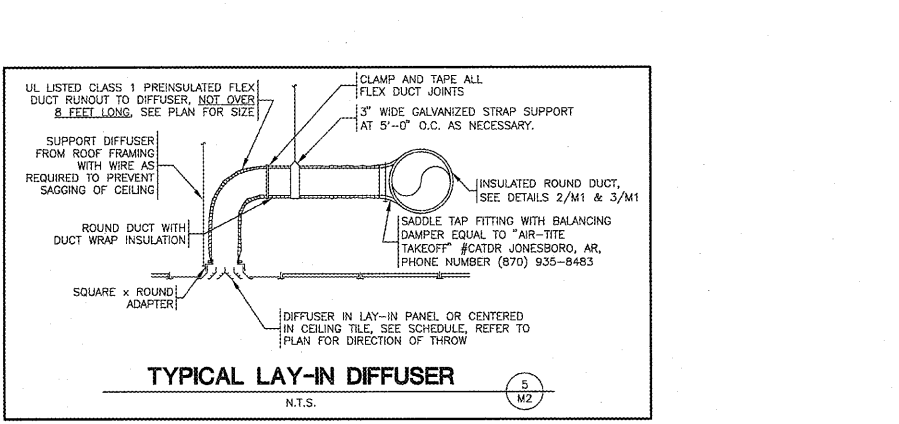
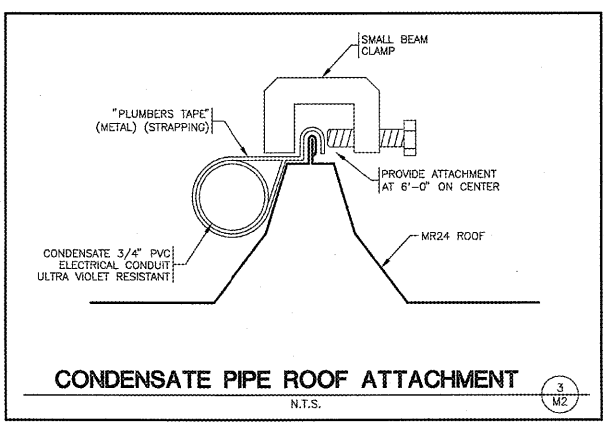
**GRILLE AND DIFFUSER SCHEDULE**

MARK	DESCRIPTION	MFR.	CATALOG NUMBER	SIZE (IN.)	FINISH	MOUNTING	BRANCH DUCT SIZE	ACCESSORIES	REMARKS	REF. DETAIL
①	SUPPLY GRILLE	ANEMOSTAT	SZHO	14x14	WHITE	DUCT	SEE PLAN	OB	△	-
②	SUPPLY DIFFUSER	ANEMOSTAT	E-1-D	12x12	WHITE	SURFACE	SEE PLAN	DT	△	4/M2
③	SUPPLY DIFFUSER	ANEMOSTAT	EPL	24x24	WHITE	DUCT/LAY-IN	SEE PLAN	-	△	5/M2
④	RETURN GRILLE	ANEMOSTAT	GC5	24x24	WHITE	LAY-IN/EXPOSED	SEE PLAN	-	NON-FILTERED	5/M2
⑤	RETURN GRILLE	ANEMOSTAT	GC5	12x12	WHITE	SURFACE	SEE PLAN	-	NON-FILTERED	4/M2
⑥	EXHAUST GRILLE	ANEMOSTAT	S3HS	12x12	WHITE	CEILING	SEE PLAN	OB	△	-

**ACCESSORIES**  
 OB - OPPOSED BLADE DAMPER.  
 DT - DIRECTIONAL TABS.

**APPROVED ALTERNATE MANUFACTURER'S**  
 GRILLES, DIFFUSERS & DAMPERS:  
 \*TITTLE & BAILEY \*NAILOR \*ARROW \*CARNES  
 \*PRICE INDUSTRIES \*TITUS \*KRUEGER

**REMARKS**  
 △ 1-WAY  
 △ 4-WAY  
 △ DIRECTIONAL TABS, ADJUST TO PROVIDE THROW AS INDICATED ON PLANS.



Camron K. Collins, P.E. #030587  
 3309 E. Bantowfield Rd. Suite 1000  
 Springfield, Missouri 65804  
 phone 417-881-0020  
 fax 417-881-0021  
 www.mfc.com  
**mfc**  
 Malone Finkle Eckhardt & Collins, Inc.  
 MALONE FINKLE ECKHARDT & COLLINS, INC.  
 1100 N. GARDNER AVE. SUITE 200  
 SPRINGFIELD, MISSOURI 65802  
 PHONE 417-882-6558  
 FAX 417-882-6265  
 www.mfe.com  
 e-mail: architect@cehtrysteel.com



**CRAIG A. SCHNEIDER, AIA**  
 ARCHITECT  
 1736 East Sunshine, Suite 417  
 Springfield, Missouri 65804  
 417-882-6558  
 417-882-6265  
 e-mail: architect@cehtrysteel.com

PROJECT:  
**NEW O'REILLY AUTO PARTS STORE**  
**N. MAIN STREET**  
**WALNUT COVE, NC**  
**HVAC DETAILS**

**O'Reilly AUTO PARTS**  
 CORPORATE OFFICES  
 233 SOUTH PATTERSON  
 SPRINGFIELD, MISSOURI 65802  
 (417) 882-2674 TELEPHONE

COMM # 4300  
 DATE: 3-22-19  
 REVISION  
 DATE: