

RECEIVED
MAR 21 2019
PROJECT: SITE 107
OFFICE: SPRINGFIELD, MO

AUTOMATIC LIGHTING CONTROL

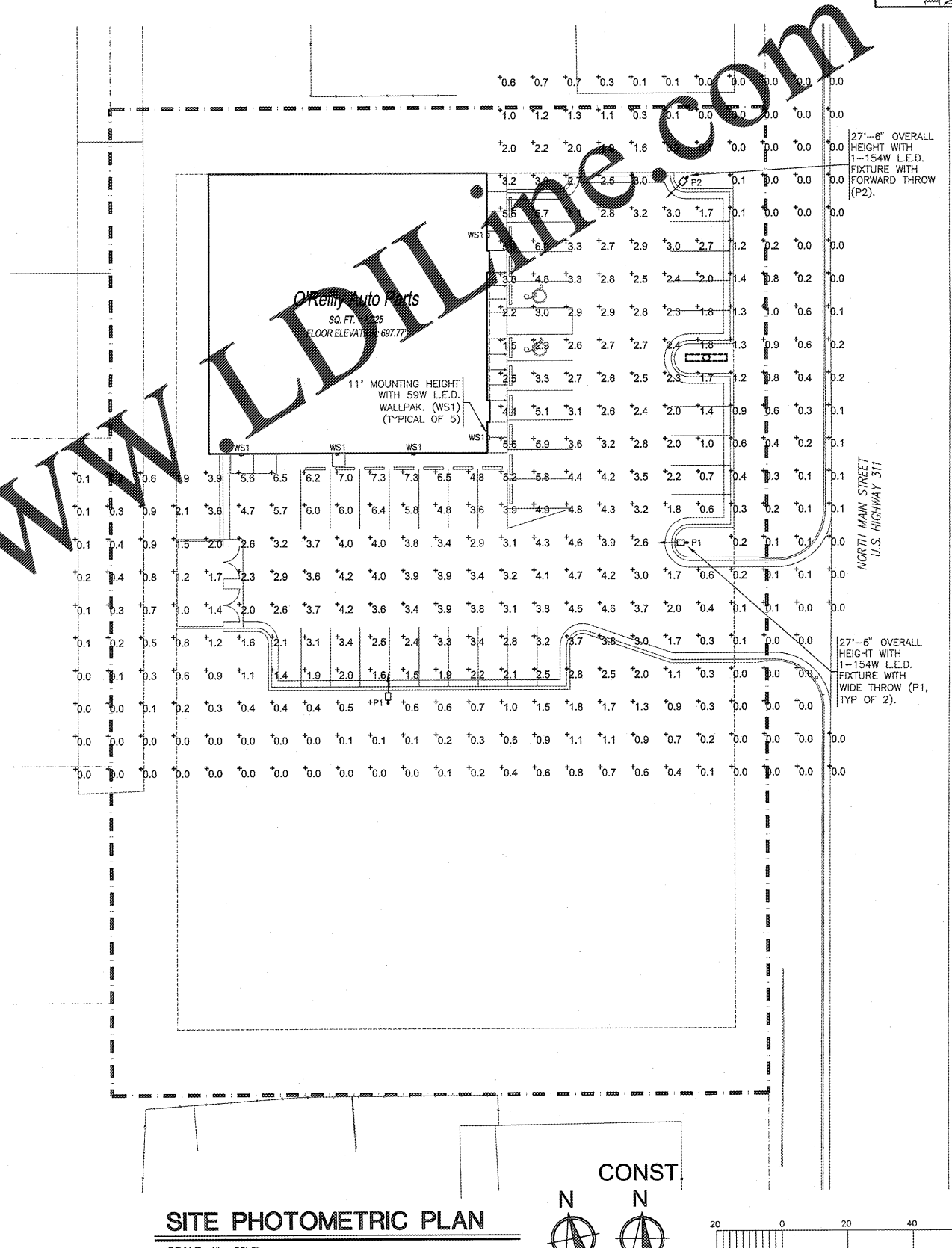
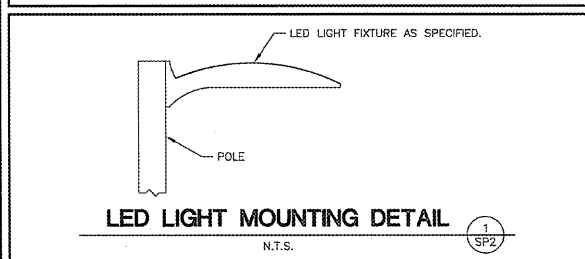
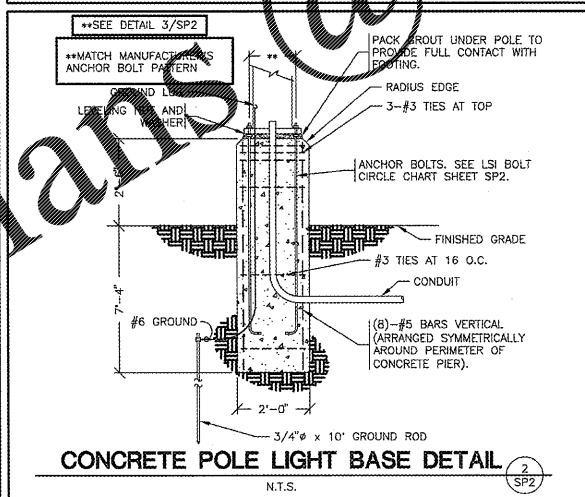
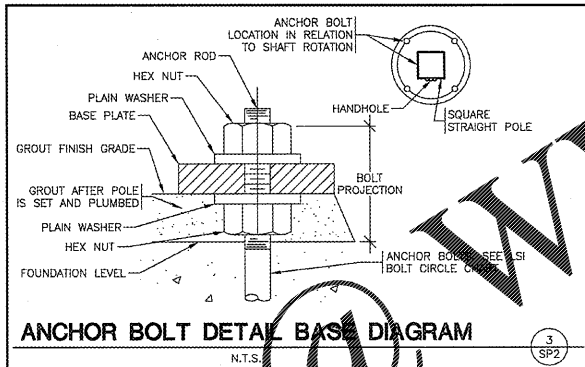
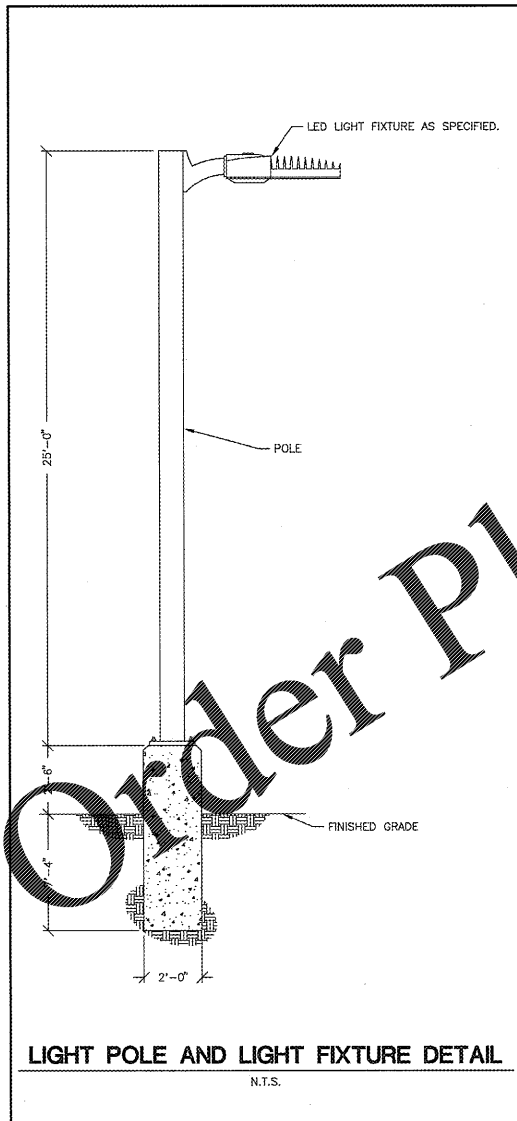
COMPLIANCE WITH ENERGY CODE IS ACHIEVED BY:

- ONCE THE EMS HAS BEEN PROGRAMMED, THE INTERIOR AND EXTERIOR LIGHTS WILL TURN ON AND OFF USING THE FOLLOWING LOGIC: SEE EM SHEETS.
 INTERIOR WORK LIGHTS WILL TURN ON WITH FIRST MOTION IN THE STORE AND WILL TURN OFF 15 MINUTES AFTER LAST MOTION ONCE THE STORE IS CLOSED.
 INTERIOR SALES LIGHTS WILL TURN ON AT STORE OPENING AND TURN OFF 15 MINUTES AFTER STORE CLOSING.
 EXTERIOR SIGN LIGHTS WILL TURN ON WHEN ITS DARK ENOUGH OUTSIDE ANYTIME DURING STORE HOURS, AND WILL TURN OFF AT STORE CLOSING.
 EXTERIOR SITE LIGHTS WILL TURN ON WHEN IT IS DARK ENOUGH OUTSIDE AND IT IS WITHIN STORE HOURS OR THERE IS MOTION IN THE STORE, THEY WILL TURN OFF 30 MINUTES AFTER LAST MOTION ONCE THE STORE IS CLOSED.
 FOR NEW CONSTRUCTION LOCATIONS ONLY, THERE IS A TEMPORARY PROGRAM TO KEEP SIGN AND SITE LIGHTS ON UNTIL MIDNIGHT RATHER THAN THE TIMES INDICATED ABOVE. O'REILLY WILL DISABLE THIS PROGRAM ONE YEAR AFTER STORE OPENING.
- RESTROOMS AND OFFICES: ALL LIGHTING IN THESE AREAS ARE CONTROLLED BY OCCUPANT-SENSING DEVICES.

EXTERIOR LIGHT FIXTURE SCHEDULE

ALL ITEMS LISTED ON THE "LIGHT FIXTURE SCHEDULE" WILL BE SUPPLIED BY THE OWNER (O'REILLY). ITEMS SHALL BE DIRECT ORDERED AND OR RELEASED FROM THE LISTED ELECTRICAL EQUIPMENT DISTRIBUTOR:		GRAYBAR ELECTRIC CO. INC. 17885 LACKLAND ROAD ST. LOUIS, MO 63143		GRAYBAR O'REILLY TEAM EMAIL: oreilly@graybar.com TOLL FREE: (314) 573-2080				
MARK	MFR.	CATALOG NUMBER	SUPPLY VOLTAGE	FINISH	MOUNTING SURFACE WALL SURF. CEILING OTHER	LAMPS TYPE QUANTITY	WATTAGE	NOTES
LED EXTERIOR LIGHTS								
WS1	LSI	XWM-FT-LED-08L-50-UE-BRZ NO SUBSTITUTIONS	120	DARK BRONZE	X	X	59	FULL CUT-OFF, BUG RATING B1-U0-G1. ARCHITECTURAL ELEVATIONS SHOW DIMENSIONED LOCATIONS.
LED POLE LIGHTS								
P1	LSI	MRM-LED-18L-SIL-3-UNV-DM-50-80CRI-BRZ-IL	120	DARK BRONZE	X	X	154	25' POLE LENGTH, FULL CUT-OFF, NO SUBSTITUTIONS. ANCHOR BOLTS W/HARDWARE & TEMPLATE, WITH INTERNAL LOUVER HOUSE SIDE SHIELD, BUG RATING B2-U0-G3
	LSI	5SQB3-S11G-25-S-BRZ-LAB-5BC						
P2	LSI	MRM-LED-18L-SIL-FT-UNV-DM-50-80CRI-BRZ-IL	120	DARK BRONZE	X	X	154	25' POLE LENGTH, FULL CUT-OFF, NO SUBSTITUTIONS. ANCHOR BOLTS W/HARDWARE & TEMPLATE, WITH INTERNAL LOUVER HOUSE SIDE SHIELD, BUG RATING B2-U0-G3
	LSI	5SQB3-S11G-25-S-BRZ-LAB-5BC						

FIXTURE QUANTITY TO BE VERIFIED WITH SITE PLAN QUANTITY



Carolee K. Collins, P.E. #03087
3333 E. Bartlesville Rd., Suite 1000
Springfield, Missouri 65703
Phone: 417.862.3265
Fax: 417.862.3265
mtec.com
Malone Finkle Eckhardt & Collins, Inc.
A PROFESSIONAL ENGINEERING FIRM



Craig A. Schneider, AIA
ARCHITECT
1736 East Sunshine, Suite 417
Springfield, Missouri 65804
e-mail: architect@estortyschneider.com

PROJECT:
NEW O'REILLY AUTO PARTS STORE
N. MAIN STREET
WALNUT COVE, NC
SITE PHOTOMETRIC PLAN

O'Reilly AUTO PARTS
CORPORATE OFFICES
233 SOUTH PATTERSON
SPRINGFIELD, MISSOURI 65802
(417) 862-2674 TELEPHONE

COMM # 4300
DATE: 3-22-19
REVISION
DATE:

SP1

H:\ONE\0790\1\0790SF1_21 Mar 2019 -- 6:35 am