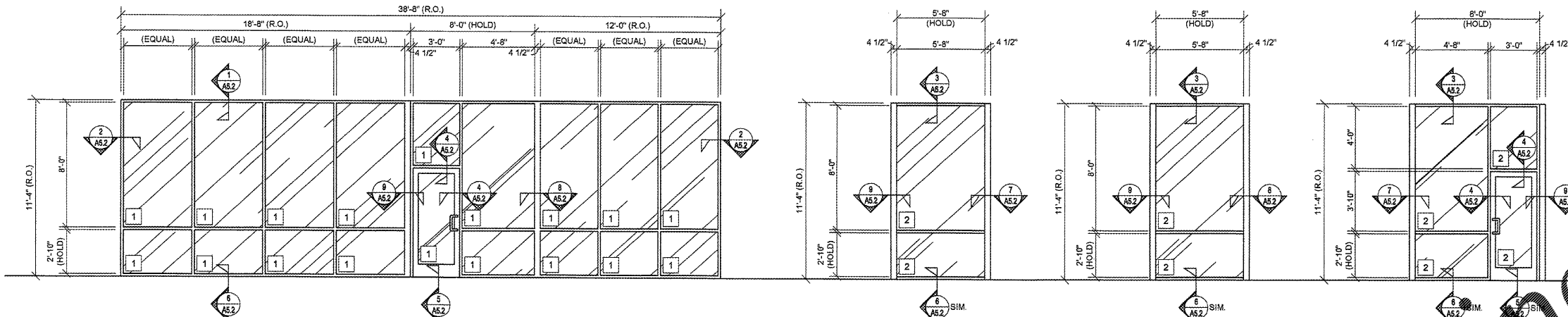


WINDOW TYPES

GENERAL NOTES

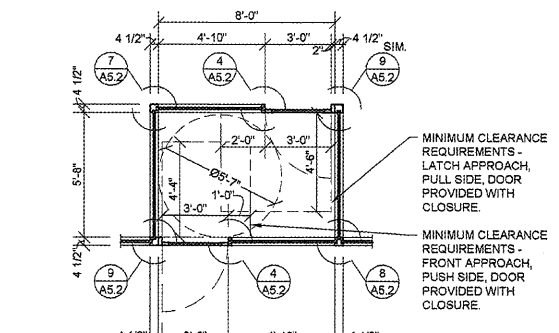
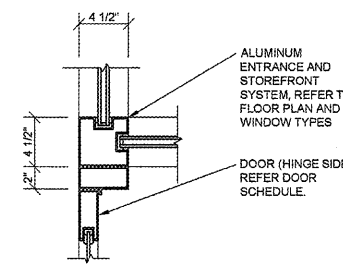
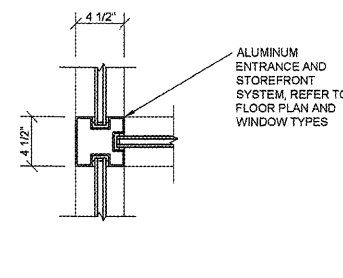
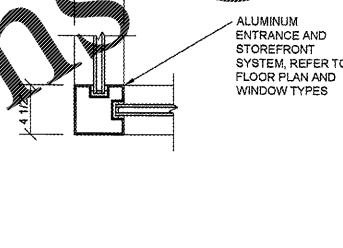
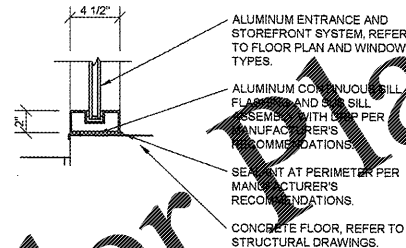
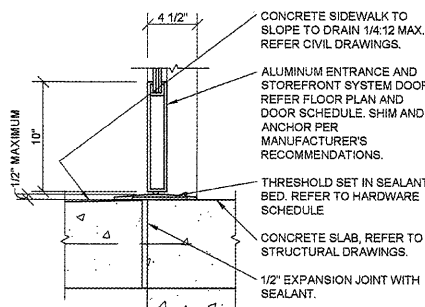
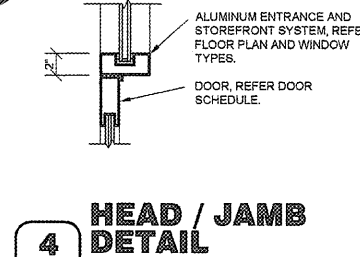
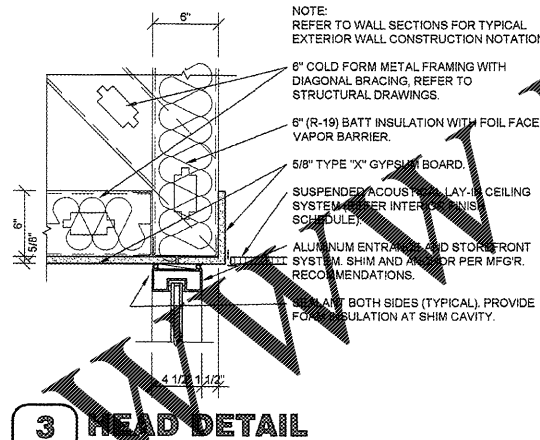
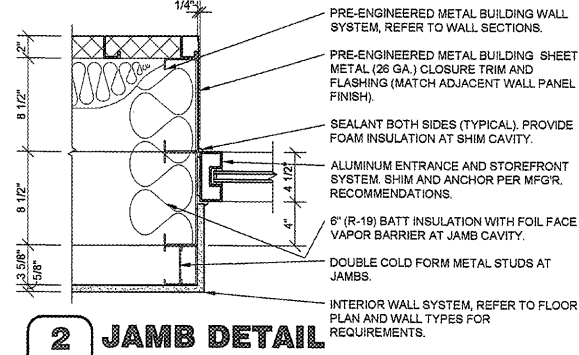
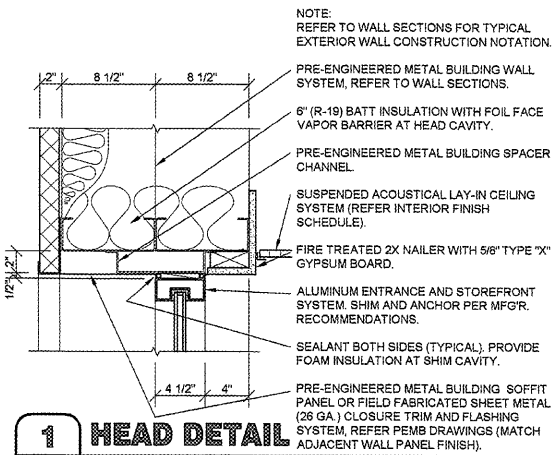


- (A) REFER TO PROJECT MANUAL FOR ADDITIONAL REQUIREMENTS.
- (B) REFER TO BUILDING CODE SUMMARY FOR PROJECT STRUCTURAL DESIGN CRITERIA. WINDOW FRAMING AND ANCHORING SYSTEMS SHALL BE DESIGNED BY MANUFACTURER TO CONFORM TO PERFORMANCE AND TESTING REQUIREMENTS SPECIFIED.
- (C) REFER TO FLOOR PLAN, ELEVATIONS, AND SECTIONS FOR ADDITIONAL REQUIREMENTS.
- (D) WINDOW TYPE ELEVATIONS SHOWN VIEWED FROM EXTERIOR SIDE.
- (E) REFER TO EXTERIOR FINISH SCHEDULES FOR ALUMINUM WINDOW FRAMING COLORS. PERIMETER SEALANT COLOR TO MATCH WINDOW FRAMING COLOR UNLESS OTHERWISE INDICATED.
- (F) ALL DIMENSIONS TO FINISH FACE OF FRAMING UNLESS OTHERWISE INDICATED. FIELD VERIFY ALL ROUGH OPENINGS PRIOR TO BRCA.
- (G) REFER TO DOOR AND HARDWARE SCHEDULES FOR ADDITIONAL REQUIREMENTS.
- (H) SECURITY SHUTTERS MAY BE REQUIRED. CONTACT PROJECT ADMINISTRATOR FOR VERIFICATION. (REFER TO SCOPE OF WORK SCHEDULE). PROVIDE ADDITIONAL SUPPORT FRAMING SYSTEM AS REQUIRED.
- (I) WHEN WIND SPEED IS EQUAL TO OR GREATER THAN 120 MPH, A STORM PANEL SYSTEM SHALL BE OWNER FURNISHED AND INSTALLED. CONTACT PROJECT ADMINISTRATOR TO VERIFY AND COORDINATE WITH SYSTEM PROVIDED BY OTHERS. (REFER TO SCOPE OF WORK SCHEDULE). PROVIDE ADDITIONAL SUPPORT FRAMING SYSTEM AS REQUIRED.
- (J) CONTRACTOR'S OPTION TO DIRECT ORDER AND PURCHASE WINDOW FRAMING SYSTEM AND GLAZING FROM THE FOLLOWING SUPPLIER (REFER TO SCOPE OF WORK SCHEDULE):

COULTER & COMPANY
 13711 E. 66TH ST. N.
 OWASSO, OK 74065
 PHONE: (918) 272-4494
 FAX: (918) 272-7908
 EMAIL: carl@coulterglass.com
 CONTACT: Carl Yorman

GLAZING SCHEDULE

- 1 1" INSULATED SAFETY GLAZING (1/4" VITRO "SOLEXIA" EXTERIOR PANE / 1/4" CLEAR INTERIOR PANE) SHADING COEFFICIENT 0.57
- 2 1" INSULATED SAFETY GLAZING (1/4" CLEAR EXTERIOR PANE / 1/4" CLEAR INTERIOR PANE) SHADING COEFFICIENT 0.81



Order Plans @ WWW.LDILINE.COM



CRAG A. SCHNEIDER, AIA
 ARCHITECT
 1736 East Sunshine, Suite 417
 Springfield, Missouri 65804
 417.862.0558
 417.862.3265
 Fax: 417.862.3265
 e-mail: architect@enterschnelder.com

PROJECT:
NEW O'REILLY AUTO PARTS STORE
N. MAIN ST.
WALNUT COVE, NC
WINDOW SCHEDULE

O'Reilly AUTO PARTS
 CORPORATE OFFICES
 233 SOUTH PATTERSON
 SPRINGFIELD, MISSOURI 65802
 (417) 862-2674 TELEPHONE

COMM # 4300
 DATE: 3-22-19
 REVISION
 DATE: