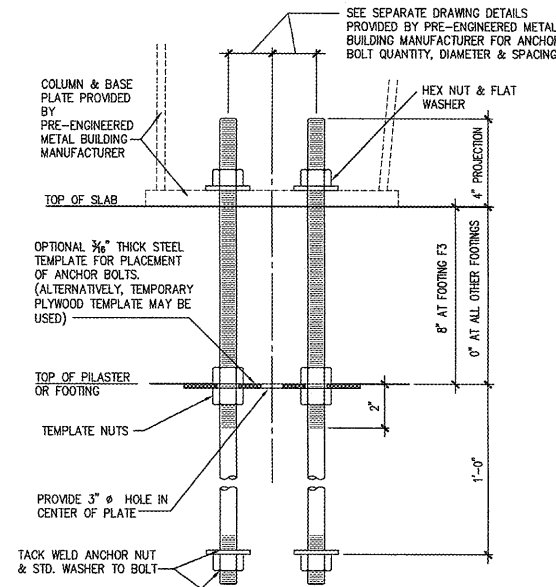
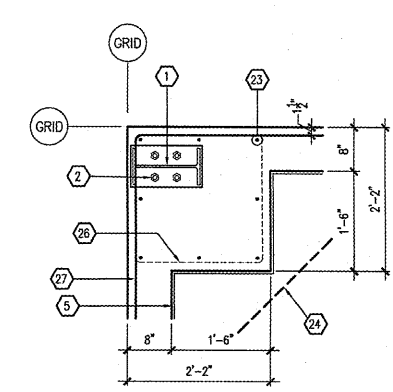


RECEIVED
MAR 21 2019
1736 EAST SUNSHINE ST. SUITE 417
SPRINGFIELD, MO

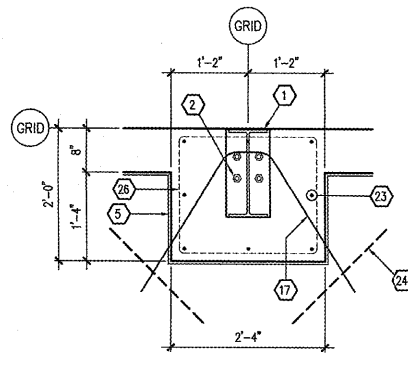


NOTE: ANCHOR BOLT ASSEMBLY TO BE PLACED IN FORM PRIOR TO POURING CONCRETE. BOLT MATERIAL MAY BE F1554 GR. 36, OR CONTINUOUSLY THREADED A36 ROD. ALL ANCHOR BOLTS SHALL BE CLEAN AND FREE OF ALL OIL, GREASE, ICE, ETC.

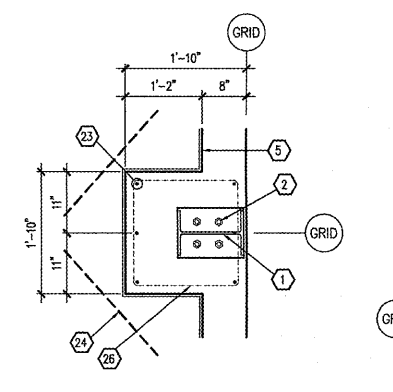
1 SHOP FABRICATED ANCHOR ASSEMBLY
S3.2 SCALE: NONE
(DO NOT SHIP UNASSEMBLED TO FIELD)



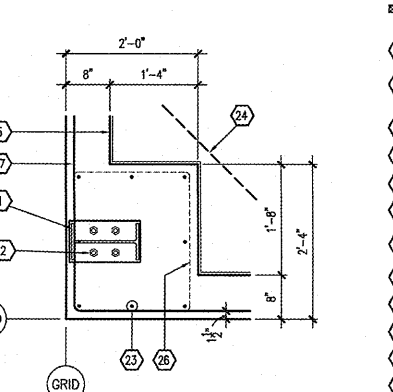
2 DETAIL
S3.2 SCALE: 3/4" = 1'-0"



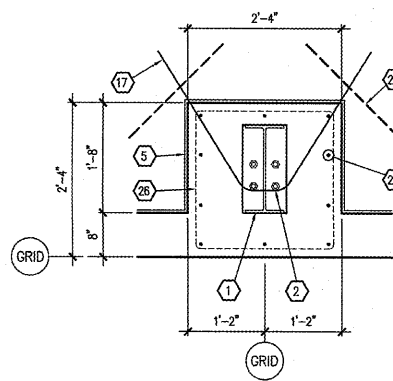
3 DETAIL
S3.2 SCALE: 3/4" = 1'-0"



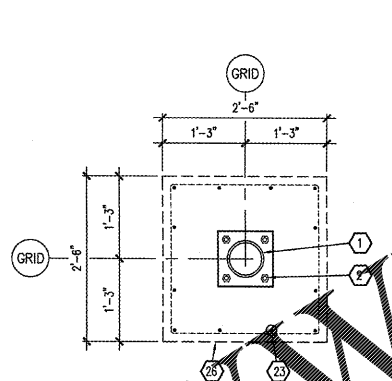
4 DETAIL
S3.2 SCALE: 3/4" = 1'-0"



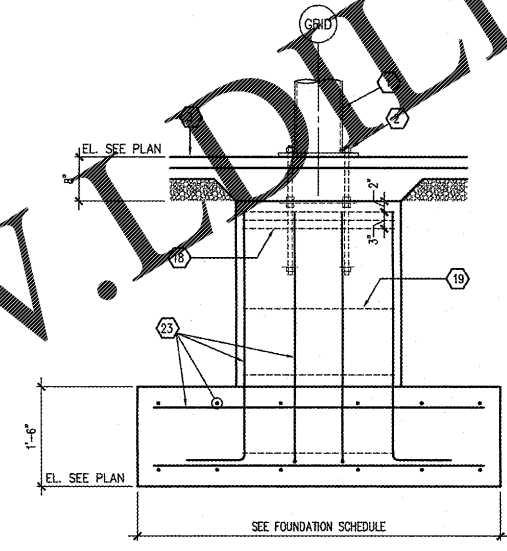
5 DETAIL
S3.2 SCALE: 3/4" = 1'-0"



6 DETAIL
S3.2 SCALE: 3/4" = 1'-0"



7 DETAIL
S3.2 SCALE: 3/4" = 1'-0"



8 SECTION
S3.2 SCALE: 3/4" = 1'-0"

KEYNOTES

- 1 PRE-ENGINEERED METAL BUILDING STRUCTURAL SYSTEM. SEE P.E.M.B. SHOP DRAWINGS FOR ADDITIONAL INFORMATION.
- 2 ANCHOR BOLTS. SEE FOUNDATION SCHEDULE AND PRE-ENGINEERED METAL BUILDING DRAWINGS FOR SIZE, QUANTITY AND PLAN LOCATION. SEE 1/S3.2 FOR TYPICAL SHOP FABRICATED ANCHOR ASSEMBLY.
- 3 INTERIOR CONCRETE SLAB SEE FOUNDATION PLAN.
- 4 #4 CONTINUOUS
- 5 1/2" ISOLATION JOINT WITH ASPHALTIC FILLER & SEALANT
- 6 TAPER TOP OF RIGID INSULATION 45 DEGREES AS SHOWN. POUR SLAB OVER INSULATION.
- 7 RIGID INSULATION BOARD LOCATED AS SHOWN AT PERIMETER OF BUILDING. (R-10 MINIMUM REQUIRED).
- 8 #4'S CONTINUOUS AT 12" O.C.
- 9 #4 BENT DOWELS @ 18" O.C. TAGGER LOCK AS SHOWN
- 10 (3) #4'S CONTINUOUS
- 11 SEE GRADING PLAN FOR FINISHED GRADES.
- 12 PAVING, SEE SITE DEVELOPMENT DRAWINGS FOR ADDITIONAL INFORMATION.
- 13 ENTRY LOCATIONS DRILL 6" DEEP HOLES FOR #4x1'-6" DOWELS @ 24" O.C. DRILL AND PLACE INTO FOUNDATION. FOLLOW ADHESIVE INSTRUCTIONS SPECIFIED BY MANUFACTURER.
- 14 #4x4'-0" DOWEL @ 18" O.C. FIELD BEND AS SHOWN
- 15 ENTRY SLAB, SEE PLAN.
- 16 EXTERIOR CONCRETE SLAB OR SIDEWALK SEE FOUNDATION PLAN. REFER TO SITE DEVELOPMENT DRAWINGS FOR ALL EXTERIOR TOP OF CONCRETE ELEVATIONS.
- 17 #5 SLAB HAIRPIN. SEE DETAIL 4/S3.1
- 18 (3) #3 TIES @ 12" O.C.
- 19 #3 TIES @ 12" O.C.
- 20 PROVIDE EXTERIOR FINISH AT TOP OF STEM WALL (SLOPE AS NECESSARY) WITH SMOOTH TRANSITION BETWEEN TOP OF STEM WALL AND TOP OF SLAB.
- 21 STEM WALL AND FOOTING REINFORCEMENT TO RUN CONTINUOUS THROUGH COLUMN PILASTERS AND SPREAD FOOTINGS.
- 22 LINE OF STEM WALL AND FOOTING BEYOND
- 23 SEE FOUNDATION SCHEDULE FOR FOOTING & PILASTER REINFORCEMENT.
- 24 #4x4'-0" DOWEL CENTERED IN SLAB. TURN 45 DEGREES AS SHOWN
- 25 STEEL BOLLARD SEE SITE PLAN.
- 26 REFER TO SECTIONS FOR REBAR TIE SIZE AND SPACING.
- 27 #4 CORNER REINFORCEMENT TO MATCH STEM WALL BAR SPACING.

Order Plans @ www.lollline.com



CRAIG A. SCHNEIDER, AIA
ARCHITECT
1736 East Sunshine, Suite 417
Springfield, Missouri 65804
417-862-0558
417-862-3265
e-mail: architect@estortyschneider.com

PROJECT:
NEW O'REILLY AUTO PARTS STORE
N. MAIN ST.
WALNUT COVE, NC
FOUNDATION DETAILS

O'Reilly AUTO PARTS
CORPORATE OFFICES
233 SOUTH PATTERSON
SPRINGFIELD, MISSOURI 65802
(417) 862-2674 TELEPHONE

COMM # 4300
DATE: 3-22-19
REVISION
DATE:

Jeffrey S. Smith, P.E.
Jeffrey S. Smith P.E. 12812
1801 W 32nd St Bldg B Ste 104 * JOPLIN, MISSOURI 64804
P.O. Box 8102 * JOPLIN, MISSOURI 64802
PHONE: 417-624-0444 * FAX: 417-624-0430