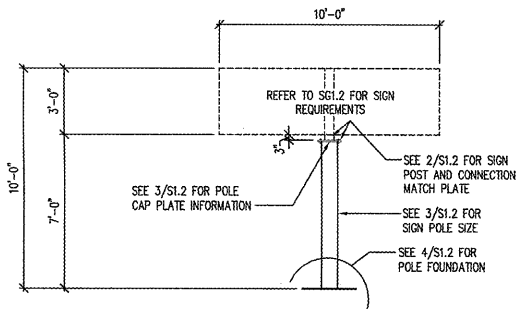
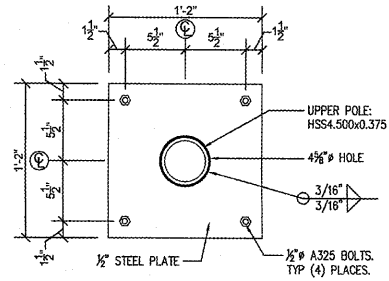


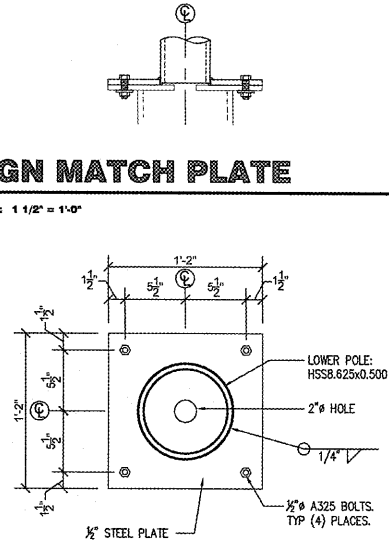
RECEIVED
MAR 21 2019
1736 BENTON BLVD, SUITE 417
SPRINGFIELD, MO



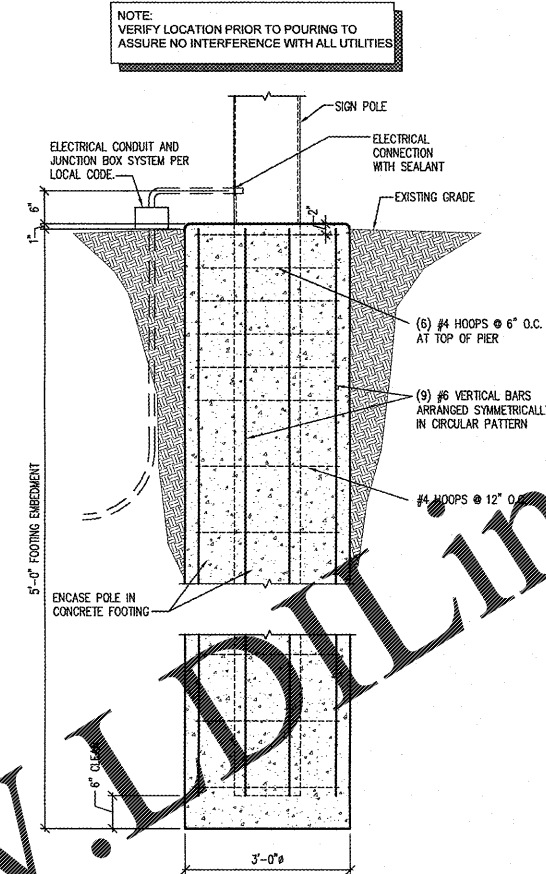
1 GROUND SIGN ELEVATION
S1.2 SCALE: 1/4" = 1'-0" (SEE SITE PLAN FOR LOCATION)



2 SIGN MATCH PLATE
S1.2 SCALE: 1 1/2" = 1'-0"



3 POLE CAP PLATE
S1.2 SCALE: 1 1/2" = 1'-0"



4 POLE FOUNDATION SECTION
S1.2 SCALE: 3/4" = 1'-0"

GENERAL NOTES

- A. REFER TO PROJECT MANUAL FOR ADDITIONAL REQUIREMENTS.
- B. CONTACT OWNER'S OR TENANT'S DESIGNATED PROJECT ADMINISTRATOR FOR QUESTIONS OR CLARIFICATIONS.
- C. SITE SIGN FOUNDATIONS AND ROUGH-IN ELECTRICAL TO BE PROVIDED BY CONTRACTOR.
- D. REQUIRED GOVERNMENTAL PERMITS FOR PERMANENT TYPE SIGNAGE TO BE PROVIDED BY OWNER OR OTHERS (N.L.C.).

DESIGN CRITERIA

- A. GOVERNING BUILDING CODE
2018 NORTH CAROLINA BUILDING CODE
- B. WIND CRITERIA:
B.1. RISK CATEGORY
B.2. $V_{wz} = 115$
B.3. $V_{wz} = 89.1$ mph
B.4. EXPOSURE 'C'
- C. SEISMIC CRITERIA:
1. SITE CLASS =
2. $SD_1 = B$
3. $S = 0.176$
4. $S_{D1} = 0.082$
5. $S_{D2} = 0.188$
6. $S_{D3} = 0.131$

STRUCTURAL NOTES

- A. A GEOTECHNICAL ANALYSIS HAS BEEN PERFORMED ON THIS SITE. SEE PROJECT MANUAL FOR GEOTECHNICAL INFORMATION. APPROPRIATE RECOMMENDATIONS STATED IN THE GEOTECHNICAL REPORT ISSUED BY ECS SOUTHEAST, LLP DATED JANUARY 30, 2019 SHALL BE FOLLOWED.
- B. THESE FOUNDATIONS HAVE BEEN DESIGNED FOR A VERTICAL SOIL BEARING OF 2500 psf AND LATERAL BEARING OF 300 psf. (NOTE: LATERAL EARTH PRESSURE INCREASED IN ACCORDANCE WITH DESIGN PROVISIONS FOR ISOLATED POLE FOUNDATIONS SUBJECT TO TRANSIENT LATERAL LOADS.)
- C. BRACE POLE SIGN AGAINST LATERAL FORCES UNTIL CONCRETE HAS REACHED SPECIFIED COMPRESSIVE DESIGN STRENGTH.
- D. ALL READY MIX CONCRETE SHALL BE 4000 psi FOR ALL CONCRETE PLACEMENT. DO NOT ADD WATER TO THE MIX DESIGN AFTER DELIVERY TO THE PROJECT SITE.
- E. EXPOSED EXTERIOR CONCRETE SHALL BE AIR-ENTRAINED (TOTAL AIR CONTENT = 5%).
- F. HOT OR COLD WEATHER CONCRETING SHALL BE IN ACCORDANCE WITH ACI 305-99 AND ACI 306-1-90, RESPECTIVELY.
- G. ANY CONCRETE PLACED BY MEANS OF PUMPING SHALL BE DONE IN ACCORDANCE WITH ACI 304.2R (82).
- H. CEMENT SHALL CONFORM TO A.S.T.M. C-150 TYPE III.
- I. AGGREGATES SHALL CONFORM TO A.S.T.M. C-33 FOR NORMAL WEIGHT CONCRETE.
- J. READY MIX CONCRETE SHALL BE MIXED AND DELIVERED IN ACCORDANCE WITH A.S.T.M. C-94.
- K. ADMIXTURES MAY BE USED WITH THE APPROVAL OF THE STRUCTURAL ENGINEER. ADMIXTURES USED TO INCREASE THE WORKABILITY OF THE CONCRETE SHALL NOT BE CONSIDERED TO REDUCE THE CEMENT CONTENT. NO CALCIUM CHLORIDE ADMIXTURES ALLOWED.
- L. FABRICATOR QUALIFICATIONS: FABRICATOR MUST PARTICIPATE IN THE AISC QUALITY CONTROL PROGRAM AND BE DESIGNATED AN AISC-CERTIFIED PLANT.
- M. MATERIALS:
• STRUCTURAL STEEL..... ASTM A992, GRADE 50ksi
• PLATES, ANGLES, AND MISC STEEL..... ASTM A36ksi
• ANCHOR RODS..... ASTM F1554, GRADE 36
• HIGH STRENGTH BOLTS..... ASTM A325
(OF NORTH AMERICAN MANUFACTURE)
• WELDING ELECTRODES..... AWS A5.1 (E70XX)
• PIPE..... ASTM A53, GRADE B
• ROUND HSS..... ASTM A500, GRADE B, Fy = 42ksi

Order Plans @ www.IDLine.com



CRAIG A. SCHNEIDER, AIA
ARCHITECT
1736 Bent Sunbanc, Suite 417
Springfield, Missouri 65804
417-862-0558
417-862-3265
e-mail: architect@ostertyschneider.com

PROJECT:
NEW O'REILLY AUTO PARTS STORE
N. MAIN ST.
WALNUT COVE, NC
SITE SIGNAGE DETAILS

O'Reilly AUTO PARTS
CORPORATE OFFICES
1100 N. MAIN ST.
SPRINGFIELD, MISSOURI 65802
(417) 862-2674 TELEPHONE

COMM # 4300
DATE: 3-22-19
REVISION
DATE:

Jeffrey S. Smith, P.E.
Jeffrey S. Smith P.E. 12812
1801 W 32nd St Bldg B Ste 104 * JOPLIN, MISSOURI 64804
P.O. Box 8102 * JOPLIN, MISSOURI 64802
PHONE: 417-624-0444 * FAX: 417-624-0430