

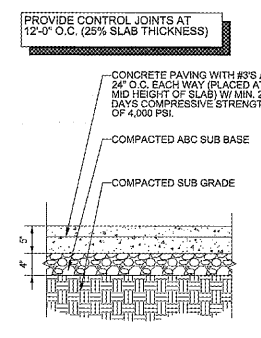
**CRAIG A. SCHNEIDER, AIA**  
ARCHITECT  
1736 East Sunshine, Suite 417  
Springfield, Missouri 65804  
e-mail: architect@esterlyschneider.com

PROJECT: **NEW O'REILLY AUTO PARTS STORE**  
N. MAIN ST.  
WALNUT COVE, NC

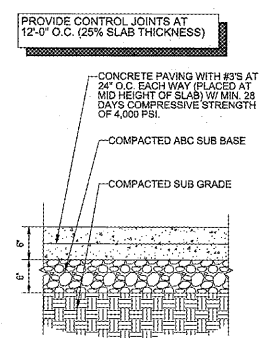
**O'Reilly AUTO PARTS**  
CORPORATE OFFICES  
233 SOUTH PATTERSON  
SPRINGFIELD, MISSOURI 65802  
(417) 862-2674 TELEPHONE

COMM # 4300  
DATE: 3-22-19  
REVISION DATE:  
REVISION DATE:

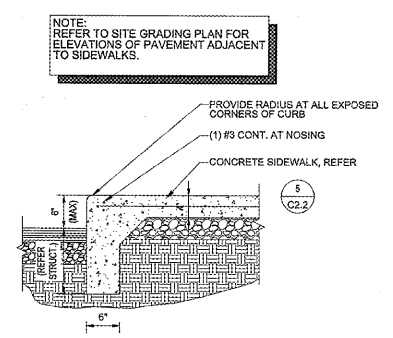
**C2.2**



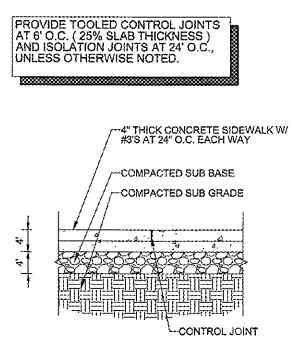
**1 CONCRETE (STANDARD DUTY) PAVING SECTION**  
C2.2 SCALE: 3/4" = 1'-0"



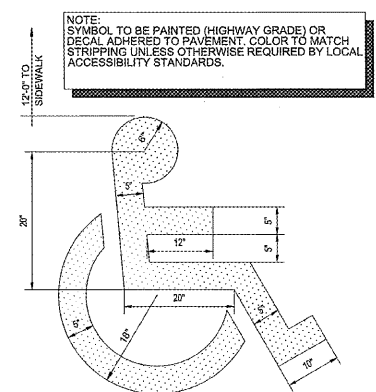
**2 CONCRETE (HEAVY DUTY) PAVING SECTION**  
C2.2 SCALE: 3/4" = 1'-0"



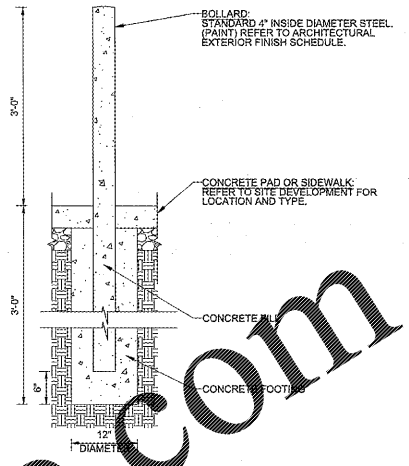
**4 CONCRETE SIDEWALK CURB SECTION**  
C2.2 SCALE: 3/4" = 1'-0"



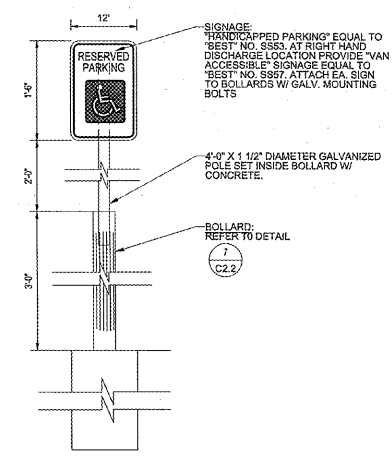
**5 CONCRETE SIDEWALK SECTION**  
C2.2 SCALE: 3/4" = 1'-0"



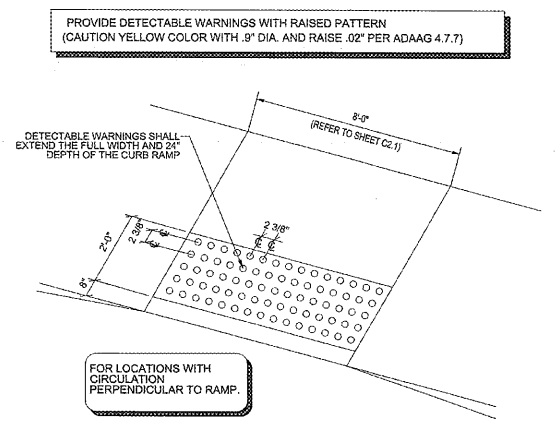
**6 ACCESSIBLE PARKING PAVEMENT STRIPING DETAIL**  
C2.2 SCALE: 3/4" = 1'-0"



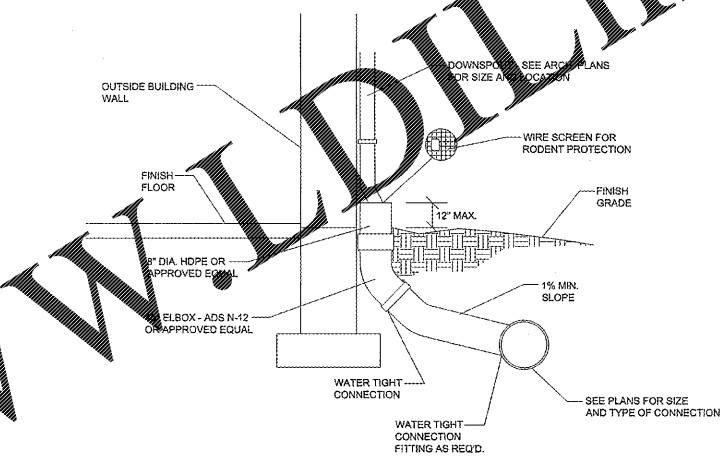
**7 STEEL BOLLARD SECTION**  
C2.2 SCALE: 3/4" = 1'-0"



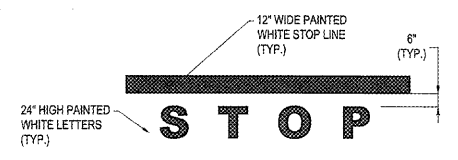
**8 HANDICAPPED PARKING SIGN DETAIL**  
C2.2 SCALE: 3/4" = 1'-0"



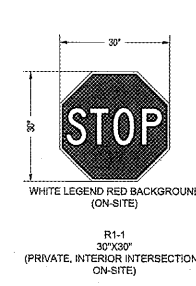
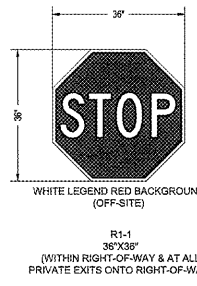
**9 DETECTABLE WARNING DETAIL**  
C2.2 SCALE: (NOT TO SCALE)



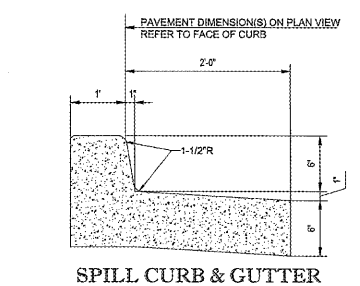
**13 DOWNSPOUT COLLECTION DETAIL**  
C2.2 SCALE: (NOT TO SCALE)



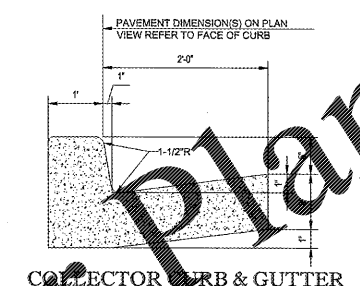
**14 STOP BAR DETAIL**  
C2.2 SCALE: (NOT TO SCALE)



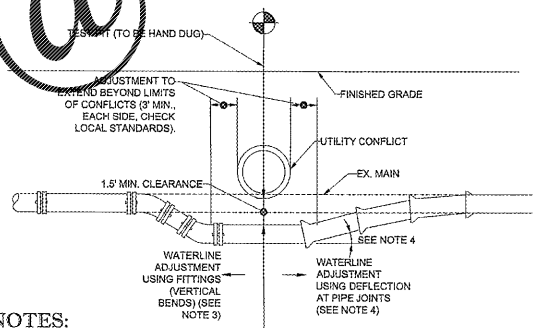
**15 STOP SIGN DETAIL**  
C2.2 SCALE: (NOT TO SCALE)



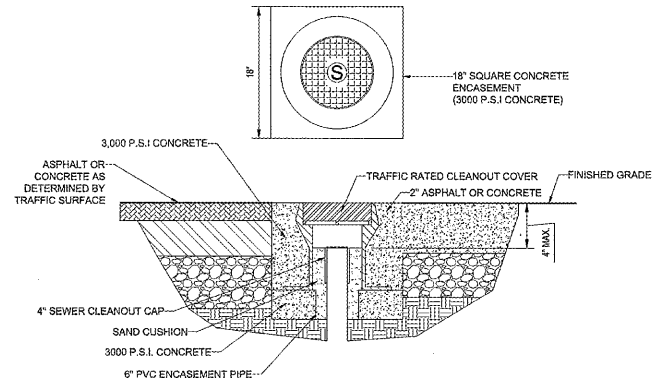
**16 CURB AND GUTTER DETAILS**  
C2.2 SCALE: (NOT TO SCALE)



**17 WATER LINE ADJUSTMENT DETAIL**  
C2.2 SCALE: (NOT TO SCALE)



**18 TRAFFIC RATED CLEANOUT DETAIL**  
C2.2 SCALE: (NOT TO SCALE)



**19 SPILL CURB & GUTTER**  
C2.2 SCALE: (NOT TO SCALE)

**20 COLLECTOR CURB & GUTTER**  
C2.2 SCALE: (NOT TO SCALE)



**BOHLER ENGINEERING NC, PLLC**  
4130 PAROLINE AVENUE, SUITE 100 RALEIGH, NC 27612  
PHONE: (919) 979-8000 FAX: (919) 733-2555  
PROJECT No.: NCR182158 SCALE:  
DRAWN BY / CHECKED BY: CB/WLB CAD I.D.: NCR182158-SDP-0

WWW.DI.LINE.COM

Order Plans