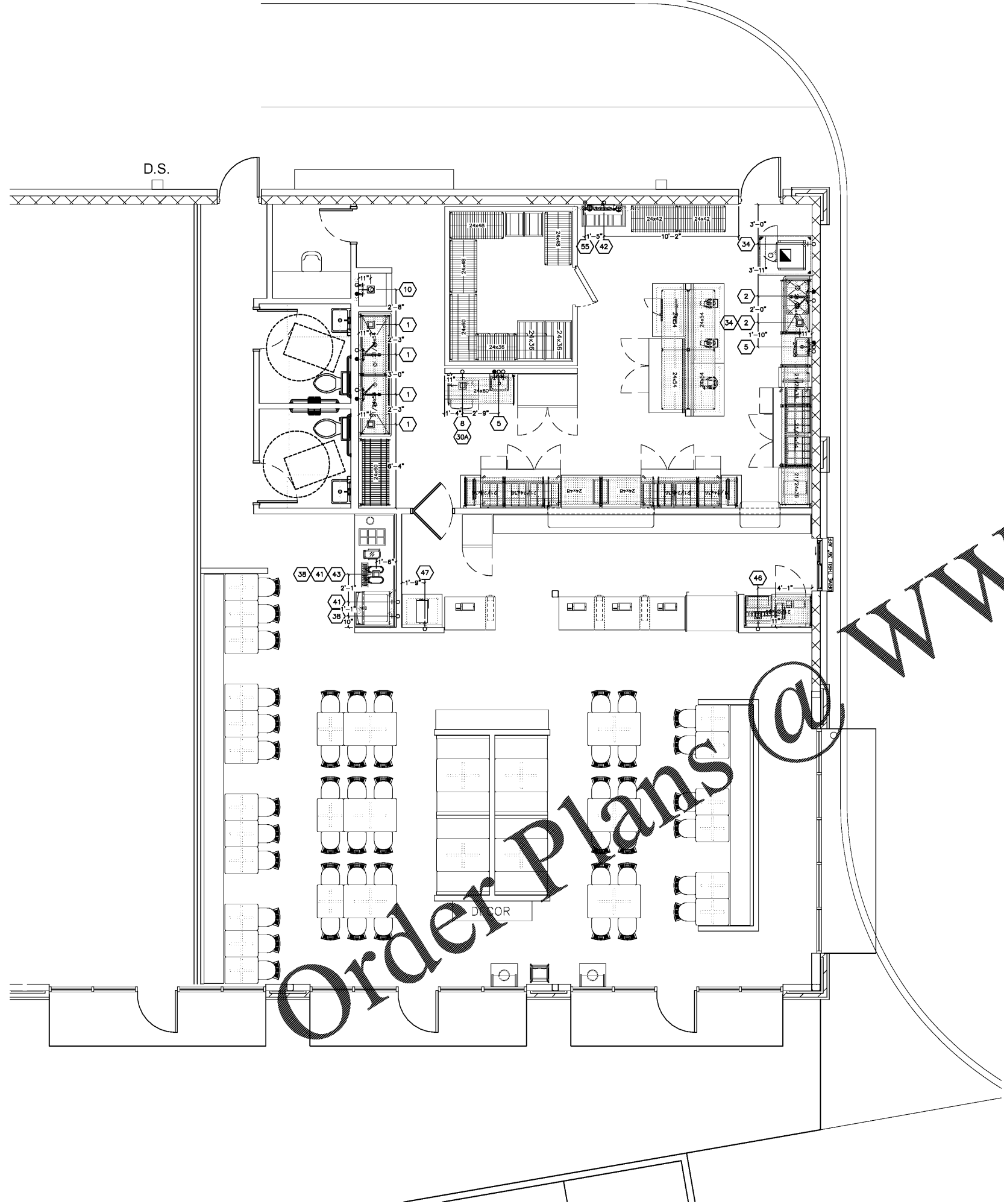


THIS DRAWING IS AN INSTRUMENT OF SERVICE AND AS SUCH SHALL REMAIN THE PROPERTY OF HOTEL & RESTAURANT SUPPLY. UNAUTHORIZED USE OR REPRODUCTION WITHOUT PERMISSION OF HOTEL & RESTAURANT SUPPLY IS PROHIBITED. THIS DRAWING IS ONLY FOR USE IN CONNECTION WITH THIS PROJECT AND SHALL NOT BE USED FOR OTHER LOCATIONS. COPYRIGHT 2019, HOTEL & RESTAURANT SUPPLY.

REVISED	6/28

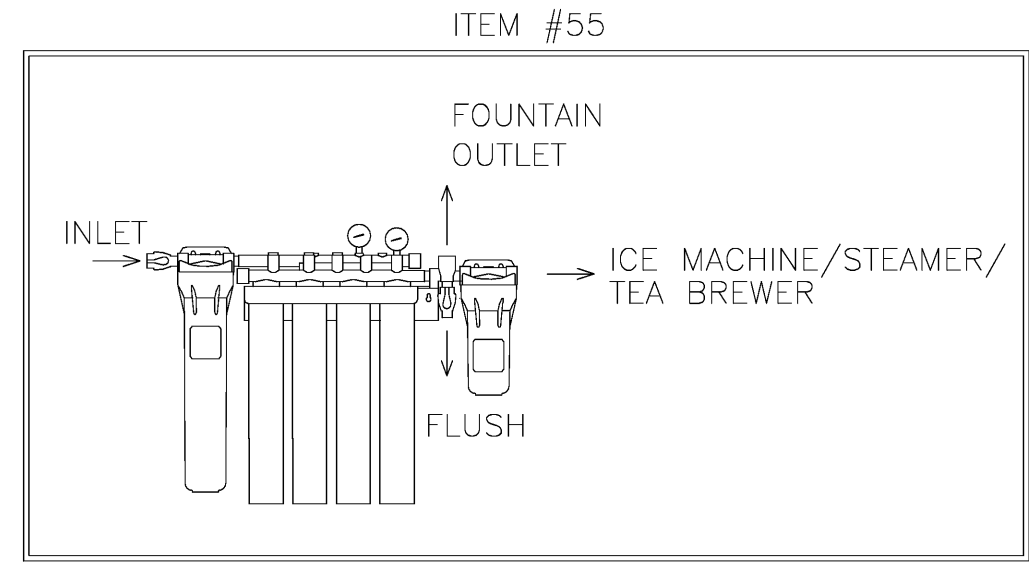


ITEM NO	EQUIPMENT CATEGORY	HOT WATER SIZE (IN)	HOT WATER AFT (IN)	COLD WATER SIZE (IN)	COLD WATER AFT (IN)	COLD WATER SIZE FILTERED (IN)	DIRECT DRAIN SIZE (IN)	DIRECT DRAIN AFT (IN)	INDIRECT DRAIN TYPE	PLUMBING REMARKS
1	4 COMPARTMENT SINK	0.5"	1.8"	0.5"	1.8"	-	-	-	-	2 SINK SPLASHES & FACET
2	2 COMPARTMENT SINK	0.5"	1.8"	0.5"	1.8"	-	-	-	-	3"
5	HAND SINK	0.5"	1.8"	0.5"	1.8"	-	1.5"	1.5"	-	3"
8	ICE MAKER	-	-	3/8"	0.5"	-	-	-	-	3" TO BIN SELF CONTAINING
10	MOP SINK - BY OTHERS	0.5"	3/8"	0.5"	3/8"	-	-	-	-	4" TO SUPPLY SERVICE FAUCET
30A	WALK-IN COOLER (10' X 12')	-	-	-	-	-	-	-	-	3" VERIFY REQUIREMENTS
34	DOUBLE STACK STEAMER	-	-	1.8"	0.75"	-	-	-	-	3" REQUIREMENTS 30-60
38	ICE MACHINE BEVERAGE STATION	-	-	7/8"	0.5"	-	-	-	-	3"
41	BEVERAGE DISPENSER	-	-	-	-	-	-	-	-	3" VERIFY REQUIREMENTS W/ VENDOR
42	BAG-N-BOX	-	-	-	-	-	-	-	-	3" VERIFY REQUIREMENTS W/ VENDOR
43	TEA URN DRAIN	-	-	-	-	-	-	-	-	3" DRAIN TO DROP INTO BEV STATION
46	BEVERAGE TOWER/ICE BIN	-	-	-	-	-	-	-	-	3" VERIFY REQUIREMENTS W/ VENDOR
47	TEA BREWER	-	-	-	-	-	-	-	-	3" VERIFY REQUIREMENTS W/ VENDOR
55	WATER FILTRATION SYSTEM	-	-	1/2"	1"	-	-	-	-	USE CLEAR BOWLS

- #### PLUMBING NOTES
- ALL ROUGH-INS TO BE MADE IN COMPLIANCE WITH ALL LOCAL CODES.
 - THIS DRAWING SHOWS ROUGH-IN LOCATIONS AND PLUMBING REQUIREMENTS FOR ITEMS PROVIDED BY HOTEL & RESTAURANT SUPPLY AND DESIGN. ADDITIONAL ROUGH-INS HAVE BEEN PROVIDED FOR EQUIPMENT BEING FURNISHED BY OTHERS FOR CONVENIENCE PURPOSES ONLY. THESE REQUIREMENTS ARE TO BE VERIFIED BY OWNER/CONTRACTOR.
 - PLUMBING CONTRACTOR IS RESPONSIBLE FOR MOUNTING ALL FAUCETS, PRE-RINSE UNITS, VACUUM BREAKERS, & LEVER WASTE PROVIDED. ALL GAS LINES, ELBOWS, SHUT-OFF VALVES, PRESSURE REDUCERS, WATER SUPPLY LINES, DRAIN LINES, "P" TRAPS, FLOOR SINK, AND OTHER INDIRECT DRAINS REQUIRED TO HOOK UP THE FOOD SERVICE EQUIPMENT SHALL BE PROVIDED AND INSTALLED BY THE PLUMBING CONTRACTOR.
 - ALL DIMENSIONS ARE CRITICAL FINISHED WALL DIMENSIONS. ROUGH-INS ARE LOCATED FROM FINISHED WALL AND FLOOR SURFACES TO CENTER LINE OF ROUGH-INS.
 - IF FOR ANY REASON ROUGH-IN LOCATIONS ARE CHANGED, MUST BE NOTIFIED IN WRITING SO THAT THE CHANGES CAN BE MADE TO THE NECESSARY DOCUMENTS AND DRAWINGS AS REQUIRED.
 - ALL AREA FLOOR DRAIN ARE SUGGESTED LOCATION; VERIFY W/ MECHANICAL DRAWINGS

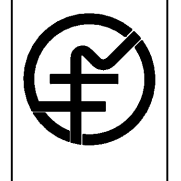
PLUMBING LEGEND

+○	COLD WATER
+●	HOT WATER
○	DRAIN IN WALL
○	GAS
⊠	FLOOR DRAIN
⊞	FLOOR SINK
⊞	FUNNEL FLOOR DRAIN
CW	COLD WATER
HW	HOT WATER
AFF	ABOVE FINISHED FLOOR



FOOD SERVICE KITCHEN EQUIPMENT PLAN
Chicken Salad Chick
Cleveland, Tennessee

Hotel & Restaurant Supply
Suppliers/Designers to the Food Service Industry
501 Martin Luther King Jr. Blvd. Northport, AL 35476
205-409-0097 FAX 205-409-9369
email: nwhite@hrrsupply.com



DRAWN BY:	J. KELLEY
DATE:	6/28/2019
SCALE:	1/4" = 1'-0"
JOB#:	
FILE:	