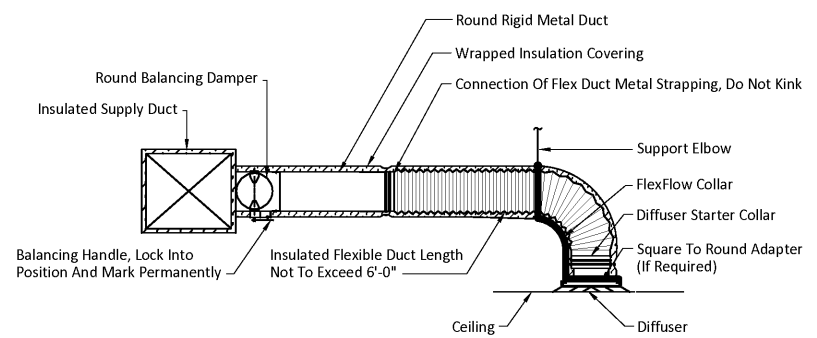


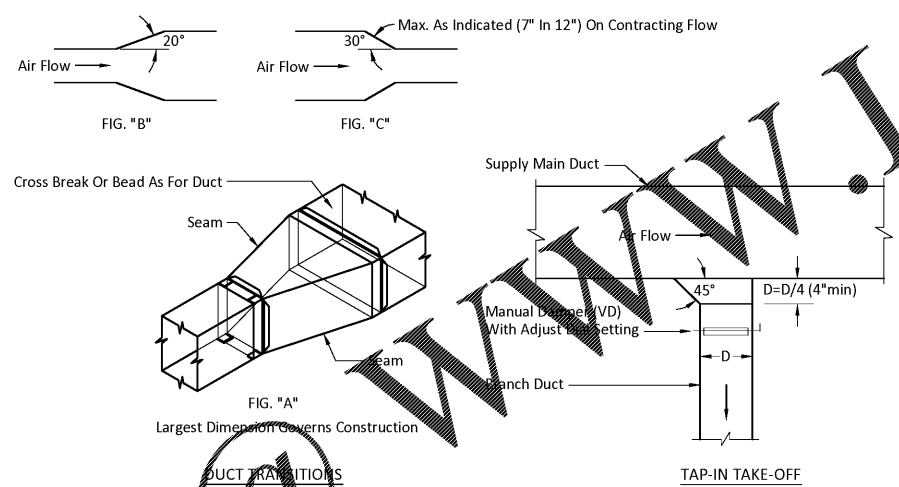
NOTES:
1. Total Building Under Positive Pressure By 50 CFM.

AIRFLOW RISER DIAGRAM Scale: NTS Drawing: M3.1 Detail: 01



NOTES:
1. Provide At Flexible Duct Connection Metal Or "Panduit" Drawband On The Interior Flexible Duct Helix. Secure The Insulation Over The Draw Band With An Additional Drawband.
2. Provide Beading On Round Metal Duct 12" Or Larger In Diameter.
3. Provide Minimum 2" Collars For Attachment Of The Flex Duct To Round Duct, Dampers And Diffusers.
4. Band Rigid Round Duct Insulation To Duct And Provide Tape For Insulation Overlap.

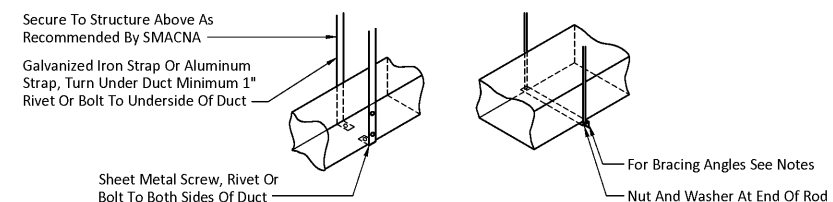
FLEXIBLE DUCT INSTALLATION Scale: NTS Drawing: M3.1 Detail: 02



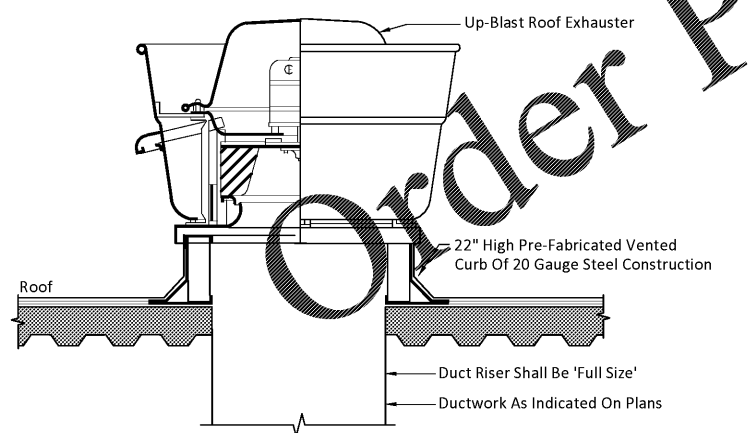
NOTES:
1. Duct Transitions Typical After Each Take-Off(s) Where Change In Duct Size Is Indicated.

DUCT TRANSITION DETAILS Scale: NTS Drawing: M3.1 Detail: 03

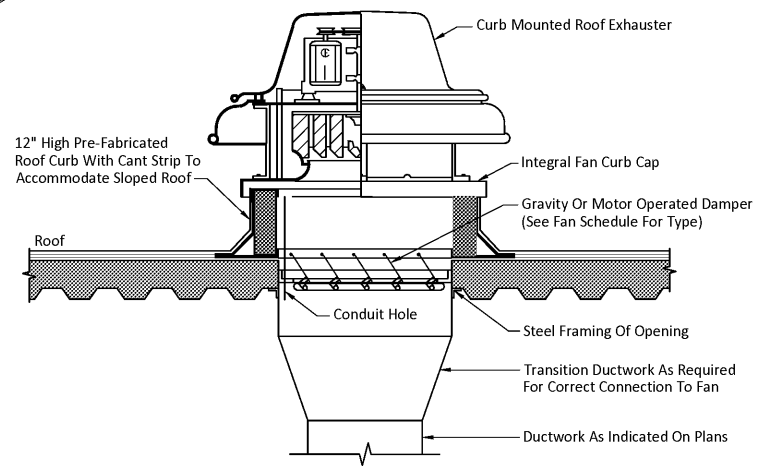
Duct Perimeter Range	Pair At 10' Spacing		Pair At 8' Spacing		Pair At 5' Spacing		Pair At 4' Spacing	
	Strap	Wire/Rod	Strap	Wire/Rod	Strap	Wire/Rod	Strap	Wire/Rod
P/2 < 30"	1" x 22 GA.	10 GA.	1" x 22 GA.	10 GA.	1" x 22 GA.	12 GA.	1" x 22 GA.	12 GA.
P/2 < 72"	1" x 18 GA.	3/8"	1" x 20 GA.	1/4"	1" x 22 GA.	1/4"	1" x 22 GA.	1/4"
P/2 < 96"	1" x 16 GA.	3/8"	1" x 18 GA.	3/8"	1" x 20 GA.	3/8"	1" x 22 GA.	1/4"
P/2 < 120"	1-1/2" x 16 GA.	1/2"	1" x 16 GA.	3/8"	1" x 18 GA.	3/8"	1" x 20 GA.	1/4"
P/2 < 168"	1-1/2" x 16 GA.	1/2"	1" x 16 GA.	1/2"	1" x 16 GA.	3/8"	1" x 18 GA.	3/8"
P/2 < 192"	-	1/2"	1-1/2" x 16 GA.	1/2"	1" x 16 GA.	3/8"	1" x 16 GA.	3/8"



DUCT STRAP HANGER DETAILS Scale: NTS Drawing: M3.1 Detail: 04

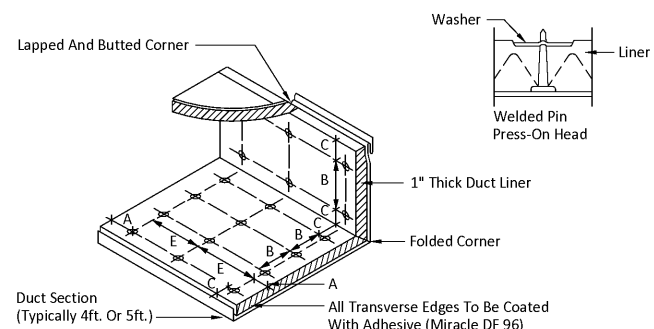


CONDENSATE HOOD UP-BLAST EXHAUST FAN Scale: NTS Drawing: M3.1 Detail: 05



NOTES:
1. Mechanical Contractor Shall Retain The Services Of A Seismic Consultant To Provide Additional Mounting And Restraint Details. See Specifications Section Titled "Vibration Isolation And Seismic Restraints For HVAC" For Additional Requirements.

ROOF MOUNTED EXHAUST FAN Scale: NTS Drawing: M3.1 Detail: 06



Velocity	Dimensions			
	A	B	C	E
0-2500 FPM	3"	12"	4"	18"
2501-6000 FPM	3"	6"	4"	16"

NOTES:
1. Maximum Spacing For Fasteners. Actual Intervals Are Approximate.
2. The Velocity Rated Side Of Liner Must Face The Air Flow.
3. Liner Adhered To The Duct With 90% Minimum Area Coverage Of Adhesive.

DUCT LINER INSTALLATION DETAIL Scale: NTS Drawing: M3.1 Detail: 07



jb A
jared bussey
architect
1604 28th Ave South
Birmingham, AL 35209
205.533.3563



db associates
CONSULTING ENGINEERS, P.C.
3290 Cumberland Club Drive, Suite 300
Atlanta, GA 30338
Questions For db Call: Andrew Bier
DIB Project ID: 26198 Phone: (732) 927-5023

Chicken Salad Chick
Cleveland, Tennessee
Bradley Square Mall Building H
200 Paul Huff Parkway NW
Cleveland, Tennessee 37312

Client:
J. Hudson Sandefur
Project Location:
200 Paul Huff Pkwy NW
Cleveland, Tennessee
37312

DATE: July 30, 2019
DRAWING TITLE: Details
PROJECT NUMBER: 03-18
FILE NUMBER:
SHEET of
DRAWING NUMBER
M3.1