



JOB NO.

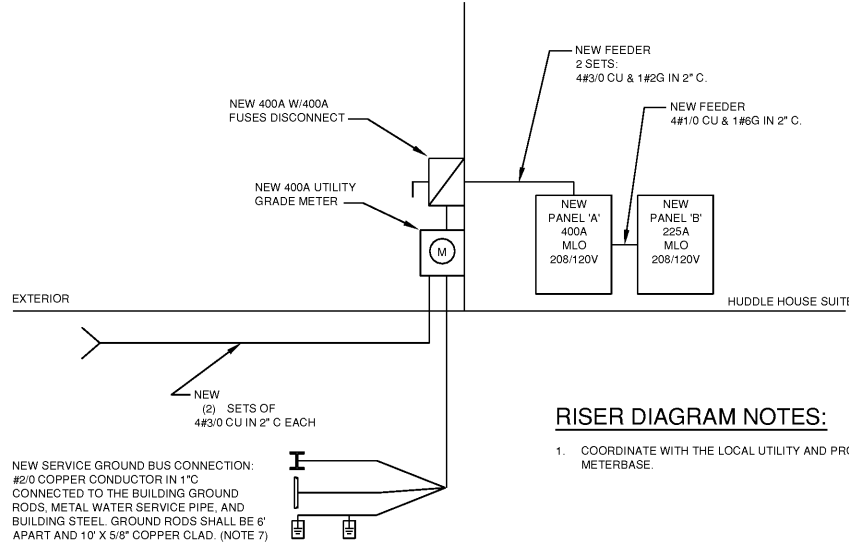
NORWOOD ARCHITECTS  
807 Forester Blvd. N.W.  
Atlanta, Georgia 30318  
ph. 678-921-0302 fax. 678-921-0301  
www.norwoodarchitects.com

HUDDLE HOUSE  
EVO 2000 RESTAURANT  
US HIGHWAY 43 RUSSELVILLE, AL  
FRANKLIN CO. 35653

NO.	ISSUE DATE

DRAWING NUMBER

E400



RISER DIAGRAM NOTES:

- 1. COORDINATE WITH THE LOCAL UTILITY AND PROVIDE AN APPROVED 400A NEMA 3R METERBASE.

RISER DIAGRAM NO SCALE

PANEL NAME	LOCATION	VOLTAGE	208 V/120V 3 PHASE	400A MLO	MOUNTING/ENCLOSURE	SURFACE	NEMA 1											
A	BACK OF HOUSE						NEW											
AMPS	POLES	TYPE	CIRCUIT DESCRIPTION	KVA	CKT	A	B	C	CKT	KVA	CIRCUIT DESCRIPTION	TYPE	POLES	AMPS				
20	1	L	SHOW WINDOW	1.80	1				2	1.80	POS W/CSM DRAWER(AA.0)	R	1	20				
20	1	L	SHOW WINDOW	1.80	2				4	1.80	POS(AE.1)	R	1	20				
20	1	R	RECP RECEPTACLES	1.80	2				6	1.80	POS(AE.1)	R	1	20				
20	1	R	WIFI CONTROLS	1.50	7	1.81			8	0.61	ACE-1	M	1	20				
20	1	R	RECEPTACLE OFFICE	1.80	9			5.83	10	4.03	AC	AC	3	50*				
20	1	R	WIFI SYSTEM	1.00	11				12	4.03	RTU-1	AC	3	50*				
50*	3	AC	RTU-2	4.07	13	8.10			14	4.03	RECEPTACLE BODYS	AC	1	20				
50*	3	AC	RTU-2	4.07	15			2.87	16	1.80	RECEPTACLE BODYS	R	1	20				
20	3	M	F-1	0.38	19	0.46			20	0.10	F-4-F-5	M	1	20				
20	3	M	F-1	0.38	21			2.16	22	1.80	RECEPTACLE GENERAL	R	1	20				
20	3	M	F-2	0.38	23			1.36	24	1.00	SKN	L	1	20				
20	3	M	F-2	0.38	25	1.38			26	1.00	KITCHEN LIGHTING	L	1	20				
20	3	M	F-2	0.38	27			1.36	28	1.00	DINING LIGHTING	L	1	20				
20	1	M	F-3	0.38	29			1.36	30	1.00	DINING PENDANTS	L	1	20				
20	1	R	OFFICE RECEPTACLES	0.90	31	1.69			32	1.00	SKN	L	1	20				
20	1	R	OFFICE RECEPTACLES	0.90	33			1.50	34	0.60	CONTACTOR/PHOTOCELL	R	1	20				
20	1	R	OFFICE RECEPTACLES	0.90	35			1.08	36	0.18	RECEPTACLE PANELS	R	1	20				
200	3	T	PANEL B	23.80	37	34.16			38	0.36	TELEPHONE BACKBOARD	R	1	20**				
200	3	T	PANEL B	21.30	39			21.60	40	0.36	TELEPHONE BACKBOARD	R	1	20**				
200	3	T	PANEL B	22.20	41			23.40	42	1.20	RECEPTACLE REST ROOM	R	1	20				
PHASE TOTAL											41.2	42.0	41.7	KVA				
TOTAL CONNECTED LOAD													125 KVA	1247 A				
TOTAL DEMAND LOAD													122 KVA	1238 A				

TYPE	LOAD	DEMAND
L	11.8	10.8
R	21.1	15.6
M	3.6	4.2
H	0.0	24.3
AC	24.3	0.0
K	0.0	65%
MISCELLANEOUS	0.0	0.0
T	67.3	67.3

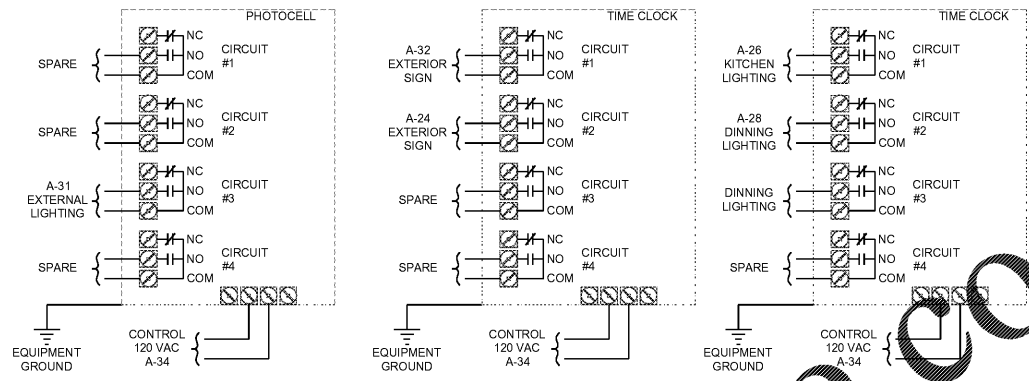
FILL IN KVA OF LARGEST MOTOR AND DIVERSITY FACTOR FOR KITCHEN

CIRCUIT DESCRIPTION	PANEL A	PANEL B	CONNECTED	DEMAND
LIGHTING	1.8	0.0	10.60	13.90
RECEPTACLE	5.0	0.0	26.10	18.05
MOTOR	3.6	0.0	3.60	8.64
HEATING	0.0	0.0	0.00	0.00
COOKING	21.3	0.0	24.30	24.30
KITCHEN	0.0	0.0	60.30	39.33
NEW TOTAL DIVERSIFIED KVA				103
NEW TOTAL DIVERSIFIED AMPS				787

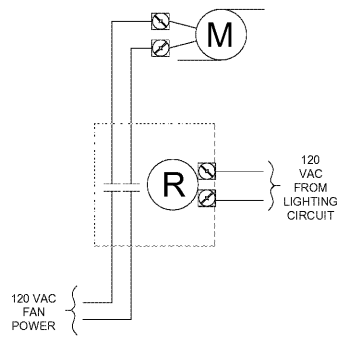
PANEL NAME	LOCATION	VOLTAGE	208 V/120V 3 PHASE	225A MLO	MOUNTING/ENCLOSURE	SURFACE	NEMA 1										
B	BACK OF HOUSE						NEW										
20	1	K	BEVERAGE DISPENSER(A1.0)	0.12	1	2.52			2	2.40	WAFFLE BAKER(C6.0)	K	1	25			
20	1	K	BEVERAGE DISPENSER(A2.0)	0.84	3		3.24		4	2.40	WAFFLE BAKER(C6.0)	K	1	25			
20	1	K	TOAST BREADER(A3.0)	1.50	5		3.78		6	2.28	TOASTER OVEN(C10.0)	K	1	25			
20	1	K	WARMER FOOD ELECTRIC(A4.0)	1.20	7	3.48			8	2.28	TOASTER OVEN(C10.0)	K	1	25			
20	1	K	WARMER FOOD ELECTRIC(A4.0)	1.20	9		3.60		10	1.80	INDUCTION WARMER(CCT.0)	K	1	25			
20	1	K	WARMER FOOD ELECTRIC(A4.0)	1.20	11		5.60		12	1.80	INDUCTION WARMER(CCT.0)	K	1	25			
20	1	K	TEA BREWER(A5.0)	1.80	13	4.08			14	2.28	DISHWASER(P6.0)	K	1	25			
20**	1	R	CORDLESS PHONE(A7.0)	0.40	15		1.60		16	1.20	REACH IN FREEZER(F8.0)	K	1	20			
20**	1	R	CORDLESS PHONE(A7.1)	0.40	17		1.24		18	0.84	SANDWICH UNIT(H.0)	K	1	20			
20**	1	R	DRY TIMER(A11.0)	0.50	19	0.50			20		SHUNT TRIP	K	1	20			
20	1	R	SHUNT TRIP		21		0.96		22	0.96	SALAD TOP(R3.0)	K	1	20			
20	1	R	SHUNT TRIP	0.30	23		1.50		24	1.00	WOOD SUFFUSION SYSTEM	K	1	20			
20	1	R	SHUNT TRIP	0.25	25	0.50			26	0.50	WORK TOP FRIDGE(R4.0)	K	1	20			
20	1	K	COMBLETTE MIXER(C4.0)	1.00	27		1.50		28	0.50	WORK TOP FRIDGE(R4.1)	K	1	20			
20	1	R	SHUNT TRIP		29		0.50		30	0.50	WORK TOP FRIDGE(R4.1)	K	1	20			
20	1	R	TV	1.20	31	3.60			32	1.80	WALK-IN COOL. LTN(R7.1)	K	1	20			
20	1	R	TV	1.20	33		1.92		34	0.90	SANITIZER UNIT(R6.0)	K	1	20			
20	1	R	SPARE		35		3.80		36	1.80	WALK-IN COOL. LTN(R7.2)	K	1	20			
20	2	K	MICROWAVE(C5.0)	1.50	37	4.50			38	1.80	WALK-IN COOL. LTN(R7.3)	K	2	35			
20	2	K	MICROWAVE(C5.0)	1.50	39	4.50			40	2.80	WALK-IN FREEZER COND.(R8.3)	K	2	35			
20	2	K	MICROWAVE(C5.0)	1.50	41	2.50			42	0.90	WALK-IN FREEZER COND.(R8.3)	K	1	20			
20	2	K	MICROWAVE(C5.0)	1.50	43	2.50			44	0.90	WALK-IN COOL. LTN(R7.1)	K	1	20			
20	2	K	MICROWAVE(C5.0)	1.50	45	2.50		1.80	46	0.90	WALK-IN COOL. LTN(R7.2)	K	1	20			
20	1	R	SHUNT TRIP	1.50	47		1.80		48	0.30	WALK-IN COOL. LTN(R7.3)	K	1	20			
20	1	R	SHUNT TRIP		49		0.30		50	0.30	WALK-IN FREEZER EVA(R8.1)	R	1	20			
20	1	K	OVEN(C-7.0)	1.80	51	1.80			52	0.30	WALK-IN FREEZER EVA(R8.2)	K	1	20			
20	1	K	HOLDING UNITS(C9.0)	1.50	53		1.80		54	1.80	BAG IN BOX(A19.0)	K	1	20			
20	1	R	FRYER(A2.0)	1.00	55	0.00			56	1.00	CAN. SINK	K	1	20			
20	1	R	SHUNT TRIP		57		2.00		58	1.20	FRYER BATTERY(E1.0)	K	1	20			
20	1	R	SHUNT TRIP		59				60		SHUNT TRIP	K	1	20			
PHASE TOTAL											21.5	22.2	KVA				
TOTAL CONNECTED LOAD													67 KVA	187 A			
TOTAL DEMAND LOAD													47 KVA	129 A			

TYPE	LOAD	DEMAND
L	1.8	2.3
R	5.0	5.0
M	0.0	2.4
H	0.0	0.0
AC	0.0	0.0
K	60.3	39.3
MISCELLANEOUS	0.0	0.0
T	67.3	67.3

FILL IN KVA OF LARGEST MOTOR AND DIVERSITY FACTOR FOR KITCHEN



TIME CLOCK DETAIL NO SCALE



EXAMPLE OF MOTOR SWITCH NO SCALE

Order Plans @ www.LDILine.com