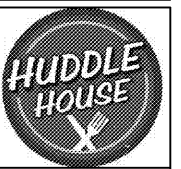


1 DOMESTIC WATER AND GAS PLAN  
 P200 SCALE: 1/4" = 1'-0"



WWW.LDILINE.COM



JOB NO. L1908

**NORWOOD ARCHITECTS**  
 807 Forester's Hill, NW  
 Atlanta, Georgia 30318  
 Ph. 678-921-0302 fax. 678-921-0301  
 www.norwoodarchitects.com

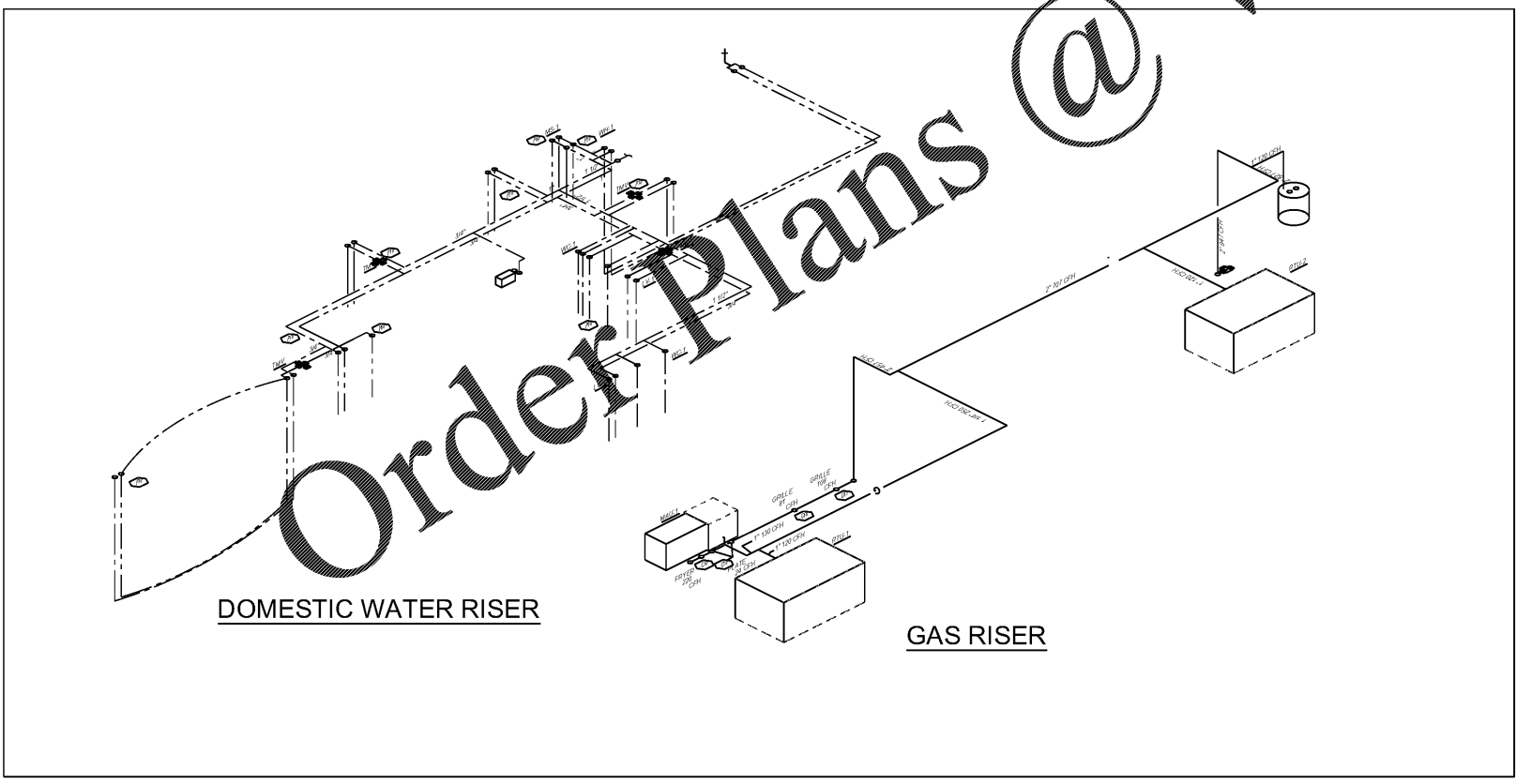
**HUDDLE HOUSE**  
 EVO 2000 RESTAURANT  
 US HWY 43 RUSSELLVILLE, AL  
 FRANKLIN CO. 35653

NO.	ISSUE DATE
	PERMIT SET J / 2019

DRAWING NUMBER

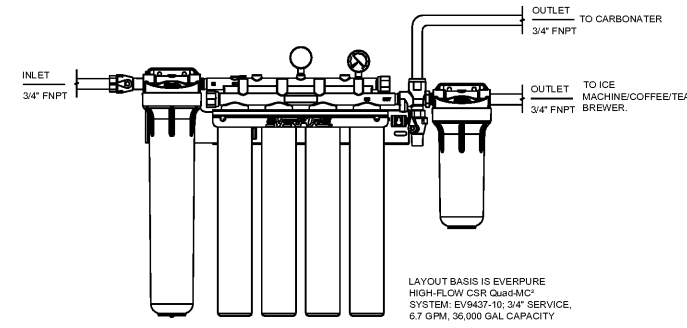
**P200**

**PLUMBING DOMESTIC WATER & GAS PLAN**



- PLUMBING GENERAL NOTES:**
- (A) ORDINANCES, WORKSMANSHIP, METHOD & MATERIALS SHALL COMPLY WITH ALL LOCAL PLUMBING CODES.
  - (B) PLUMBER SHALL OBTAIN AND PAY FOR ALL PERMITS, INSPECTIONS AND FEES FOR HIS WORK.
  - (C) COORDINATE PLUMBING WORK WITH THAT OF OTHER TRADES TO INSURE PROPER AND COMPLETE HOOK-UP.
  - (D) VALVES: NIBCO S-580 BALL VALVES.
  - (E) WATER HAMMER ARRESTOR: J. R. SMITH, SIZE A, FIG NO 5005.
  - (F) PRESSURE REDUCING VALVE: WATTS #2235 1" - INSTALL WHERE PRESSURE EXCEEDS 75 PSI & IN HORIZONTAL POSITION ONLY.

- PLUMBING NOTES:**
1. PROVIDE 1/2" COPPER TUBING FOR INSTALLATION OF JUICE MACHINE, COFFEE MAKER AND TEA BREWER EQUIPMENT WHERE INDICATED.
  2. CONNECT TO EXISTING 1 1/2" CW LINE. VERIFY ALL REQUIREMENTS INCLUDING RPZ AND METER WITH LL, UTILITY PROVIDER AND LOCAL JURISDICTION. PROVIDE AND INSTALL AS REQUIRED.
  2. 1/2" GAS TO EACH 2-EYE BURNER. INSTALL REGULATOR SUPPLIED WITH UNIT & FLEX LINE TO EQUIPMENT WHERE ALLOWED BY LOCAL CODES.
  3. GAS LINE TO EQUIPMENT IN UP-DRAFT TO HAVE AUTOMATIC SHUT-OFF VALVE TIED INTO FIRE SYSTEM. VALVE SUPPLIED BY AUTO FIRE PROTECTION SYSTEM SUPPLIER - INSTALLED BY PLUMBING CONTRACTOR.
  4. 1" GAS TO HEATING UNITS ON ROOF.
  5. 1/2" GAS TO GRILLE. INSTALL REGULATOR SUPPLIED WITH UNIT & FLEX LINE TO EQUIPMENT WHERE ALLOWED BY LOCAL CODES.
  6. 1" GAS TO FRYER. INSTALL REGULATOR SUPPLIED WITH UNIT & FLEX LINE TO EQUIPMENT WHERE ALLOWED BY LOCAL CODES.
  7. 1/2" STUB-UP WITH ONE (1) 1" T AND TWO (2) 1" T'S WITH SHUT-OFFS AT EACH. TYPICAL OF 2 DRINK STAND LOCATIONS.
  8. 1/2" NIBCO FROST-PROOF SILL COCK 18" ABOVE FINISHED GRADE. PROVIDE AND INSTALL NIDEL VACUUM BREAKER.
  9. RUN WATER LINE UNDER FLOOR FROM BACKBAR WALL TO FIXTURE LOCATION.
  10. TRAP PRIMER ABOVE CEILING. DROP SUPPLY DOWN IN CHASE AND ROUTE TO FLOOR DRAINS AS SHOWN.
  11. PROVIDE MASTER EVERPURE FILTER SYSTEM EV94-37 QUAD MC2 FOR DRINK DISPENSER, ICE MAKER, COFFEE AND TEA BREWER AND JUICE MACHINE WITH PRESSURE BOOSTER WHERE MUNICIPAL PRESSURE IS BELOW 40 PSI. COORDINATE WITH SOFT DRINK VENDOR FOR SPECIFIC REQUIREMENTS.
  12. NEW 2" GAS LINE AND METER. COORDINATE ALL GAS SCOPE WITH LANDLORD CONTRACTOR PRIOR TO BID AND INCLUDE SCOPE NOT PROVIDED BY LANDLORD. SERVICE ACTIVATION BY CONTRACTOR. TOTAL LOAD 947 CFH AT 7"WC. DEVELOPED LENGTH NOT TO EXCEED 125'.
  13. 3/4" CW AND HW DOWN IN WALL BELOW GRADE. ROUTE TO DUMPSTER PAD HYDRANT.
  14. 3/4" CW AND HW UP FROM BELOW GRADE. ROUTE TO DUMPSTER PAD HYDRANT.
  15. PROVIDE CODE APPROVED BACKFLOW PREVENTER.



MASTER WATER FILTRATION UNIT DETAIL