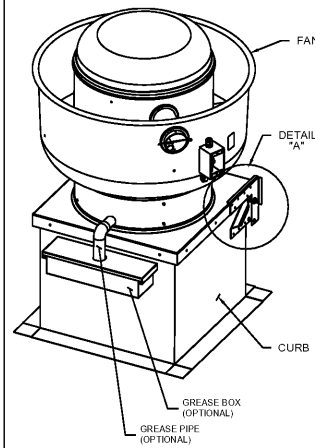
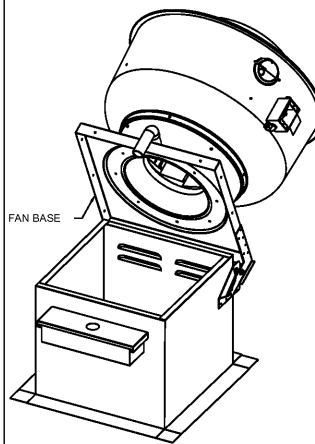


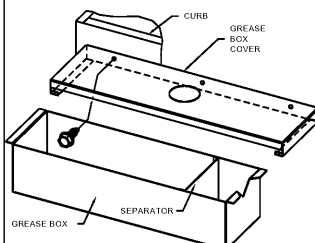
HINGE KIT DETAIL



FAN IN CLOSED POSITION



FAN IN OPEN POSITION



GREASE BOX INSTALLATION

- A PRE-WIRED ELECTRICAL CONTROL PACKAGE SHALL BE PROVIDED TO OPERATE THE HOOD LIGHTS AND FANS.
- PACKAGE SHALL CONSIST OF SWITCH PANEL WITH LIGHT SWITCHES AND RED-LIGHTED FAN SWITCHES, STARTER/OVERLOAD ASSEMBLY FOR EACH FAN(OPTIONAL), WIREDED INPUT/OUTPUT TERMINAL STRIPS AND A TERMINAL FOR DOUBLE-DUAL FIRE SYSTEM MICROSWITCH CONNECTION. ONE RELAY IS WIRDED TO MICROSWITCH (ON FIRE SYSTEM) FOR SUPPLY FAN SHUTDOWN AND OTHER RELAY FOR ADDITIONAL FIRE SYSTEM ACTIVATED DRY CONTACTS.
- ELECTRICAL CONDUIT DROPS FROM THE FANS SHALL BE CONNECTED TO THE WIREDED TERMINAL STRIP. CONDUIT BETWEEN THE PRE-WIRED PACKAGE AND FANS SHALL BE SUPPLIED BY THE ELECTRICAL CONTRACTOR.

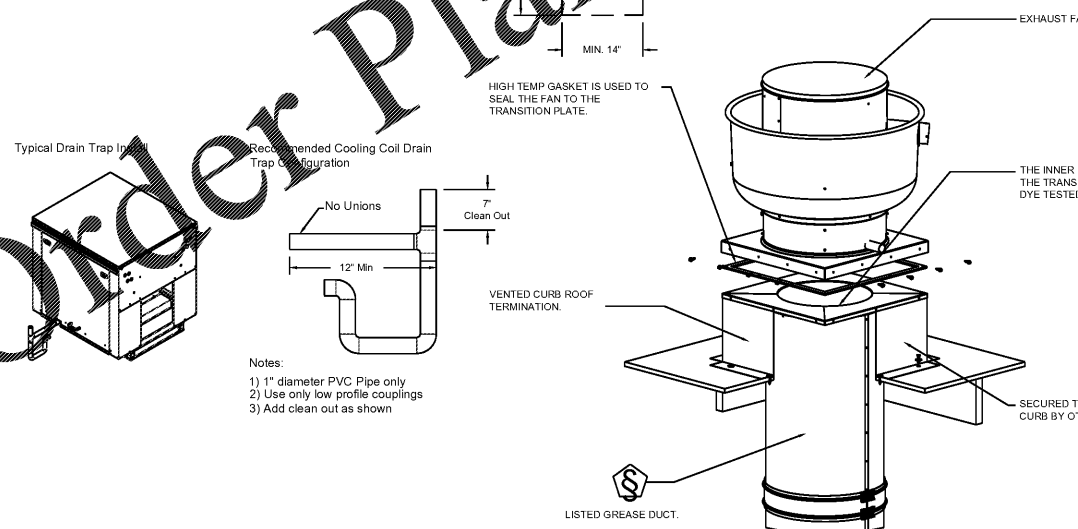
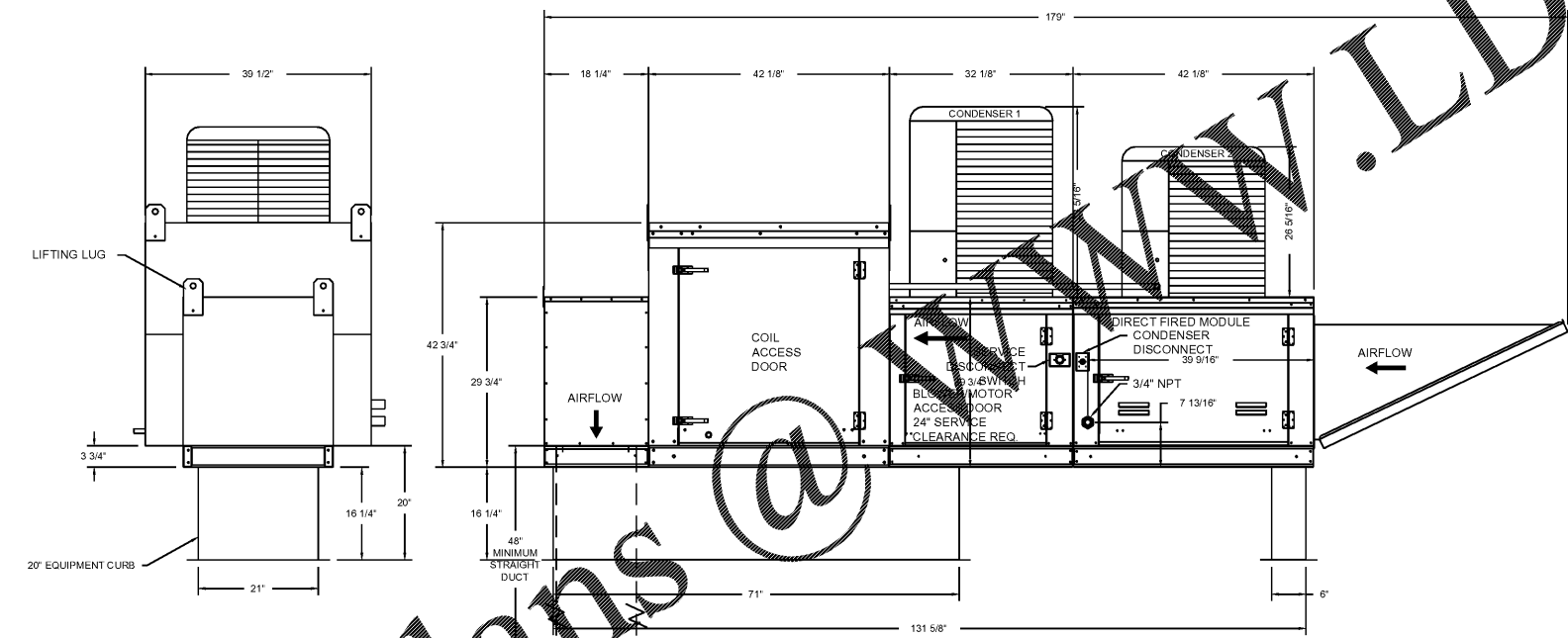
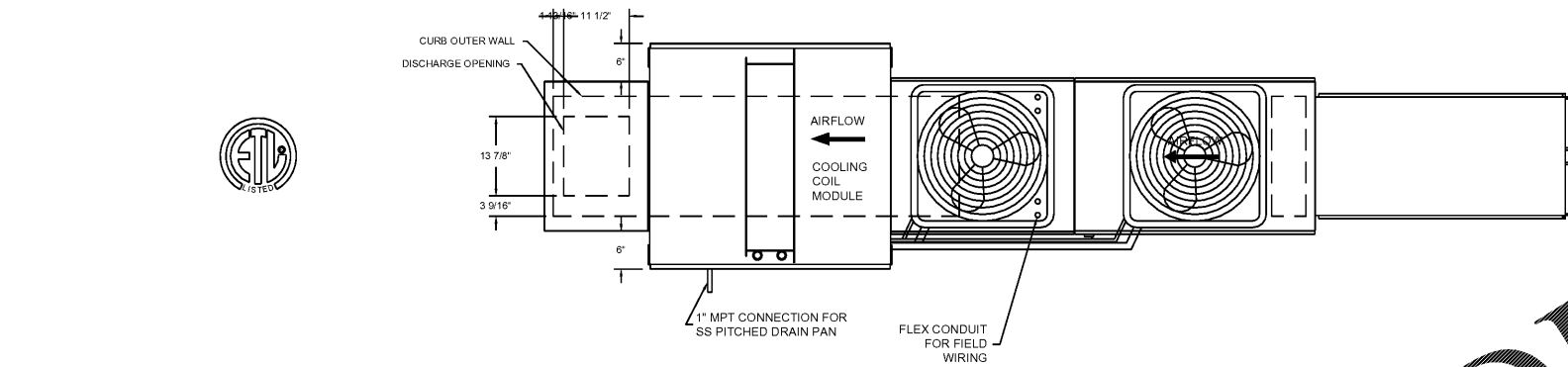
ELECTRICAL PACKAGE NOTES

- FAN #4 A1-D-250-G10-MPU - HEATER (SF-1)
- DIRECT GAS FIRED HEATED MAKE UP AIR UNIT WITH 10" BLOWER
 - INTAKE HOOD WITH EZ FILTERS
 - DOWN DISCHARGE - AIR FLOW RIGHT -> LEFT
 - COOLING INTERLOCK RELAY - 24VAC COIL - 120V CONTACTS. LOCKS OUT BURNER CIRCUIT WHEN AC IS ENERGIZED
 - MOTORIZED BACK DRAFT DAMPER 16" X 18" FOR SIZE 1 STANDARD & MODULAR HEATER UNITS W/EXTENDED SHAFT, STANDARD GALVANIZED CONSTRUCTION, 3/4" REAR FLANGE, LOW LEAKAGE, TPB120S ACTUATOR INCLUDED
 - LOW FIRE START - ALLOWS THE BURNER CIRCUIT TO ENERGIZE WHEN THE MODULATION CONTROL IS IN A LOW FIRE POSITION.
 - GAS PRESSURE GAUGE, 0-35" 2.5" DIAMETER, 1/4" THREAD SIZE
 - GAS PRESSURE GAUGE, 0-10 +15 INCHES WC, 2.5" DIAMETER, 1/4" THREAD SIZE
 - DX COOLING INTAKE AIR THERMOSTAT AND RELAYS MOUNTED IN UNIT - SET POINT FOR THERMOSTAT SHOULD BE 85°F
 - 5 TON DUAL CIRCUIT (2S) MODULAR PACKAGED COOLING OPTION FOR SIZE 1 MODULAR PACKAGED UNIT. INCLUDES CONDENSER, DX COIL, FILTER/DRYER KIT, HARD START KIT, THERMAL EXPANSION VALVE, R410A REFRIGERANT, AND REFRIGERANT PIPING. (1,800 TO 3,000 CFM) NOT BUILT WITH OPPOSITE SIDE CONTROLS OR OPPOSITE AIRFLOW DIRECTION. CONDENSERS REQUIRE SEPARATE 208V, 1 PHASE POWER SUPPLY UNLESS ORDERED WITH SINGLE POINT CONNECTION. COIL = 2E2902M
 - DOWNTURN PLENUM FOR SIZE 1 COOLING COIL MODULE - REQUIRED FOR DOWN DISCHARGE COOLING COIL APPLICATIONS

NOTE: SUPPLY DUCT MUST BE INSTALLED TO MEET SMACNA STANDARDS. A MINIMUM STRAIGHT DUCT LENGTH MUST BE MAINTAINED DOWNSTREAM OF UNIT DISCHARGE UNLESS OTHERWISE SPECIFIED. DO NOT RELY ON UNIT TO SUPPORT DUCT IN ANY WAY. FAILURE TO PROPERLY SIZE DUCTWORK MAY CAUSE SYSTEM EFFECTS AND REDUCE PERFORMANCE OF THE EQUIPMENT. SUGGESTED STRAIGHT DUCT SIZE IS 14" X 14" X 48" LONG.

SUPPLY SIDE HEATER INFORMATION:

WINTER TEMPERATURE = 28°F. TEMP. RISE = 47°F.
 BTUs CALCULATED OFF ACTUAL AIR DENSITY
 OUTPUT BTUs AT ALTITUDE OF 0.0 ft. = 106952
 INPUT BTUs AT ALTITUDE OF 0.0 ft. = 116262
 OUTPUT BTUs AT ALTITUDE OF 241 ft. = 106923
 INPUT BTUs AT ALTITUDE OF 241 ft. = 115243



SPECIFICATIONS

THE RESTAURANT FIRE SUPPRESSION SYSTEM SHALL BE THE PRE-ENGINEERED TYPE WITH A FIXED NOZZLE AGENT DISTRIBUTION NETWORK. IT SHALL BE LISTED WITH UNDERWRITERS LABORATORIES, INC. (UL)

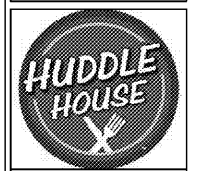
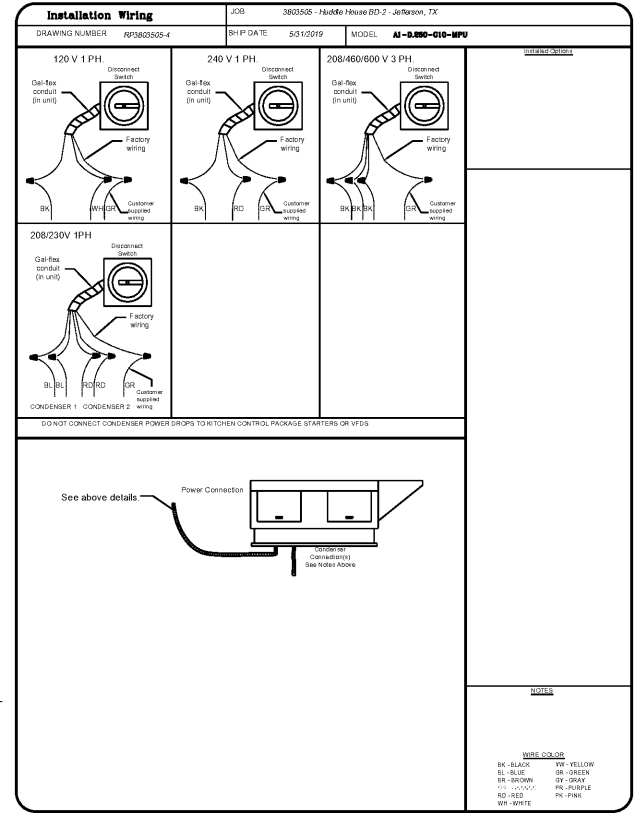
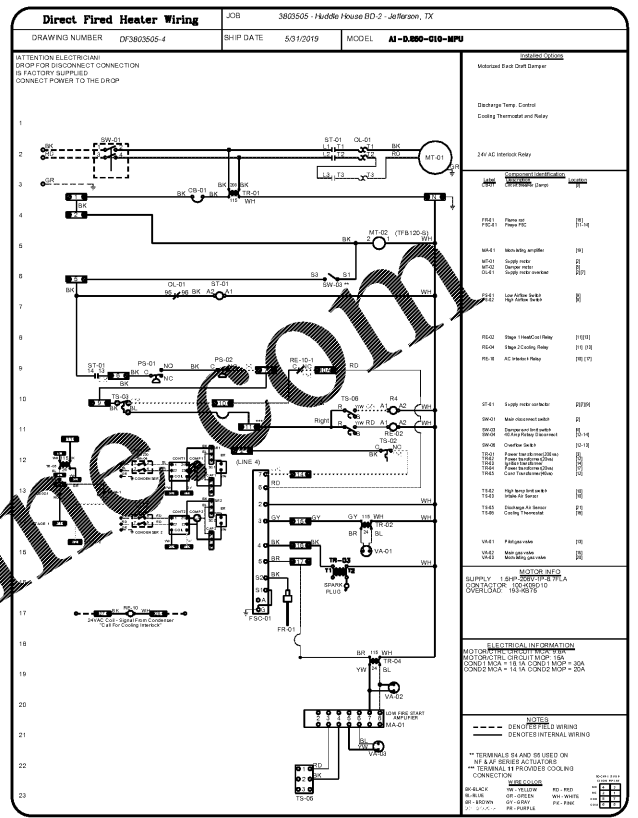
THE SYSTEM SHALL BE CAPABLE OF AUTOMATIC DETECTION AND ACTUATION WITH LOCAL OR REMOTE MANUAL ACTUATION. ACCESSORIES SHALL BE AVAILABLE FOR MECHANICAL OR ELECTRICAL GAS LINE SHUT-OFF APPLICATIONS.

THE EXTINGUISHING AGENT SHALL BE A POTASSIUM CARBONATE, POTASSIUM ACETATE-BASED FORMULATION DESIGNED FOR FLAME KNOCKDOWN AND SECUREMENT OF GREASE RELATED FIRES. IT SHALL BE AVAILABLE IN PLASTIC CONTAINERS WITH INSTRUCTIONS FOR LIQUID AGENT HANDLING AND USAGE.

THE REGULATED RELEASE MECHANISM SHALL BE COMPATIBLE WITH A FUSIBLE LINK DETECTION SYSTEM. THE FUSIBLE LINK SHALL BE SELECTED AND INSTALLED ACCORDING TO THE OPERATING TEMPERATURE IN THE VENTILATING SYSTEM. THE FUSIBLE LINK SHALL BE SUPPORTED BY A DETECTOR BRACKET/ LINKAGE ASSEMBLY.

Fire System Information - Job#3803505

FIRE SYSTEM NO.	Tag	TYPE	SIZE	FLOW POINTS	INSTALLATION	
					SYSTEM	LOCATION ON HOOD
1		Ansul R102	3.0/3.0	6	Wall Mount Right	N/A



JOB NO. LI908

NORWOOD ARCHITECTS
 807 I. Corres. S. N.W.
 Atlanta, Georgia 30318
 ph. 678-921-0302 fax. 678-921-0301
 www.norwoodarchitects.com

HUDDLE HOUSE
 EVO 2000 RESTAURANT
 US HWY 43 RUSSELLVILLE, AL
 FRANKLIN CO. 35653

NO.	ISSUE DATE
	PERMIT SET / 2019

DRAWING NUMBER

MH102

HOOD ELECTRICAL PACKAGES & CONTROL PANEL