

JOB NO. LI908

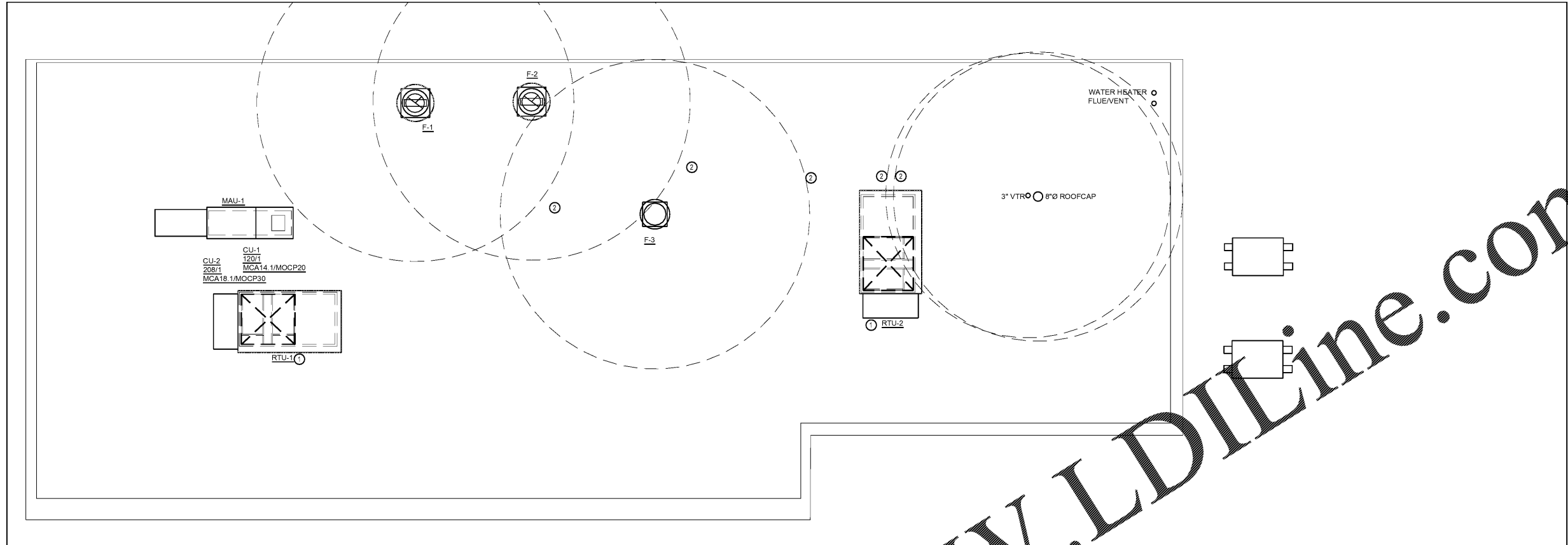
NORWOOD ARCHITECTS  
807 Forrester St., N.W.  
Atlanta, Georgia 30318  
ph. 678-921-0302 fax. 678-921-0301  
www.norwoodarchitects.com

HUDDLE HOUSE  
EVO 2000 RESTAURANT  
US HWY 43 RUSSELLVILLE, AL  
FRANKLIN CO. 35653

NO.	ISSUE DATE
	PERMIT SET 7/2019

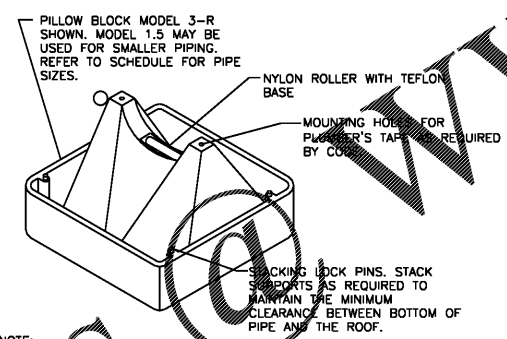
DRAWING NUMBER

M200

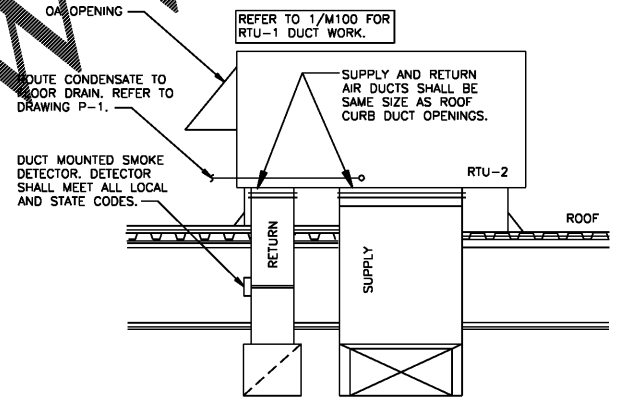


1 ROOF PLAN - HVAC  
SCALE: 1/4" = 1'-0"

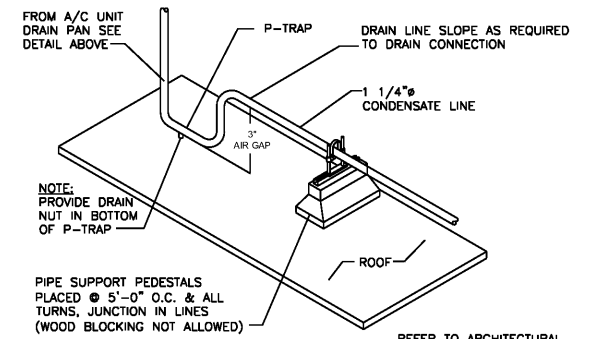
- MECHANICAL NOTES:**
- ROOF TOP UNIT, MOUNTED ON A FULL PERIMETER INSULATED ROOF CURB. PROVIDE 1-1/4" GAS TO UNIT ON ROOF. SEE PLUMBING DRAWINGS FOR PIPING AND LOCATION.
  - MAINTAIN 10' FOOT CLEARANCE FROM ALL ROOFTOP UNIT OUTDOOR AIR INTAKES.
  - PROVIDE CONDENSATE DRAIN EXPOSED ON ROOF. PROVIDE SUPPORT. SEE DETAIL THIS SHEET. SPILL TO REAR GUTTER (IF APPROVED BY AUTHORITY HAVING JURISDICTION).



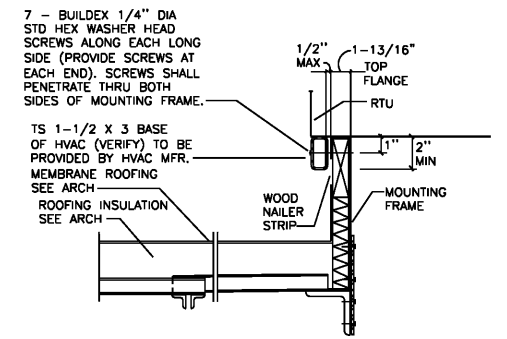
2 PIPE SUPPORT ON ROOF DETAIL  
M200 N.T.S.



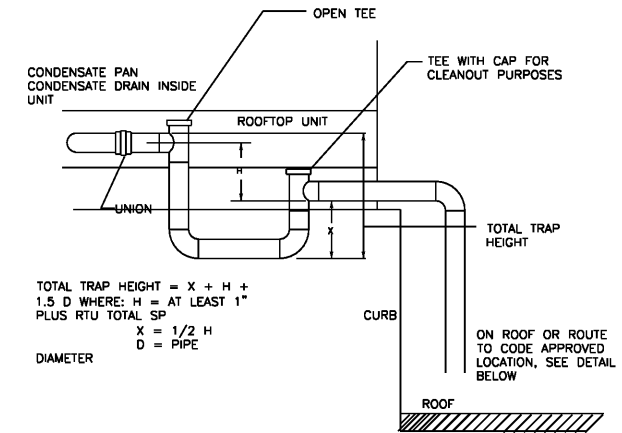
3 ROOFTOP UNIT INSTALLATION DETAIL  
M200 N.T.S.



7 CONDENSATE DRAIN SUPPORT  
M200 N.T.S.



6 RTU ATTACHMENT DETAIL  
M200 N.T.S.



5 CONDENSATE DRAIN DETAIL  
M200 N.T.S.

Order Plans

MECHANICAL ROOF PLAN