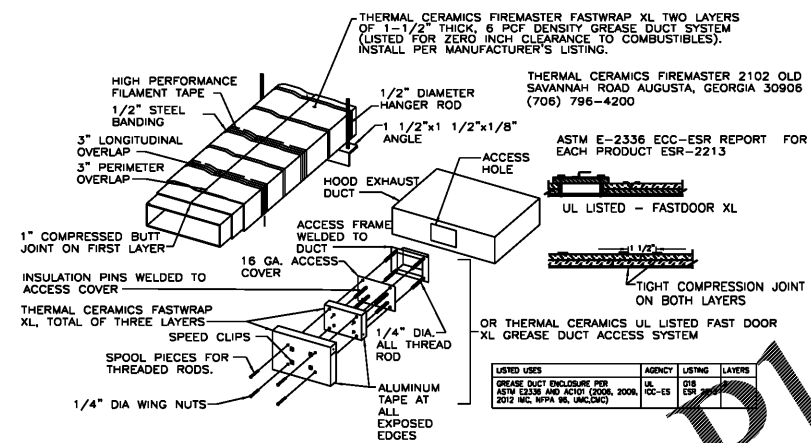
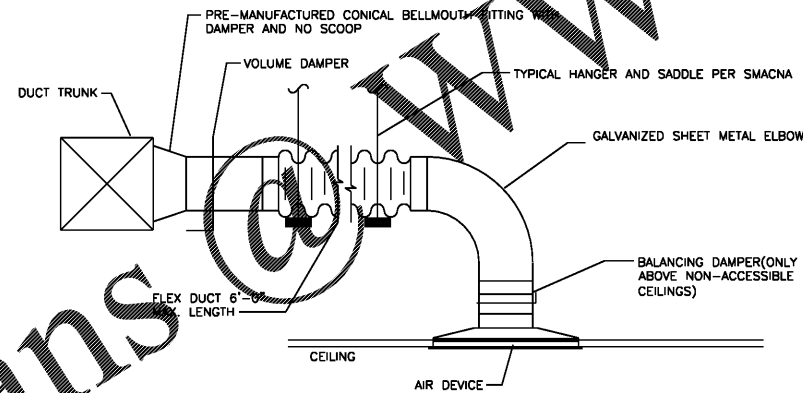


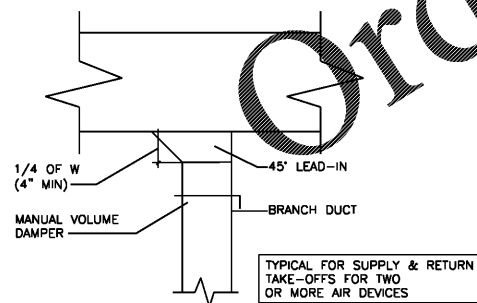
1 FLOOR PLAN - HVAC  
M100 SCALE: 1/4" = 1'-0"



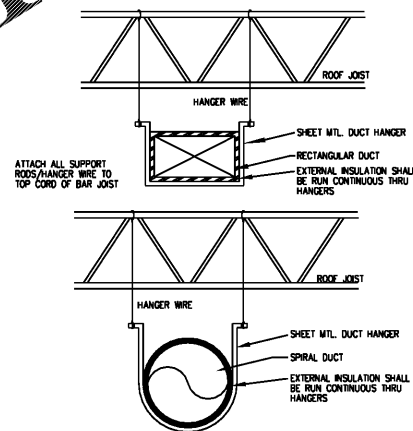
1 HOOD EXHAUST DUCT WRAP DETAIL  
M100 N.T.S.



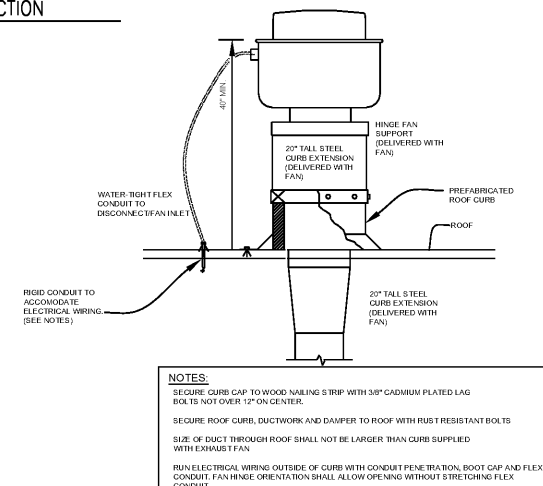
2 TYPICAL FLEXIBLE DUCT CONNECTION  
M100 N.T.S.



3 BRANCH TAKE-OFF  
M100 N.T.S.



DUCT HANGER DETAIL

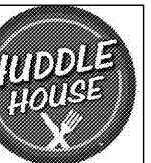
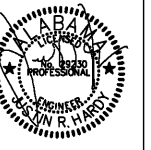


NOTES:  
SECURE CURB CAP TO WOOD NAILING S BRP WITH 3/8\"/>

UPBLAST FAN (GREASE) DETAIL  
PROVIDE SIMILAR CURB AT ALL ROOF GREASE-RATED EXHAUST FANS

MECHANICAL NOTES:

- DUCTWORK LOCATED ABOVE CEILING BETWEEN TRUSSES AND THROUGH JOIST WEBBING. COORDINATE WITH STRUCTURE.
- GREASE EXHAUST DUCT ABOVE HOOD (CONCEALED BY SS PANELS) WITH FIRE RATED ZERO CLEARANCE DUCT WRAP. SLOPE BACK TO HOOD AT 1/4" PER FT. MIN.
- REMOTE TEMPERATURE & HUMIDITY SENSORS TO BE COMPATIBLE WITH THERMOSTATS. MOUNT ON WALL OR IN RETURN GRILLE FOR UNIT DESIGNATED.
- CEILING MOUNTED EXHAUST FAN. CONTROLLED WITH LIGHTS. CENTER OVER WATER CLOSET.
- PROGRAMMABLE THERMOSTATS FOR ROOFTOP UNITS, GANGED ON WALL +/-48" A.F.F. PROVIDE LOCKABLE COVER.
- 1" DOOR UNDERCUT (TYP.)
- MANUAL VOLUME DAMPER (TYP.)
- SUPPLY AIR DUCT DROP FROM UNIT ON ROOF. PROVIDE FULL SIZE DROP TO DUCT SIZE INDICATED.
- RETURN AIR DUCT DROP FROM UNIT ON ROOF. PROVIDE FULL SIZE DROP TO DUCT SIZE INDICATED.
- GREASE EXHAUST DUCT UP TO ROOF MOUNTED GREASE EXHAUST FAN. REFER TO HOOD DRAWINGS. SHEETS MH100 THROUGH MH103. DUCT SHALL BE 16 GA. EXTERNALLY LIQUID TIGHT BLACK IRON.
- EXHAUST AIR DUCT UP TO ROOFCAP. PENETRATION SHALL MEET ALL LOCAL AND STATE CODES.
- PROVIDE DUCT MOUNTED SMOKE DETECTOR IN RETURN MAIN DUCT. SMOKE DETECTOR SHALL SHUT OFF UNIT WHEN SMOKE IS DETECTED. PROVIDE VISUAL & AUDIBLE ALARM IN A CONSTANTLY OCCUPIED LOCATION.
- AIR-TITE FITTING WITH VOLUME DAMPER (TYP.)
- PLENUM RATED FLEXIBLE DUCTWORK ABOVE ACCESSIBLE CEILING ONLY. (TYP.)
- TRANSITION HOOD EXHAUST DUCT TO EXHAUST COLLAR ON HOOD. WELD DUCT TO COLLAR. REFER TO HOOD DRAWINGS SHEETS MH100 THROUGH MH103.
- OUTLINE OF ROOF MOUNTED EXHAUST FAN. REFER TO ROOF PLAN.
- OUTLINE OF GAS FIRED ROOFTOP UNIT. REFER TO ROOF PLAN.
- MANUFACTURER PROVIDED VENT PIPE FROM WATER HEATER (WH-1) TO CONCENTRIC VENT THROUGH ROOF. SIZE AND INSTALL PER MANUFACTURER'S RECOMMENDATIONS. MAINTAIN 10'-0" FROM ROOFTOP UNIT OUTSIDE AIR AND COMBUSTION AIR INTAKES.
- MANUFACTURER PROVIDED COMBUSTION AIR INTAKE PIPE FROM WATER HEATER (WH-1) TO CONCENTRIC VENT THROUGH ROOF. SIZE AND INSTALL PER MANUFACTURER'S RECOMMENDATIONS.
- PLENUM WITH 1" DUCT LINER TO 10'-0" FROM UNIT SHOWN (MINIMUM SIZE = DIMENSION OF UNIT OPENING FOR HEIGHT AND WIDTH).
- WATER HEATER CONCENTRIC VENT THROUGH ROOF.
- STAINLESS STEEL LIQUID TIGHT DISHWASHER HOOD EXHAUST DUCT. SLOPE DOWN TO HOOD AT 1/4" PER FOOT MIN.
- COOLER COMPRESSOR.



JOB NO. LI908

NORWOOD ARCHITECTS  
807 Corporate Blvd. N.W.  
Atlanta, Georgia 30318  
Ph. 678-921-0302 fax. 678-921-0301  
www.norwoodarchitects.com

HUDDLE HOUSE  
EVO 2000 RESTAURANT  
US HWY 43 RUSSELLVILLE, AL  
FRANKLIN CO. 35653

NO.	ISSUE DATE
	PERMIT SET 7/2019

DRAWING NUMBER

M100

MECHANICAL FLOOR PLAN