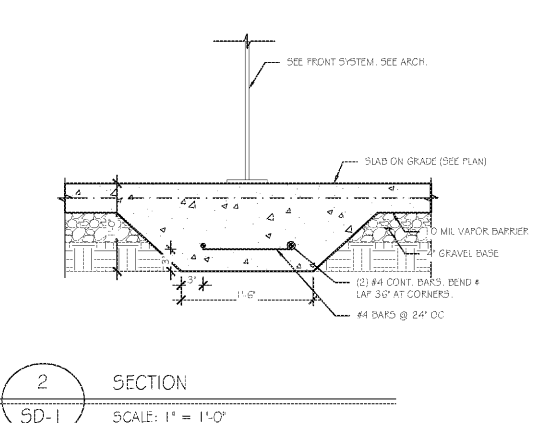
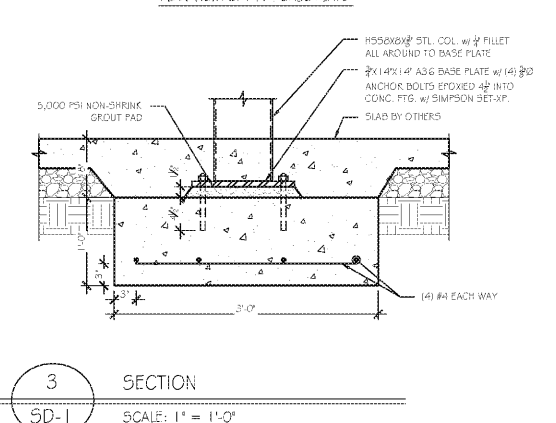


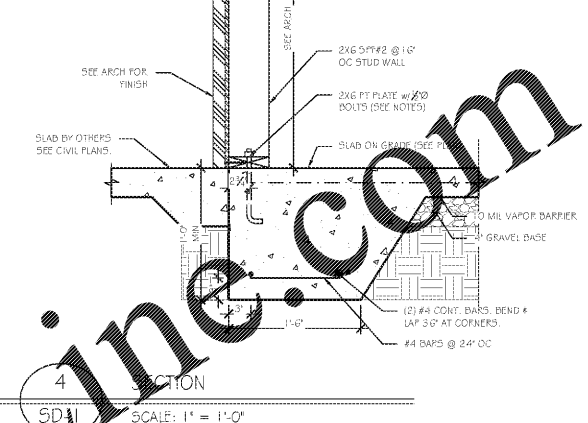
1 SECTION
SD-1 SCALE: 1" = 1'-0"



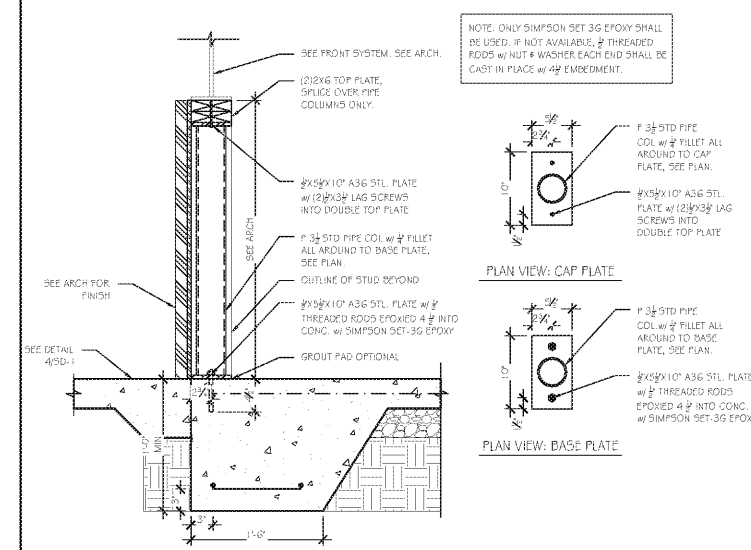
2 SECTION
SD-1 SCALE: 1" = 1'-0"



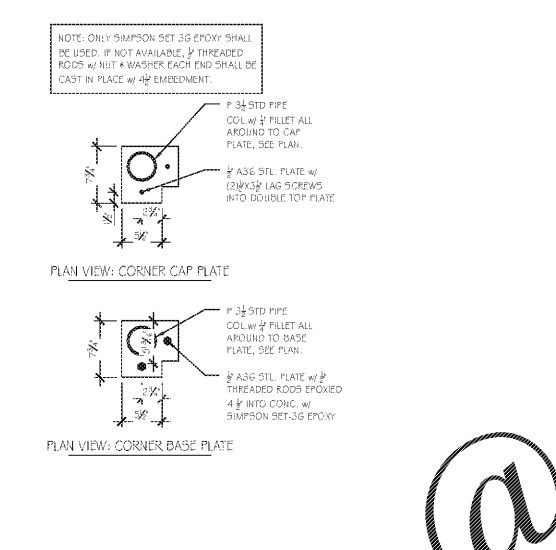
3 SECTION
SD-1 SCALE: 1" = 1'-0"



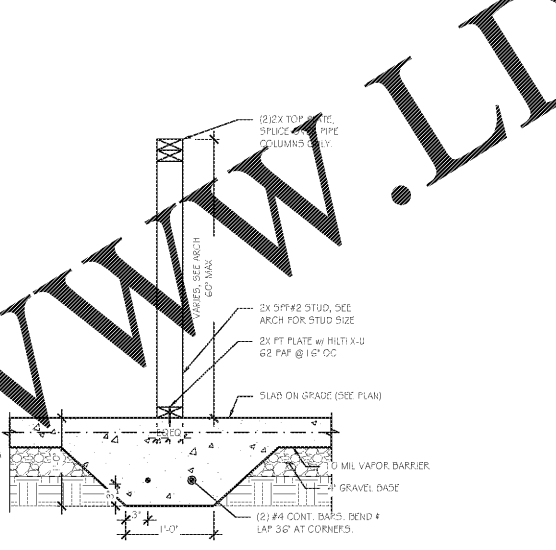
4 SECTION
SD-1 SCALE: 1" = 1'-0"



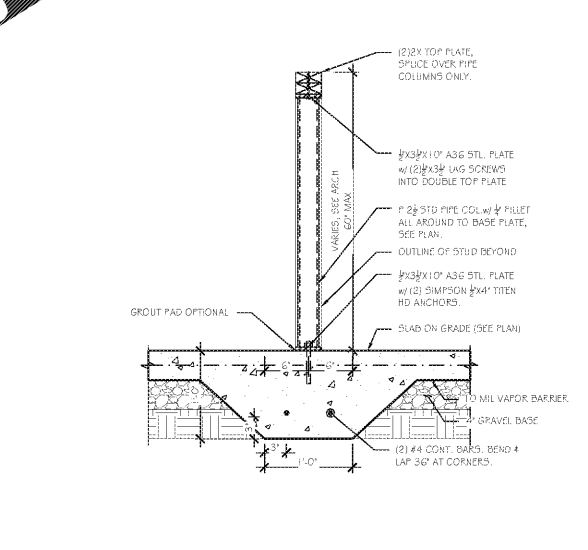
5 SECTION
SD-1 SCALE: 1" = 1'-0"



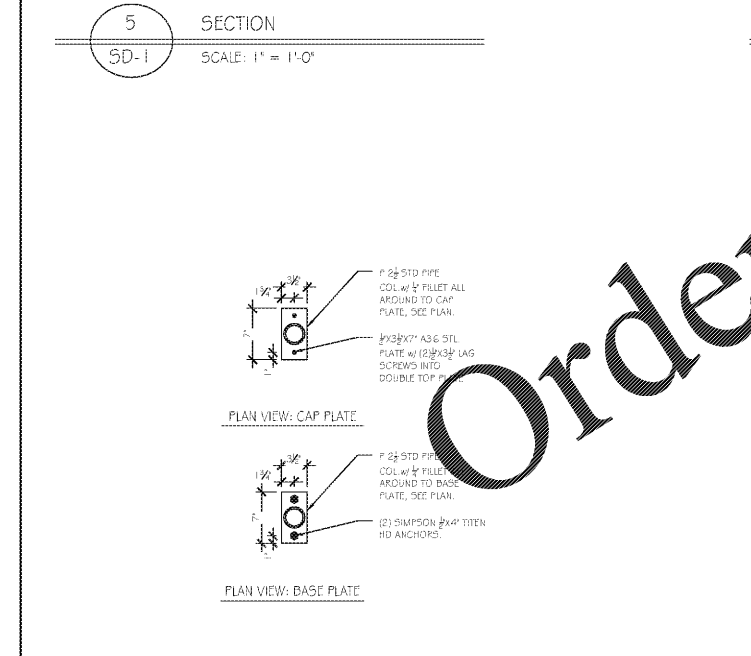
6 SECTION
SD-1 SCALE: 1" = 1'-0"



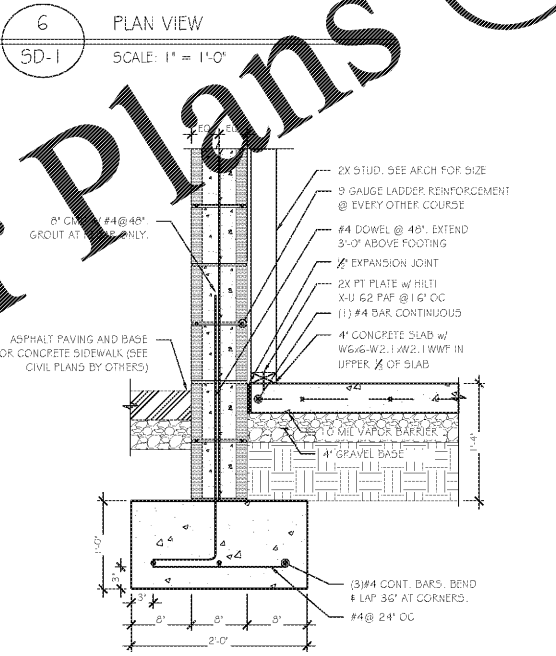
7 SECTION
SD-1 SCALE: 1" = 1'-0"



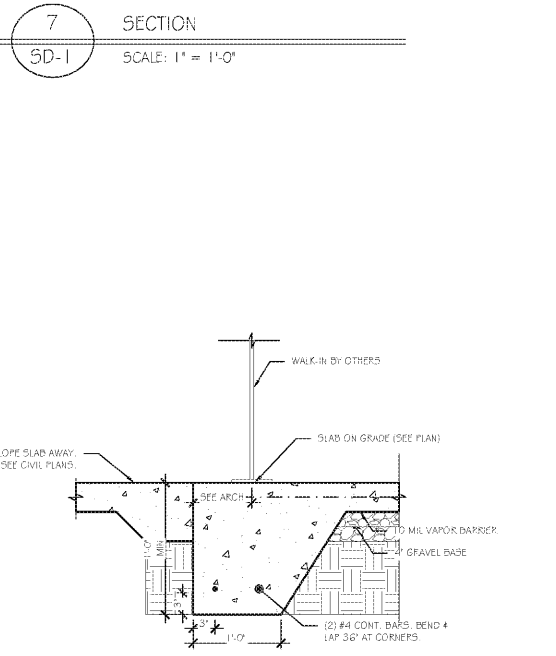
8 SECTION
SD-1 SCALE: 1" = 1'-0"



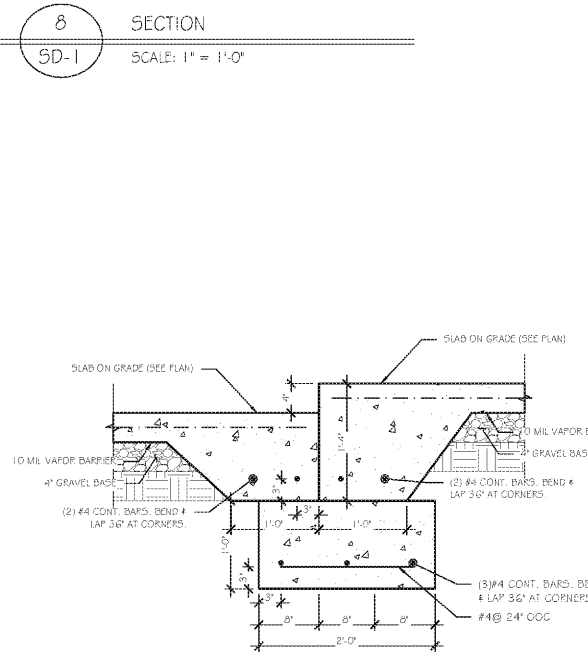
9 SECTION
SD-1 SCALE: 1" = 1'-0"



10 SECTION
SD-1 SCALE: 1" = 1'-0"



11 SECTION
SD-1 SCALE: 1" = 1'-0"



12 SECTION
SD-1 SCALE: 1" = 1'-0"



9 PLAN VIEW
SD-1 SCALE: 1" = 1'-0"



10 PLAN VIEW
SD-1 SCALE: 1" = 1'-0"



11 PLAN VIEW
SD-1 SCALE: 1" = 1'-0"



12 PLAN VIEW
SD-1 SCALE: 1" = 1'-0"

Order Plans @ WWW.LDILLING.COM

KOBLASZ & KENNISON
ENGINEERING, P.C.
232 CREEKSTONE RIDGE WOODSTOCK, GA 30188
404 | 860 | 2600

THESE DRAWINGS, DESIGNS, AND SPECIFICATIONS REPRESENTED ARE THE PROPERTY OF THE STRUCTURAL ENGINEER OF RECORD, AND MAY NOT BE REPRODUCED OR USED FOR CONSTRUCTION PURPOSES WITHOUT WRITTEN CONSENT. COPYRIGHT AS PER DRAWING DATE. BUILDER SHALL BE SOLELY RESPONSIBLE FOR ENSURING THAT THESE PLANS ARE ACCURATE AND THAT THE STRUCTURE IS CONSTRUCTED IN ACCORDANCE WITH ALL APPLICABLE BUILDING CODES. DIMENSIONS SHOULD BE READ OR CALCULATED AND NEVER SCALED. CONTRACTOR SHALL VERIFY ALL CONDITIONS AND DIMENSIONS AT THE SITE BEFORE BEGINNING CONSTRUCTION.

HUDDLE HOUSE
EVO 2000 RESTAURANT
US HWY 43 RUSSELLVILLE, AL
FRANKLIN CO. 35653

SUBMITTALS:

DATE	DESCRIPTION
07-06-2019	STRUCTURAL DESIGN ISSUED

SHEET TITLE:
STRUCTURAL DETAILS

JOB NUMBER: 19102
ENGINEER: LHK
CHECKED BY: LHK



SHEET NUMBER:
SD-1

RELEASED FOR CONSTRUCTION