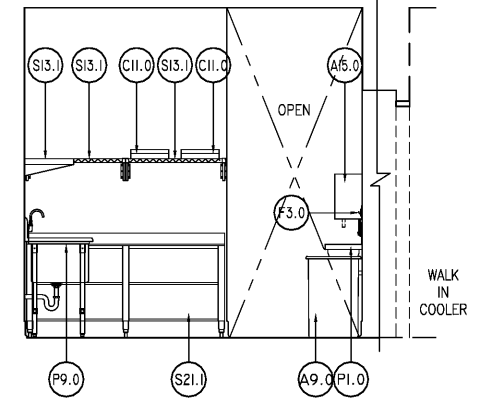
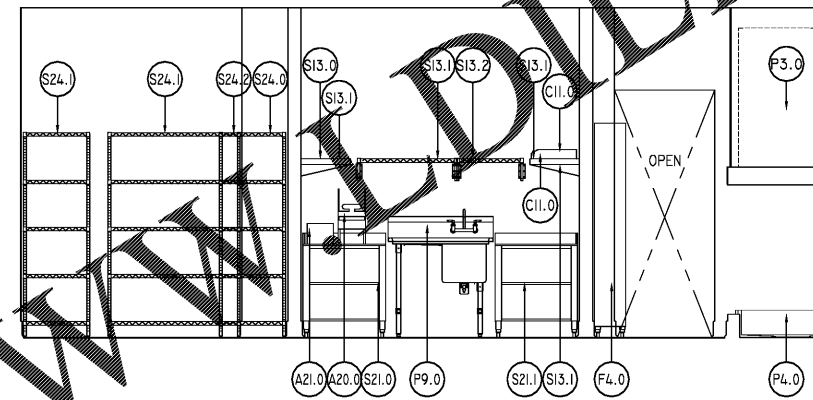
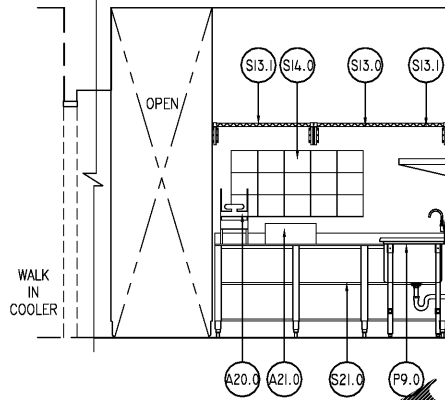
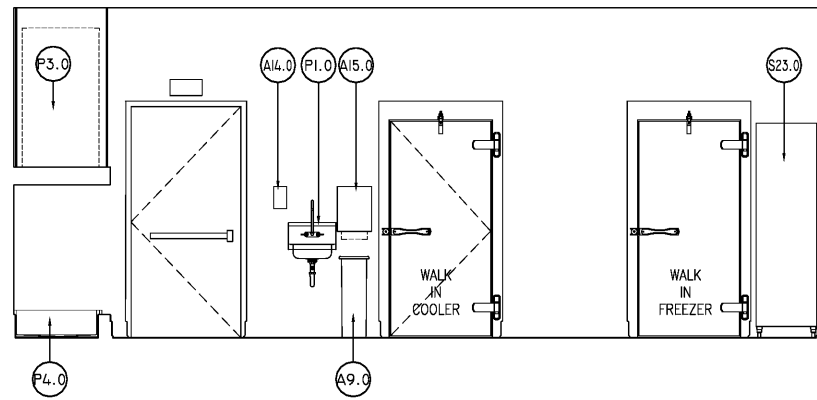


2 ENTRY / DINING CHECK OUT
SCALE: 3/8"=1'-0"

SEE 2/401 FOR INTERIOR FINISH ELEVATION

1 ENTRY / DINING VIEW WALL
SCALE: 3/8"=1'-0"

SEE 1/401 FOR INTERIOR FINISH ELEVATION



6 PREP TOWARD WALK INS
SCALE: 3/8"=1'-0"

SEE 6/401 FOR INTERIOR FINISH ELEVATION

5 PREP WALL
SCALE: 3/8"=1'-0"

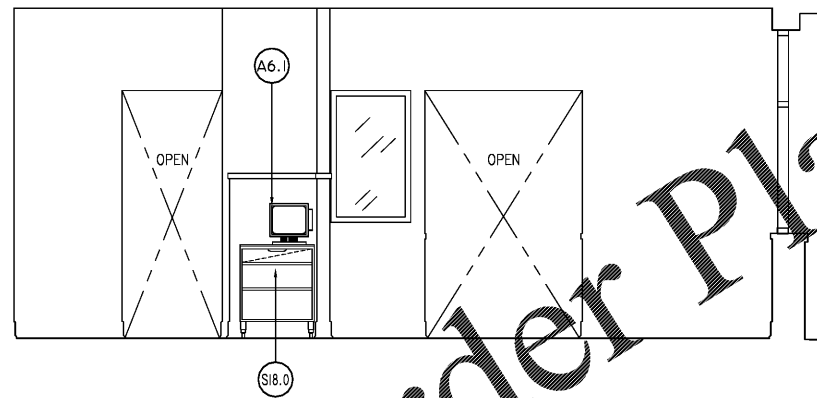
SEE 5/401 FOR INTERIOR FINISH ELEVATION

4 PREP TOWARD KITCHEN
SCALE: 3/8"=1'-0"

SEE 4/401 FOR INTERIOR FINISH ELEVATION

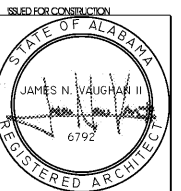
3 PREP WALL
SCALE: 3/8"=1'-0"

SEE 3/401 FOR INTERIOR FINISH ELEVATION



7 REAR KITCHEN & DINING
SCALE: 3/8"=1'-0"

SEE 7/401 FOR INTERIOR FINISH ELEVATION



JOB NO. L1908

NORWOOD ARCHITECTS
807 Forest St. N.W.
Atlanta, Georgia 30318
ph: 678-921-0302 fax: 678-921-0301 www.norwoodarchitect.com

HUDDLE HOUSE
EVO 2000 RESTAURANT
15477 HWY 43 RUSSELLVILLE, AL
FRANKLIN CO. 35653

NO.	ISSUE DATE
	PERMIT SET 07/05/2019

DRAWING NUMBER
FOOD SERVICE EQUIP.
ELEVATIONS

A703

Order Plans @ WWW.WDOLINE.COM