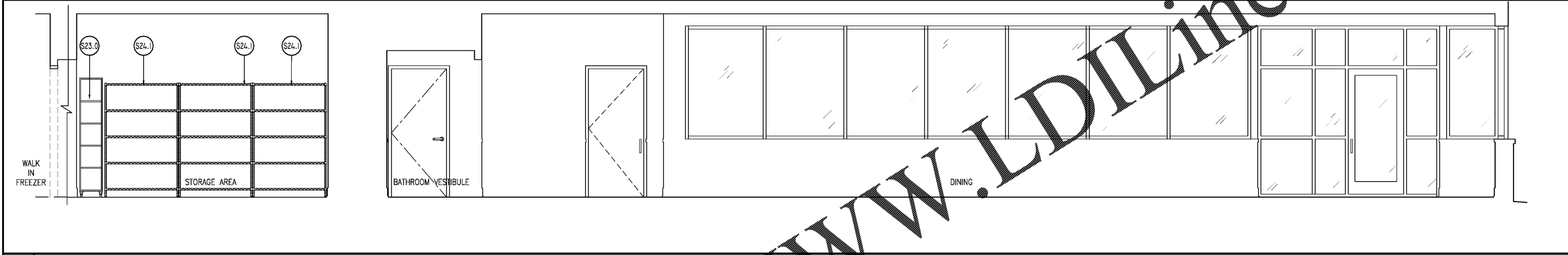
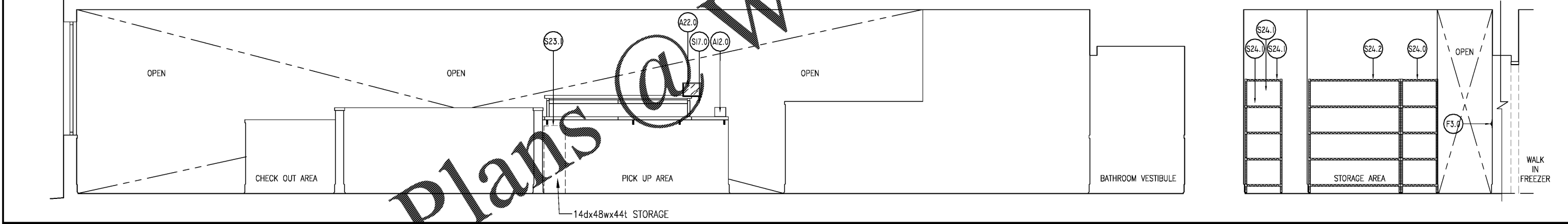


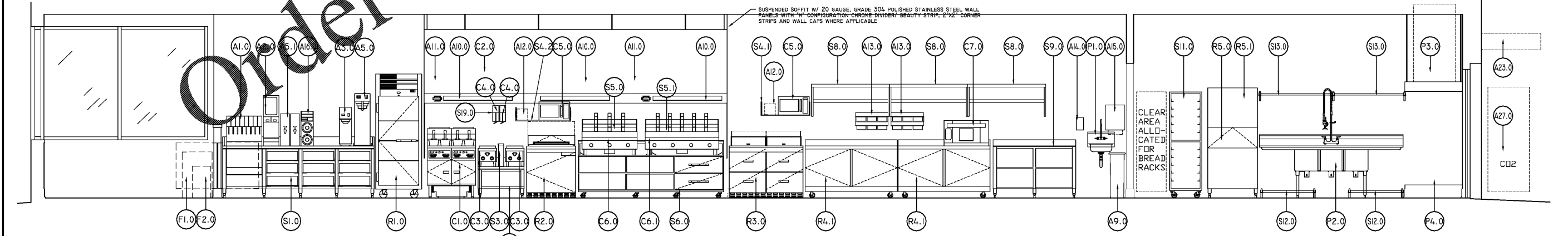
1 COOK LINE FRONT WALL
 SCALE: 3/8"=1'-0"
 SEE 1/400 FOR INTERIOR FINISH ELEVATION



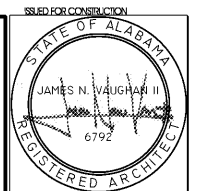
2 DINING FRONT WALL
 SCALE: 3/8"=1'-0"
 SEE 2/400 FOR INTERIOR FINISH ELEVATION



3 DINING KITCHEN SIDE WALL
 SCALE: 3/8"=1'-0"
 SEE 3/400 FOR INTERIOR FINISH ELEVATION



4 COOK LINE REAR WALL
 SCALE: 3/8"=1'-0"
 SEE 4/400 FOR INTERIOR FINISH ELEVATION



JOB NO. L1908

NORWOOD ARCHITECTS
 807 Forester St. N.W.
 Atlanta, Georgia 30318
 ph. 678-921-0302 fax. 678-921-0301 www.norwoodarchitect.com

HUDDLE HOUSE
 EVO 2000 RESTAURANT
 15477 HWY 43 RUSSELLVILLE, AL
 FRANKLIN CO. 35653

NO.	ISSUE DATE
	PERMIT SET 07/05/2019

DRAWING NUMBER
 FOOD SERVICE EQUIP. ELEVATIONS

A702

Order Plans @ www.LDILine.com