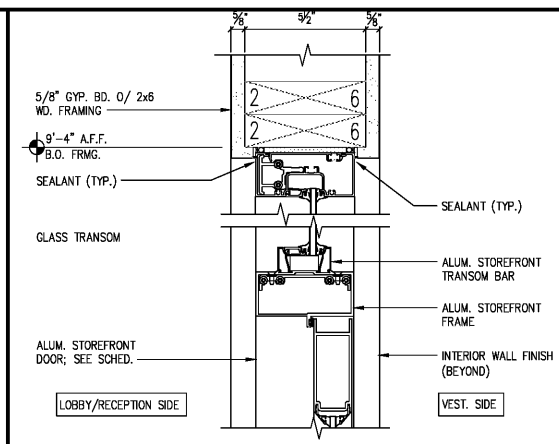
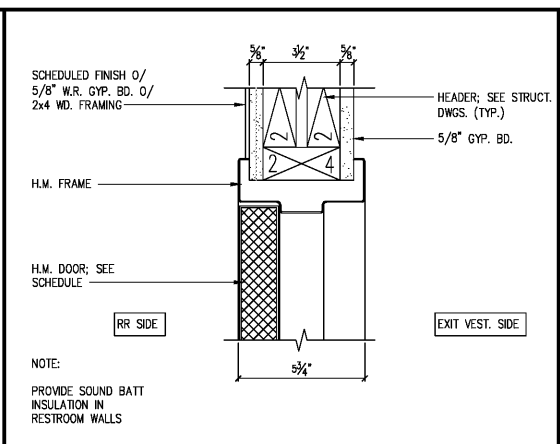


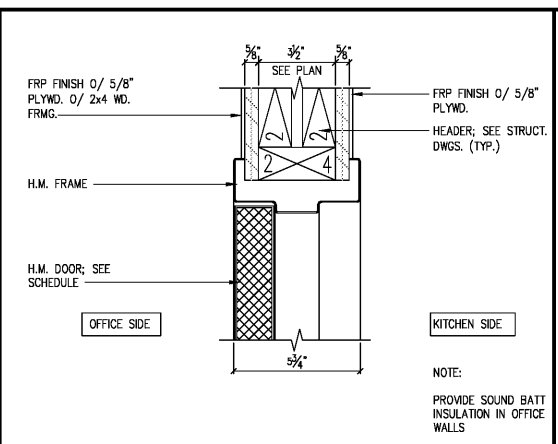
1 HEAD/SILL DETAIL WINDOW SCALE: 3"=1'-0"



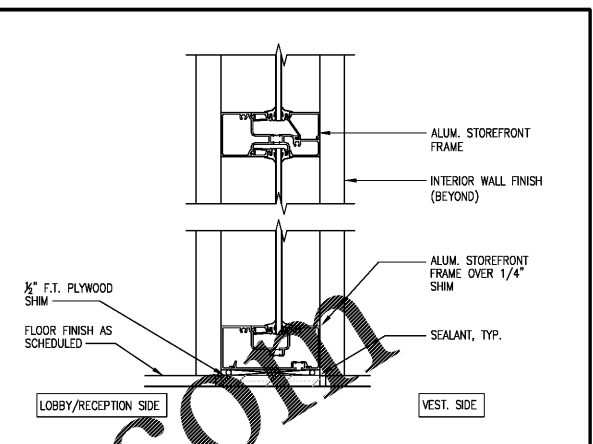
5 HEAD DETAIL DOOR TYPE "B" DOOR WINDOW SCALE: 3"=1'-0"



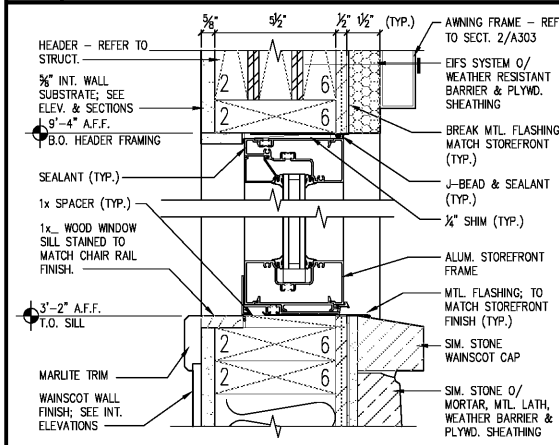
9 HEAD DETAIL DOOR TYPE "F" DOORS SCALE: 3"=1'-0"



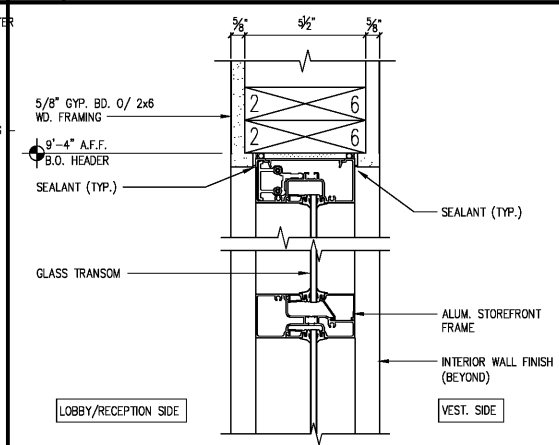
13 HEAD DETAIL DOOR TYPE "E" DOOR SCALE: 3"=1'-0"



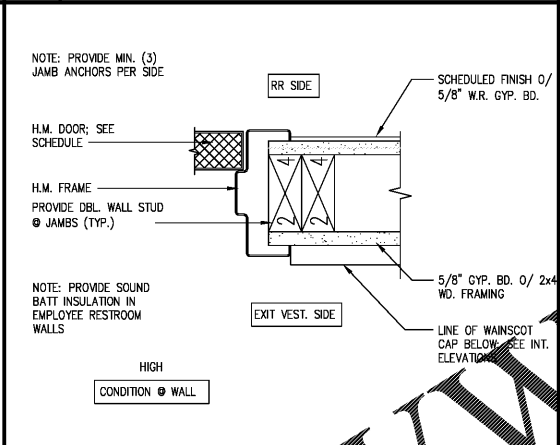
17 SILL DETAIL WINDOW SCALE: 3"=1'-0"



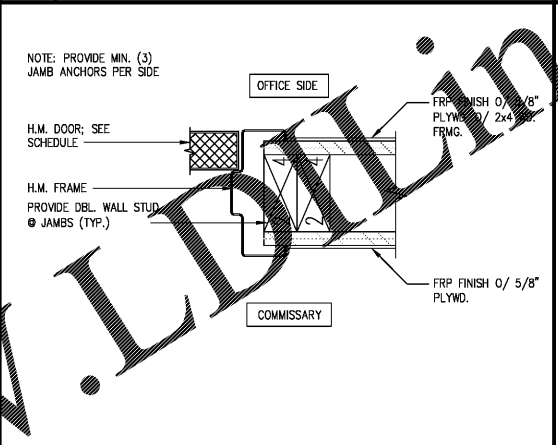
2 HEAD/SILL DETAIL WINDOWS SCALE: 3"=1'-0"



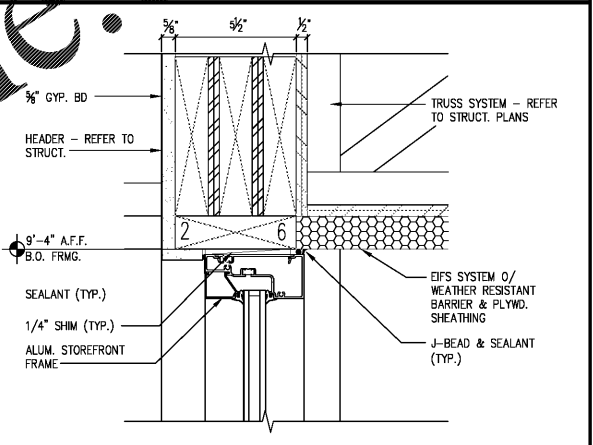
6 HEAD DETAIL WINDOW SCALE: 3"=1'-0"



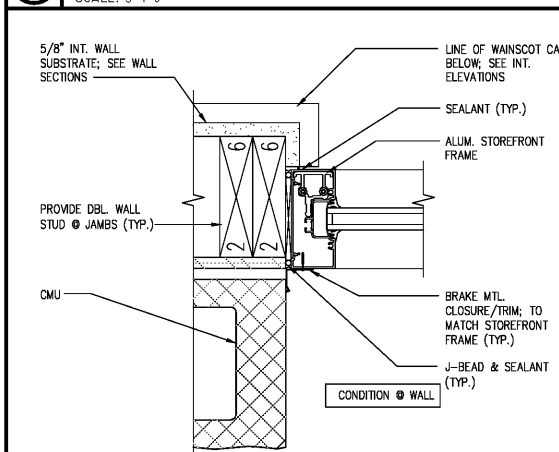
10 JAMB DETAIL DOOR TYPE "B" DOORS SCALE: 3"=1'-0"



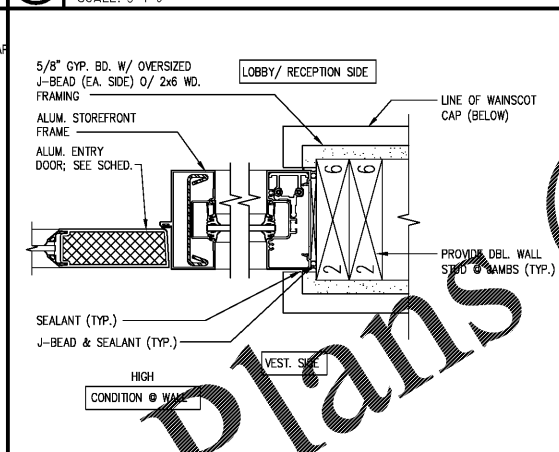
14 JAMB DETAIL DOOR TYPE "E" DOOR SCALE: 3"=1'-0"



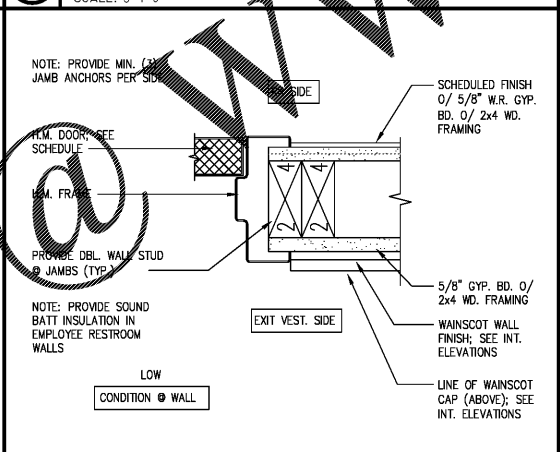
18 HEAD DETAIL WINDOW SCALE: 3"=1'-0"



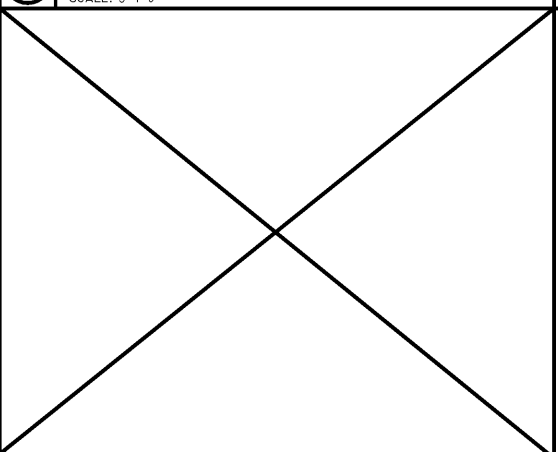
3 JAMB DETAIL WINDOWS SCALE: 3"=1'-0"



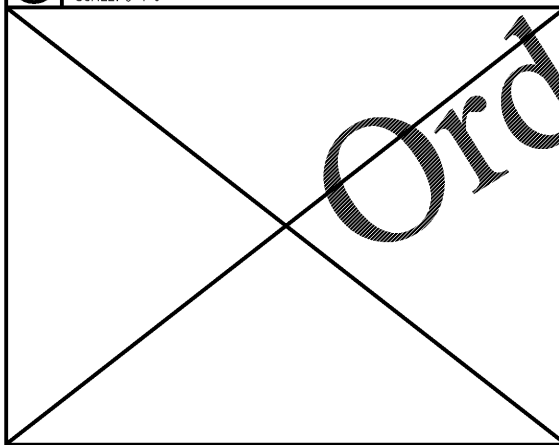
7 JAMB DETAIL DOOR TYPE "B" DOOR WINDOW SCALE: 3"=1'-0"



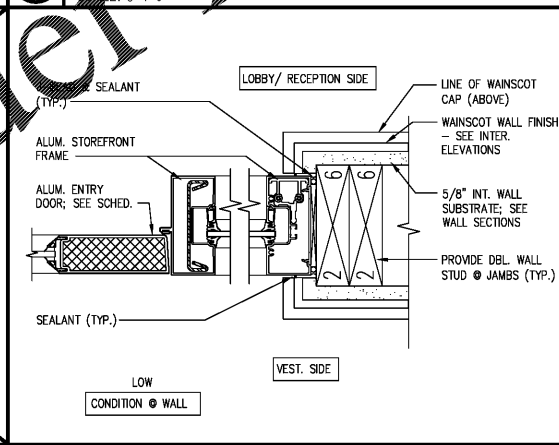
11 JAMB DETAIL DOOR TYPE "F" DOORS SCALE: 3"=1'-0"



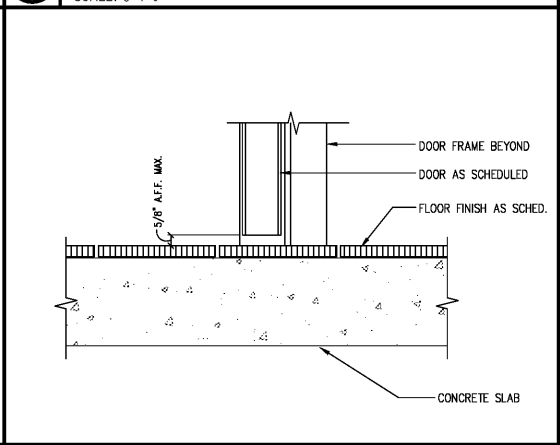
15 NOT USED SCALE: 3"=1'-0"



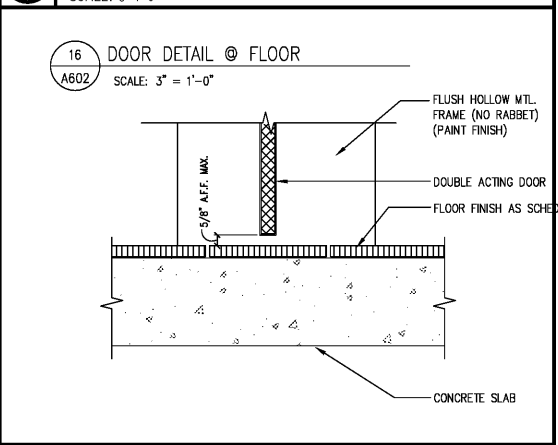
4 NOT USED SCALE: 3"=1'-0"



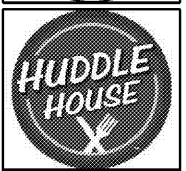
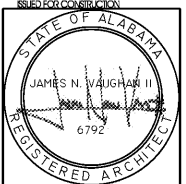
8 JAMB DETAIL DOOR TYPE "B" DOOR WINDOW SCALE: 3"=1'-0"



12 DOOR DETAIL @ FLOOR DOOR TYPES "B" & "F" DOORS SCALE: 3"=1'-0"



16 DOOR DETAIL @ FLOOR DOOR TYPE "G" DOOR SCALE: 3"=1'-0"



JOB NO. L1908

NORWOOD ARCHITECTS  
807 Forester Ln NW  
Atlanta, Georgia 30318  
ph: 678-921-0302 fax: 678-921-0301 www.norwoodarchitect.com

HUDDLE HOUSE  
EVO 2000 RESTAURANT  
15477 HWY 43 RUSSELLVILLE, AL  
FRANKLIN CO. 35653

NO.	ISSUE DATE
	PERMIT SET 07/05/2019

DRAWING NUMBER  
**A602**  
WINDOW AND WINDOW DETAILS

Order Plans

WWW.LDLINE.COM