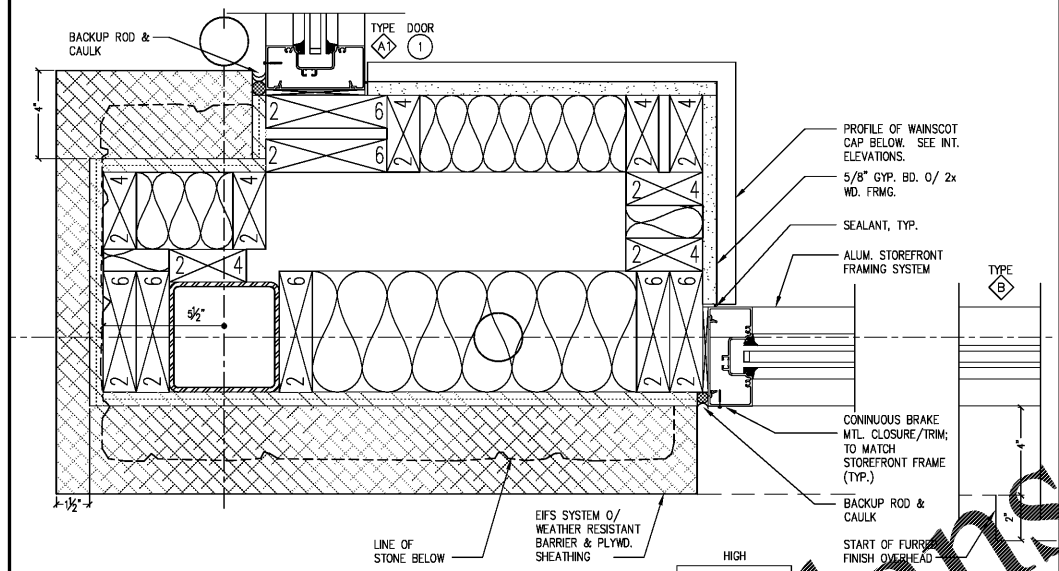
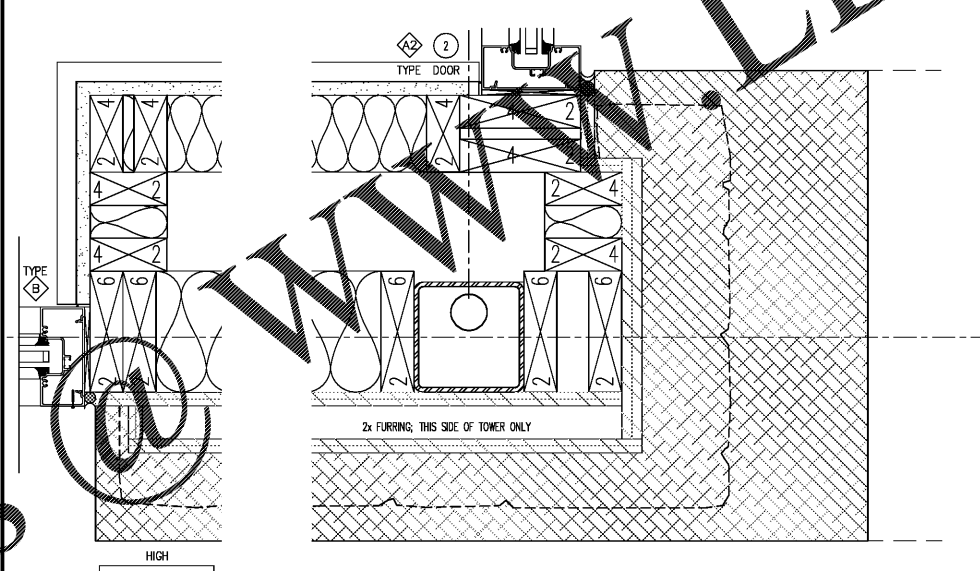


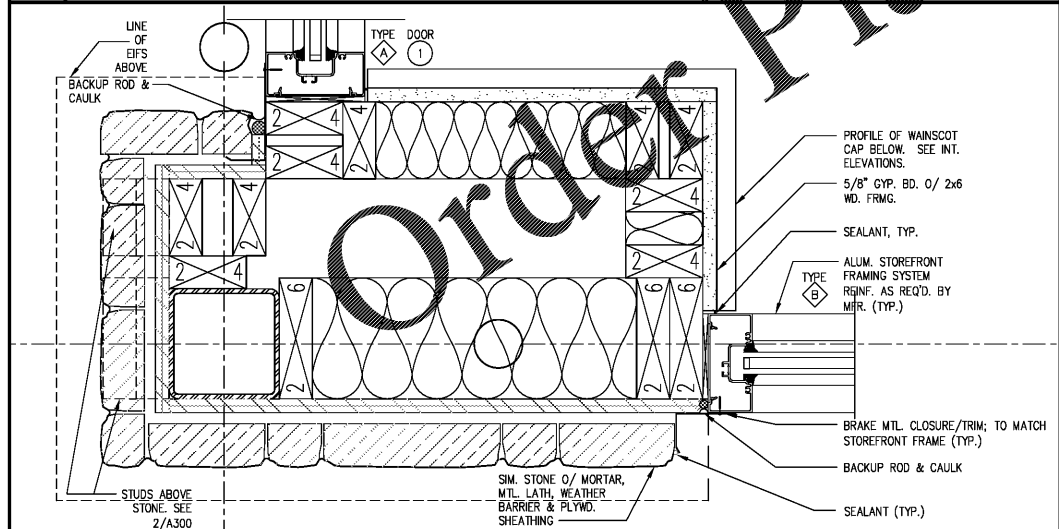
1 ENLARGED VESTIBULE PLAN
SCALE: 3/4"=1'-0"



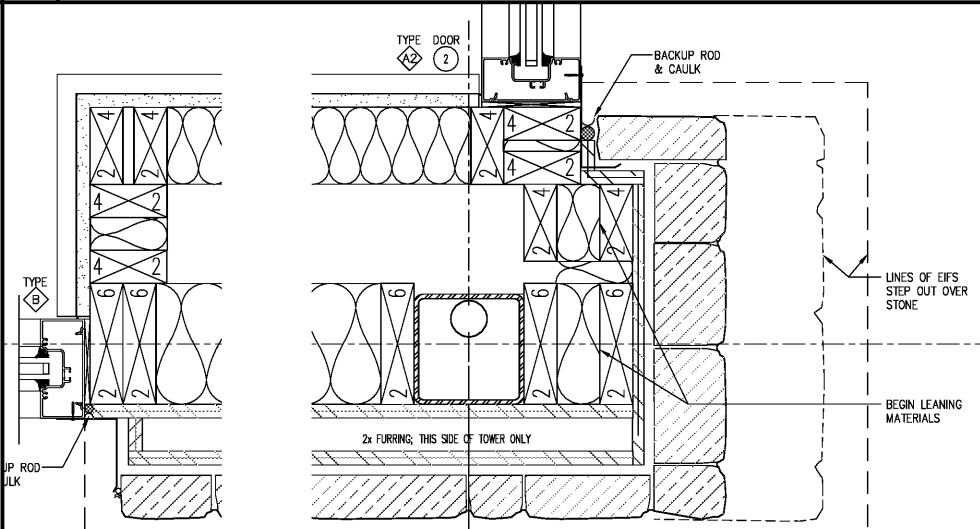
4 JAMB DETAIL
SCALE: 3/4"=1'-0"



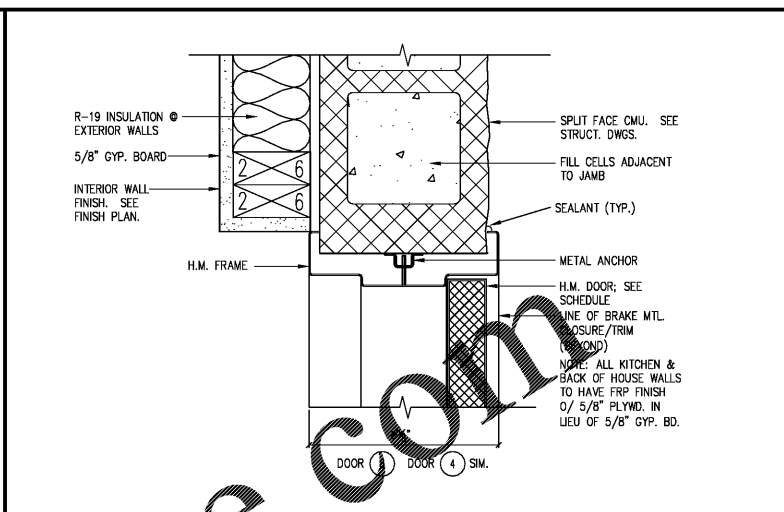
6 JAMB DETAIL
SCALE: 3/4"=1'-0"



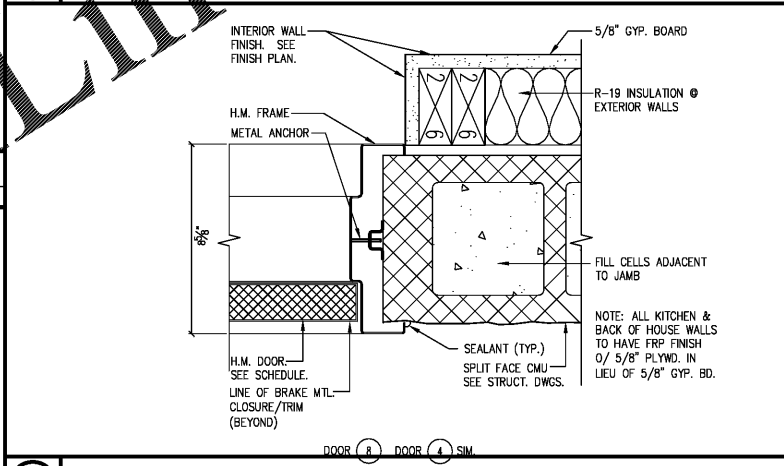
5 JAMB DETAIL
SCALE: 3/4"=1'-0"



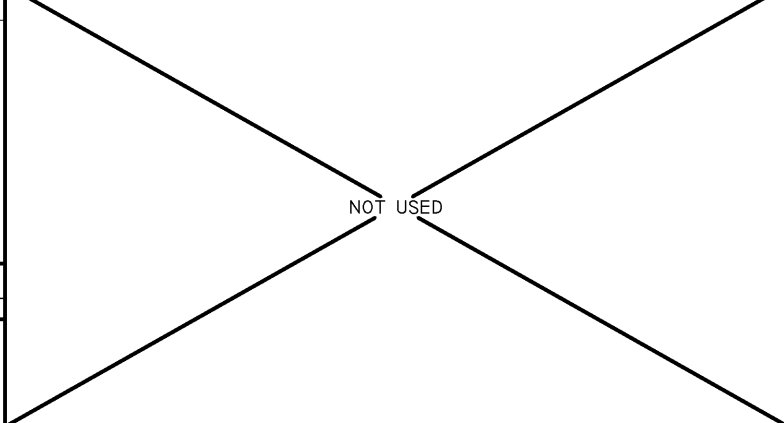
7 JAMB DETAIL
SCALE: 3/4"=1'-0"



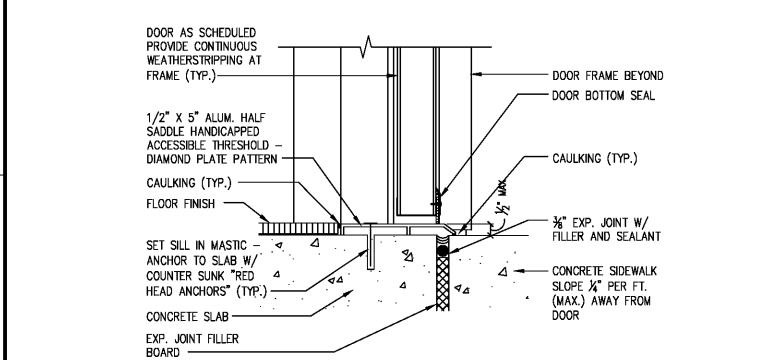
8 HEAD DETAIL
SCALE: 3/4"=1'-0"



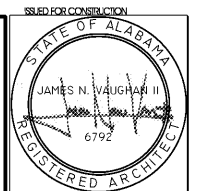
9 JAMB DETAIL
SCALE: 3/4"=1'-0"



10 JAMB DETAIL
SCALE: 3/4"=1'-0"



11 TYP. THRESHOLD DETAIL
SCALE: 3/4"=1'-0"



JOB NO. L1908

NORWOOD ARCHITECTS
807 Forsyth St. N.W.
Atlanta, Georgia 30318
ph: 678-921-0302 fax: 678-921-0301 www.norwoodarchitect.com

HUDDLE HOUSE
EVO 2000 RESTAURANT
15477 HWY 43 RUSSELLVILLE, AL
FRANKLIN CO. 35653

NO. ISSUE DATE
PERMIT SET
07/05/2019

DRAWING NUMBER
**ENLRGD ENTRY
PLAN & EXTR.
DOOR DETLS.
A601**