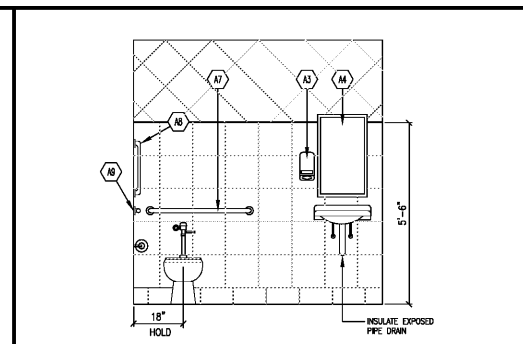
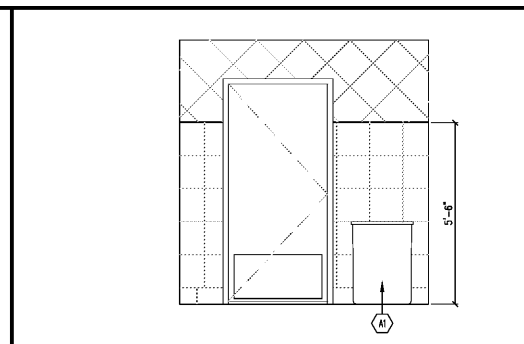


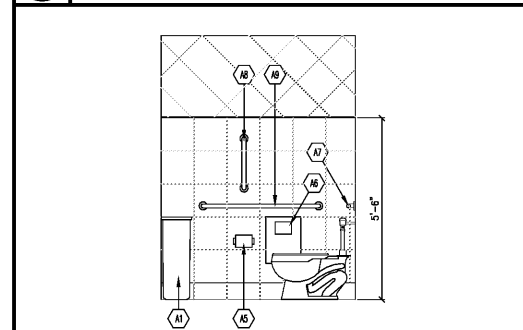
1 ENLARGED RESTROOM PLAN
SCALE: 3/8"=1'-0"



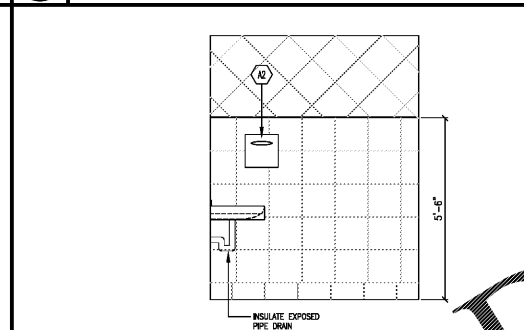
2 INTERIOR ELEVATION
SCALE: 3/8"=1'-0"



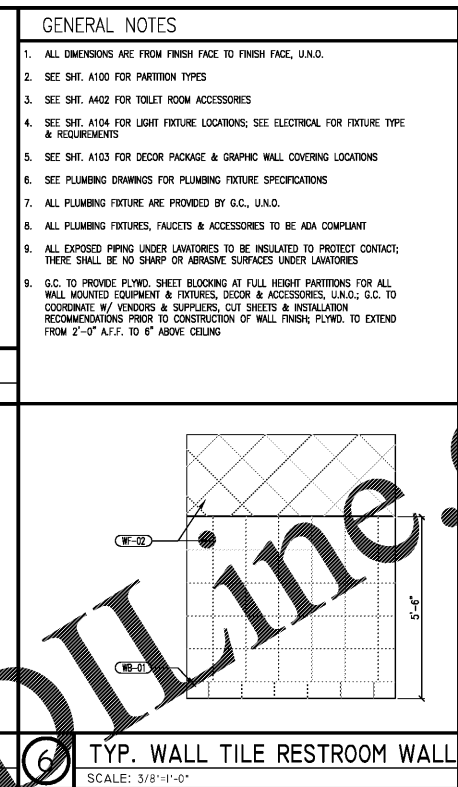
3 INTERIOR ELEVATION
SCALE: 3/8"=1'-0"



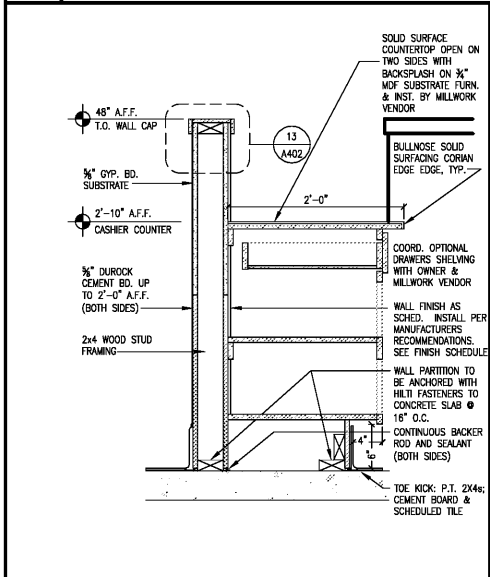
4 INTERIOR ELEVATION
SCALE: 3/8"=1'-0"



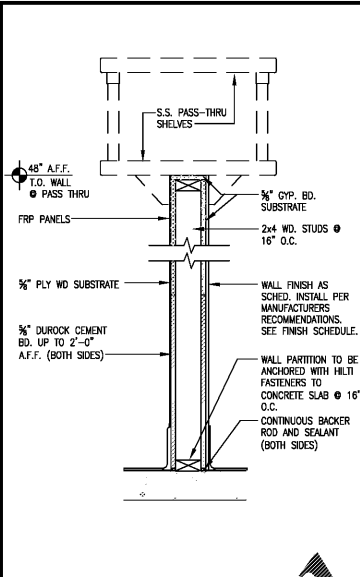
5 INTERIOR ELEVATION
SCALE: 3/8"=1'-0"



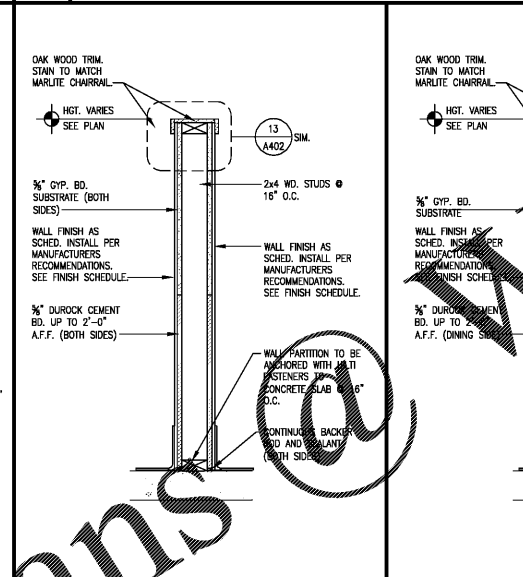
6 TYP. WALL TILE RESTROOM WALL
SCALE: 3/8"=1'-0"



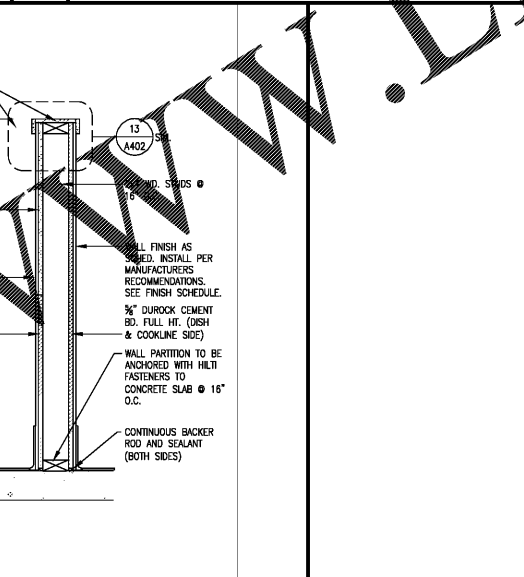
7 CASHIER COUNTER
SCALE: 3/8"=1'-0"



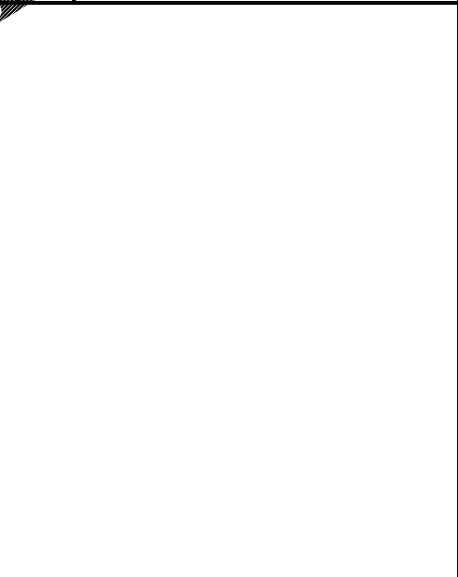
8 LOW WALL SECTION @ PASS-THRU
SCALE: 1"=1'-0"



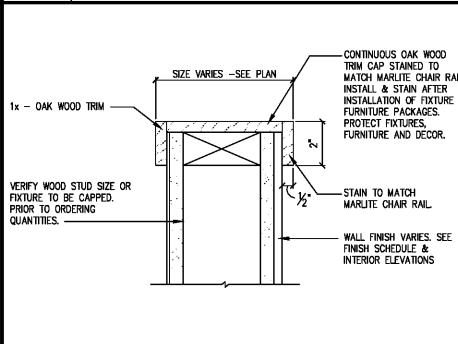
9 LOW WALL SECTION
SCALE: 1"=1'-0"



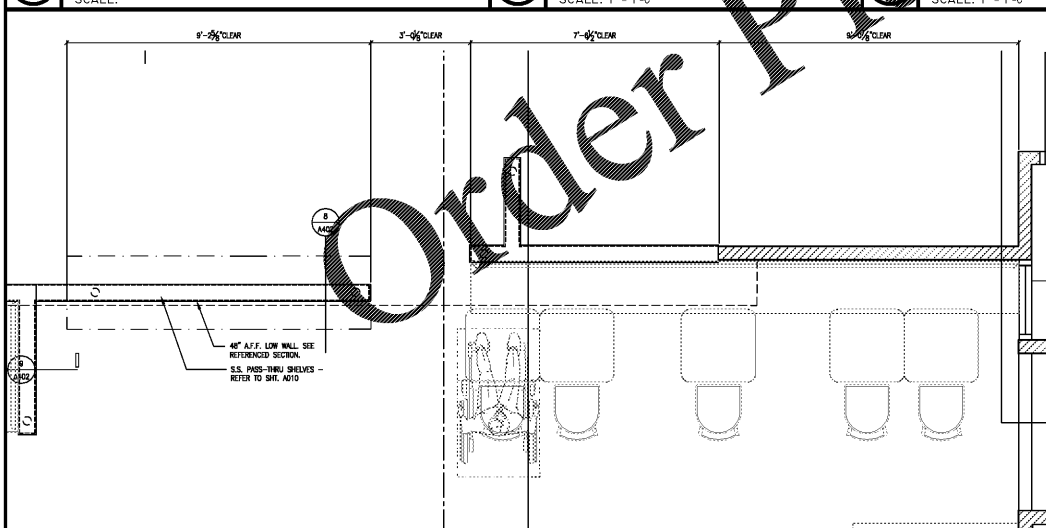
10 KITCH/DINING LOW WALL
SCALE: 1"=1'-0"



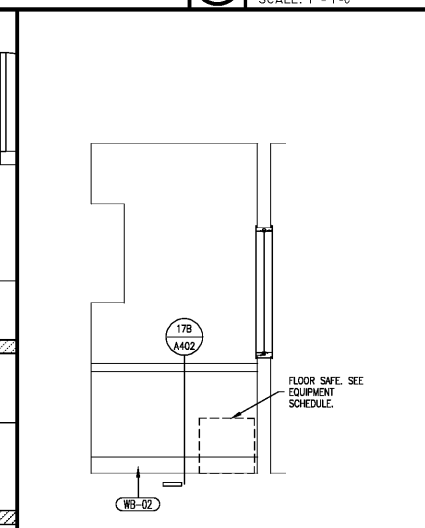
11 NOT USED
SCALE: 1"=1'-0"



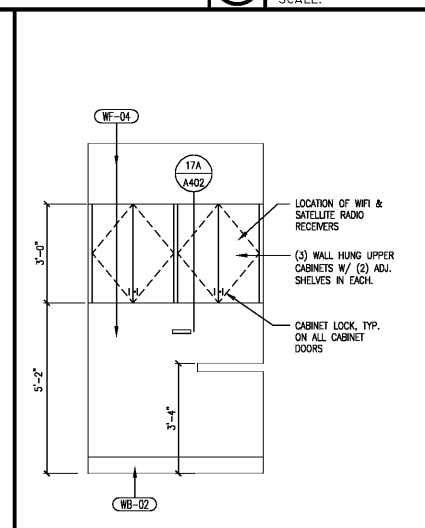
13 WALL TRIM CAP
SCALE: 3"=1'-0"



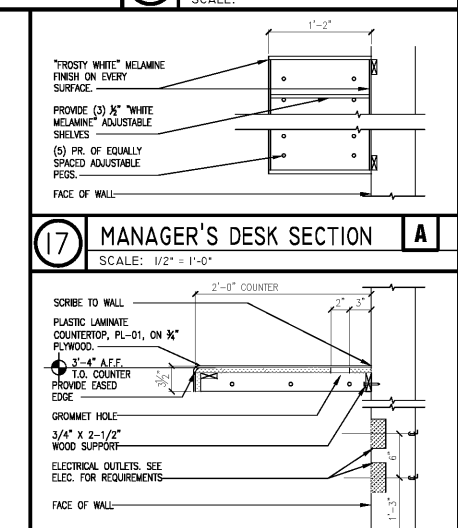
14 LOW WALL @ PASS-THRU DINING COUNTER
SCALE: 1/2"=1'-0"



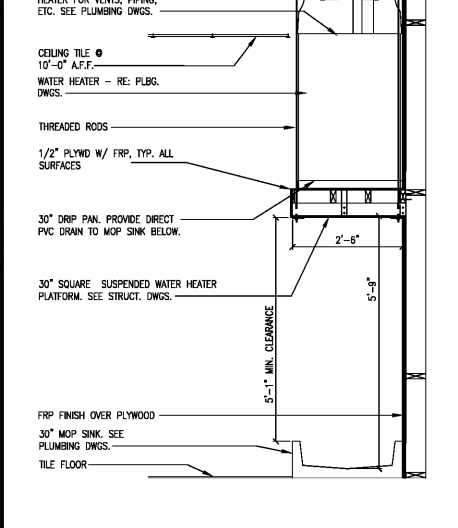
15 MANAGER'S OFFICE SECTION
SCALE: 3/8"=1'-0"



16 MANAGER'S OFFICE SECTION
SCALE: 3/8"=1'-0"



17 MANAGER'S DESK SECTION
SCALE: 1/2"=1'-0"



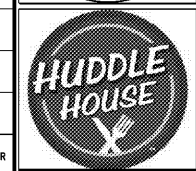
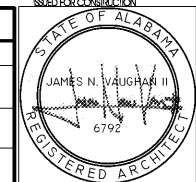
18 WATER HEATER DETAIL
SCALE: 1/2"=1'-0"

GENERAL NOTES

- ALL DIMENSIONS ARE FROM FINISH FACE TO FINISH FACE, U.N.O.
- SEE SHT. A100 FOR PARTITION TYPES
- SEE SHT. A402 FOR TOILET ROOM ACCESSORIES
- SEE SHT. A104 FOR LIGHT FIXTURE LOCATIONS; SEE ELECTRICAL FOR FIXTURE TYPE & REQUIREMENTS
- SEE SHT. A103 FOR DECOR PACKAGE & GRAPHIC WALL COVERING LOCATIONS
- SEE PLUMBING DRAWINGS FOR PLUMBING FIXTURE SPECIFICATIONS
- ALL PLUMBING FIXTURES ARE PROVIDED BY G.C. U.N.O.
- ALL PLUMBING FIXTURES, FAUCETS & ACCESSORIES TO BE ADA COMPLIANT
- ALL EXPOSED PIPING UNDER LAVATORIES TO BE INSULATED TO PROTECT CONTACT; THERE SHALL BE NO SHARP OR ABRASIVE SURFACES UNDER LAVATORIES
- G.C. TO PROVIDE PLYWOOD SHEET BLOCKING AT FULL HEIGHT PARTITIONS FOR ALL WALL MOUNTED EQUIPMENT & FIXTURES, DECOR & ACCESSORIES, U.N.O.; G.C. TO COORDINATE W/ VENDORS & SUPPLIERS, CUT SHEETS & INSTALLATION RECOMMENDATIONS PRIOR TO CONSTRUCTION OF WALL FINISH PLYWOOD TO EXTEND FROM 2'-0" A.F.F. TO 6" ABOVE CEILING

TOILET ACCESSORIES

SYMBOL	DESCRIPTION
(AT)	TRASH CAN (NOT SHOWN ON PLAN FOR CLARITY); RUBBERMAD (DC), SLIM JIM GRAY, 12x30 W/ SWING TOP
(BT)	PAPER TOWEL DISPENSER
(AT)	WALL MOUNTED SOAP DISPENSER (36" MAXIMUM HEIGHT)
(MT)	MIRROR (BOTTOM OF REFLECTIVE SURFACE AT 40" MAXIMUM HEIGHT) STAINLESS STEEL CHANNEL FRAME MIRROR W/ THEFT RESISTANT SCREWS; BOBRICK, #B-16S-1830
(BT)	TOILET PAPER HOLDER
(BT)	SANITARY NAPKIN DISPOSAL
(AT)	36" x 1-1/4" x 1-1/2" STAINLESS STEEL GRAB BAR, #B-6806 (SURFACE MOUNTED); MOUNTED 1'-1" FROM FINISHED WALL & 34-1/2" A.F.F. TO CENTERLINE; SEE INTERIOR ELEVATIONS
(BT)	4" x 1-1/2" x 1-1/2" STAINLESS STEEL GRAB BAR, #B-6806 (SURFACE MOUNTED); MOUNTED 1'-1/2" FROM FINISHED WALL & 34-1/2" A.F.F. TO CENTERLINE; SEE INTERIOR ELEVATIONS
(AT)	KOALA VERTICAL STATION MODEL #K8101-00, SEE 15/A402
(AT)	* SUPPLIED BY EQUIP. VENDOR, INSTALLED BY G.C.
(AT)	COAT HOOK, TO BE MOUNTED ON INSIDE OF EACH RESTROOM STALL DOOR @ 48" A.F.F. MAX.; BOBRICK #B-6717
(PT)	SOLID PHENOLIC PARTITIONS ACCEPTABLE MANUFACTURERS AND MODELS: A. GENERAL PARTITIONS MANUFACTURING CORPORATION-SERIES 30 (FLOOR SUPPORTED) B. "BOBRICK" DURALINE SERIES-1081 (FLOOR SUPPORTED) C. MANUFACTURERS OF EQUIVALENT PRODUCTS SUBMITTED AND APPROVED BY OWNER. COLOR: ALMOND



JOB NO. L1908

NORWOOD ARCHITECTS
807 I. O. R. I. S. S. I. N. W.
ATLANTA, GEORGIA 30338
PH: 678-921-0302 FAX: 678-921-0301 www.norwoodarchitects.com

HUDDLE HOUSE
EVO 2000 RESTAURANT
15477 HWY 43 RUSSELLVILLE, AL
FRANKLIN CO. 35653

NO. ISSUE DATE
PERMIT SET
07/05/2019

DRAWING NUMBER
ENLRGD RESTRM PLAN, ELEVS, & MISC. DETAILS
A402

www.LDOnline.com

Order Plans