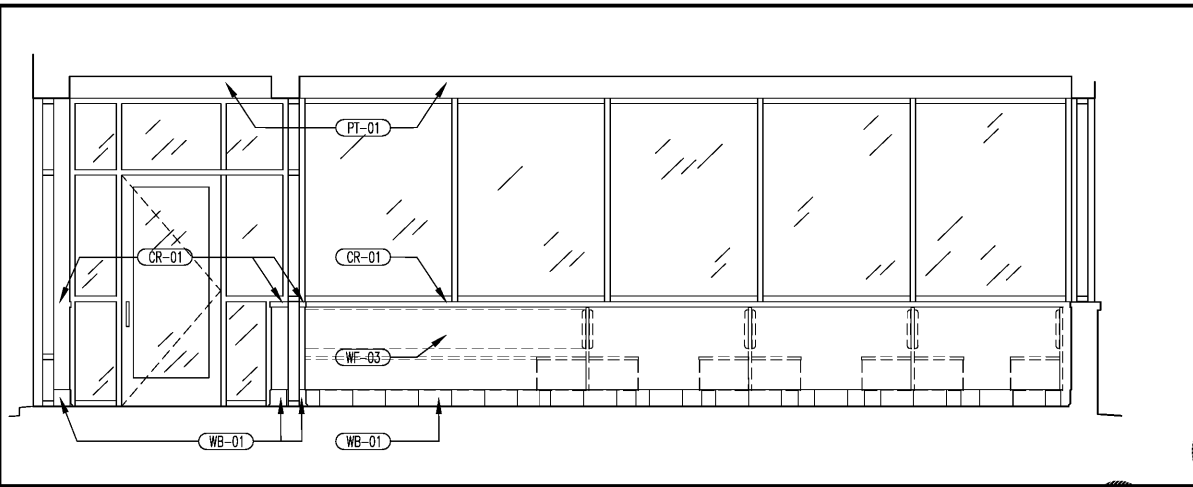
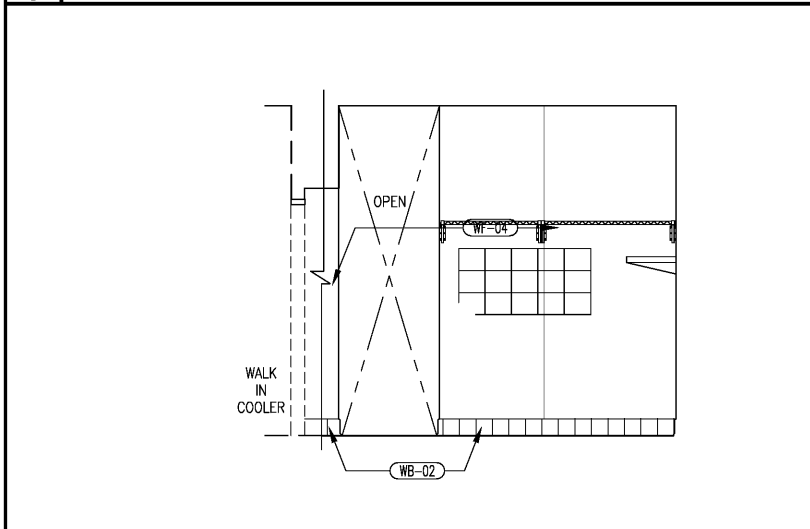


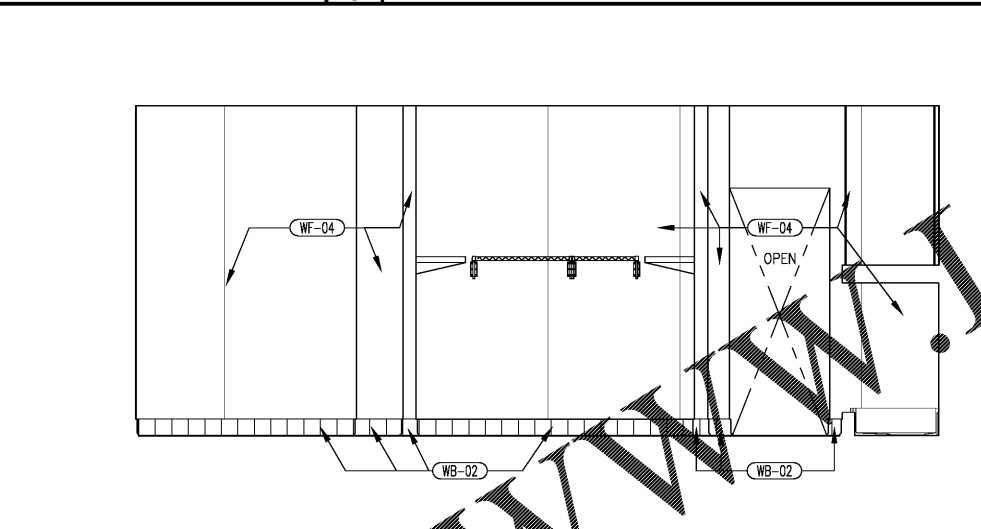
2 ENTRY / DINING CHECK OUT  
SCALE: 3/8"=1'-0"  
SEE 2/703 FOR FOOD SERVICE EQUIPMENT ELEVATION



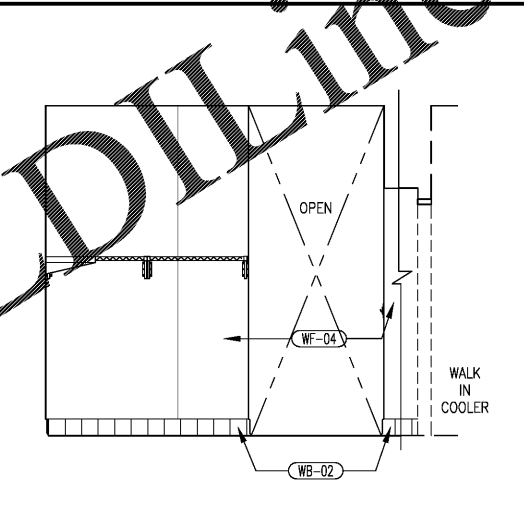
1 ENTRY / DINING VIEW WALL  
SCALE: 3/8"=1'-0"  
SEE 1/703 FOR FOOD SERVICE EQUIPMENT ELEVATION



5 PREP WALL  
SCALE: 3/8"=1'-0"  
SEE 5/703 FOR FOOD SERVICE EQUIPMENT ELEVATION

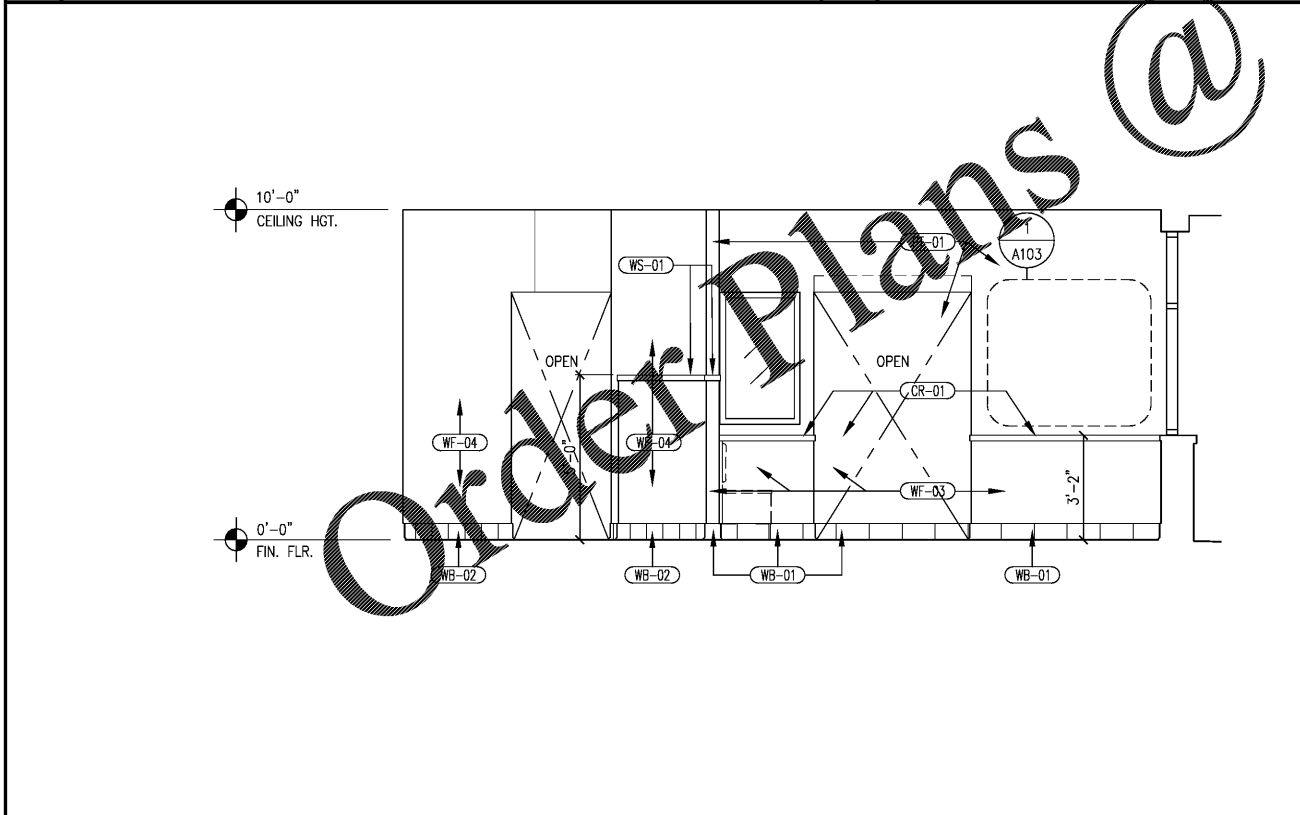


4 PREP TOWARD KITCHEN  
SCALE: 3/8"=1'-0"  
SEE 4/703 FOR FOOD SERVICE EQUIPMENT ELEVATION

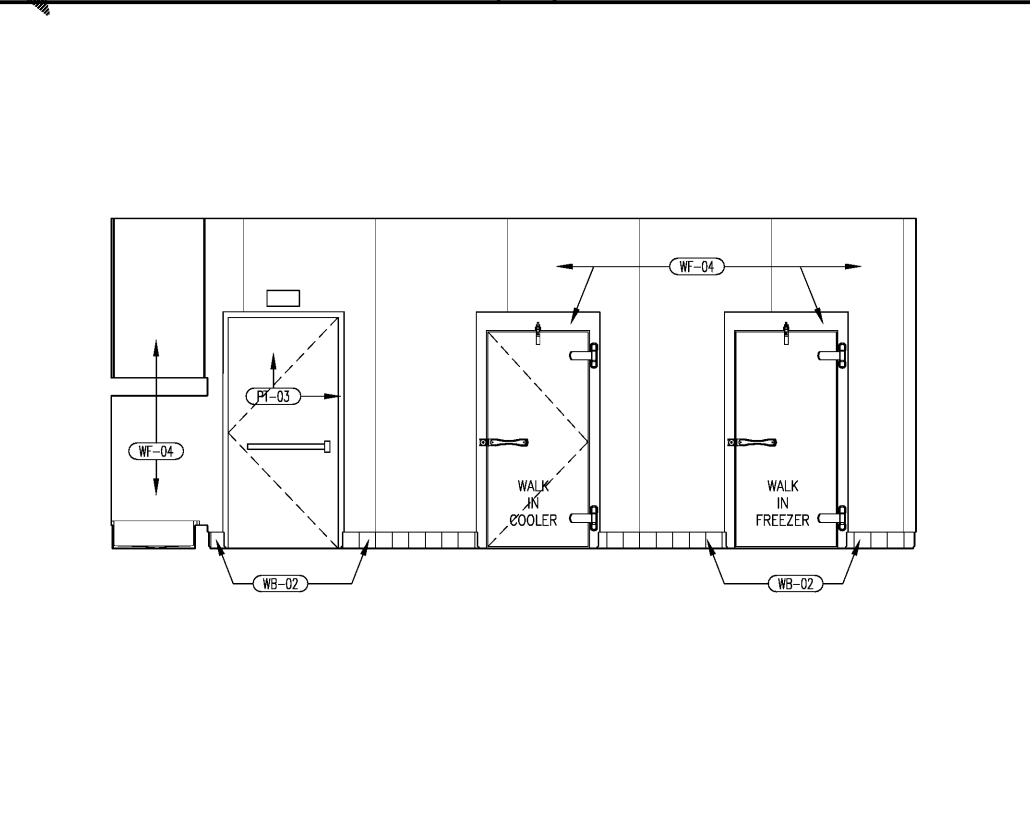


3 PREP WALL  
SCALE: 3/8"=1'-0"  
SEE 3/703 FOR FOOD SERVICE EQUIPMENT ELEVATION

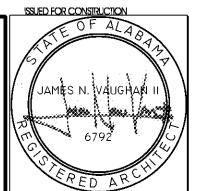
INTERIOR FINISH LEGEND  
SEE SHEET A003



7 REAR KITCHEN & DINING  
SCALE: 3/8"=1'-0"  
SEE 7/703 FOR FOOD SERVICE EQUIPMENT ELEVATION



6 PREP TOWARD WALK INS  
SCALE: 3/8"=1'-0"  
SEE 6/703 FOR FOOD SERVICE EQUIPMENT ELEVATION



JOB NO. L1908

NORWOOD ARCHITECTS  
807 FOREST ST. N.W.  
ATLANTA, GEORGIA 30318  
PH. 678-921-0302 FAX. 678-921-0301 WWW.NORWOODARCHITECT.COM

HUDDLE HOUSE  
EVO 2000 RESTAURANT  
15477 HWY 43 RUSSELLVILLE, AL  
FRANKLIN CO. 35653

NO.	ISSUE DATE
	PERMIT SET 07/05/2019

DRAWING NUMBER  
INT. FINISH  
ELEVATIONS

A401

ISSUED FOR CONSTRUCTION