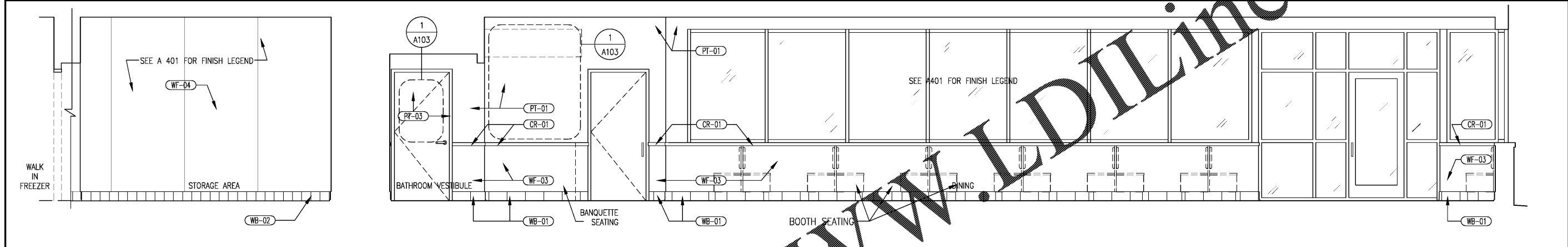
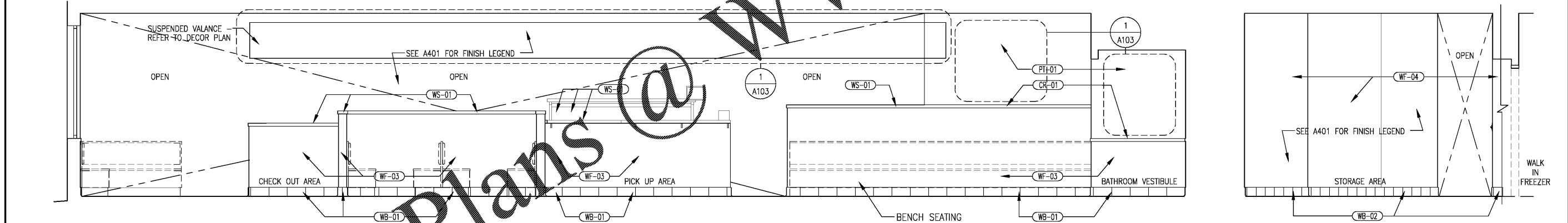


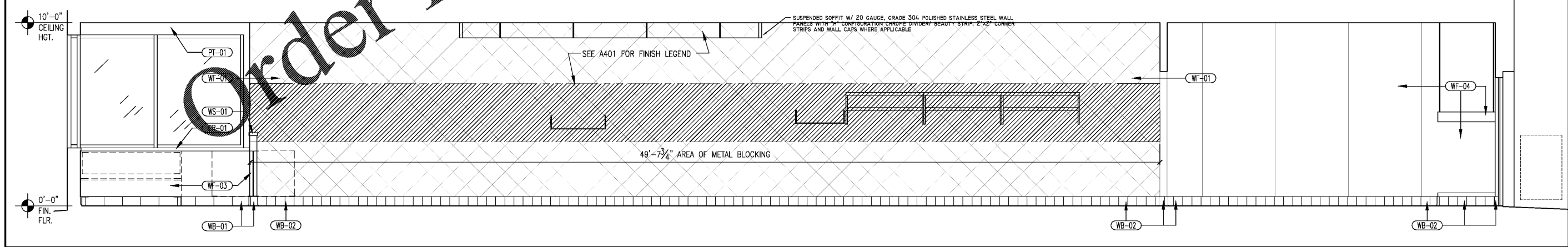
1 COOK LINE FRONT WALL
 SCALE: 3/8"=1'-0"
 SEE 1/702 FOR FOOD SERVICE EQUIPMENT ELEVATION



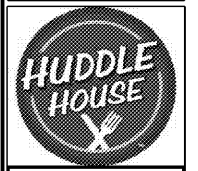
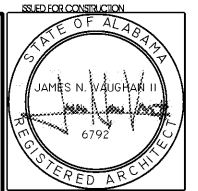
2 DINING FRONT WALL
 SCALE: 3/8"=1'-0"
 SEE 2/702 FOR FOOD SERVICE EQUIPMENT ELEVATION



3 DINING KITCHEN SIDE WALL
 SCALE: 3/8"=1'-0"
 SEE 3/702 FOR FOOD SERVICE EQUIPMENT ELEVATION



4 COOK LINE REAR WALL
 SCALE: 3/8"=1'-0"
 SEE 4/702 FOR FOOD SERVICE EQUIPMENT ELEVATION



JOB NO. L1908

NORWOOD ARCHITECTS
 807 FORREST ST. N.W.
 ATLANTA, GEORGIA 30318
 PH. 678-921-0802 FAX. 678-921-0301 WWW.NORWOODARCHITECTS.COM

HUDDLE HOUSE
 EVO 2000 RESTAURANT
 15477 HWY 43 RUSSELLVILLE, AL
 FRANKLIN CO. 35653

NO.	ISSUE DATE
1	PERMIT SET 07/05/2019

DRAWING NUMBER
 INT. FINISH
 ELEVATIONS

A400

Order plans @ www.LDOnline.com