

JOB NO. L1908

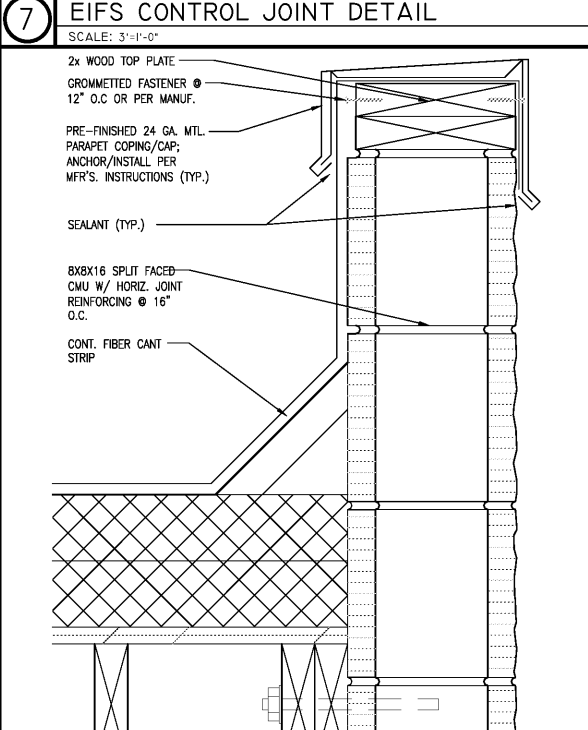
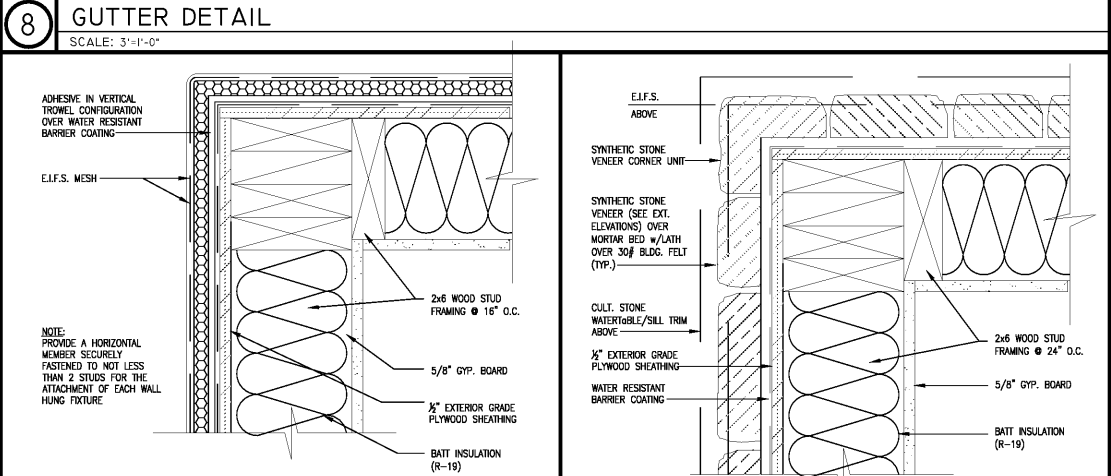
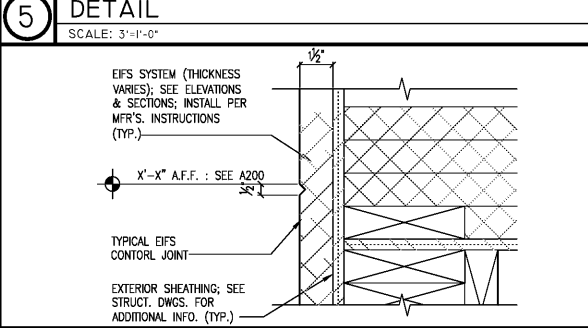
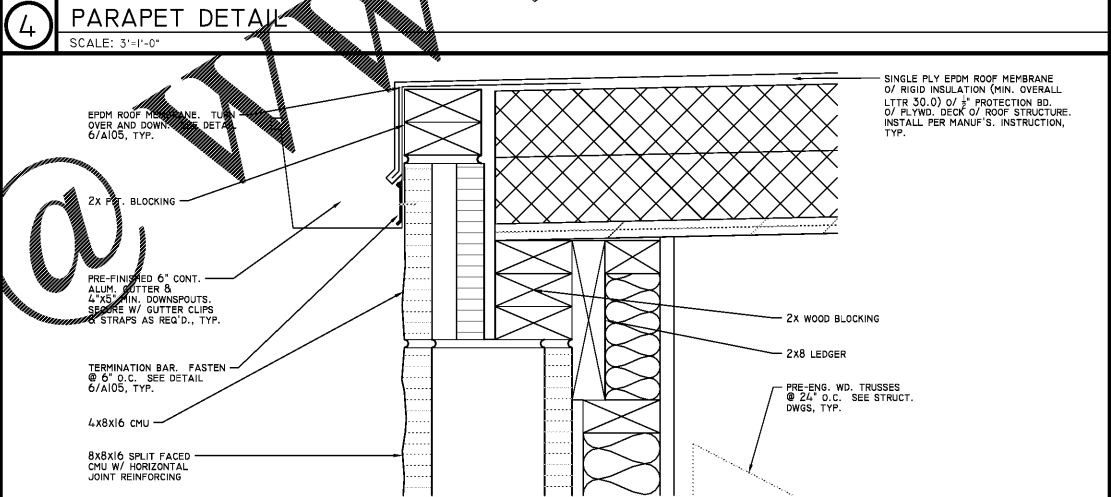
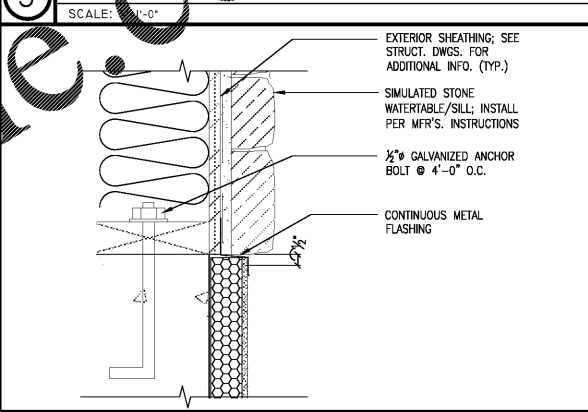
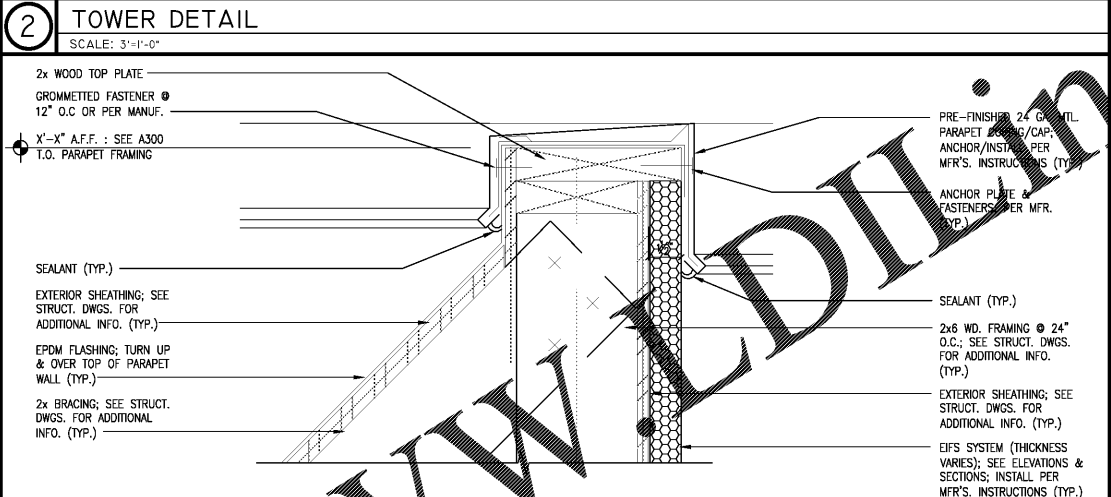
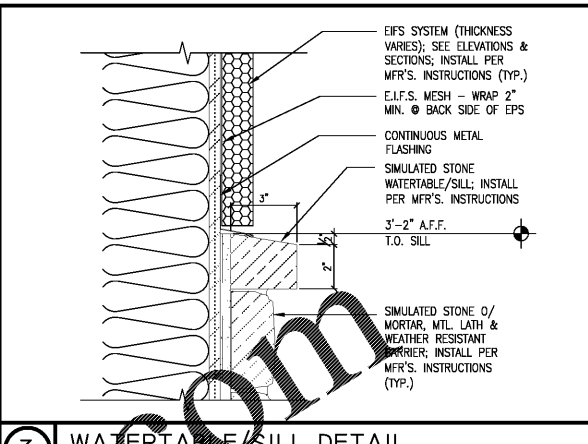
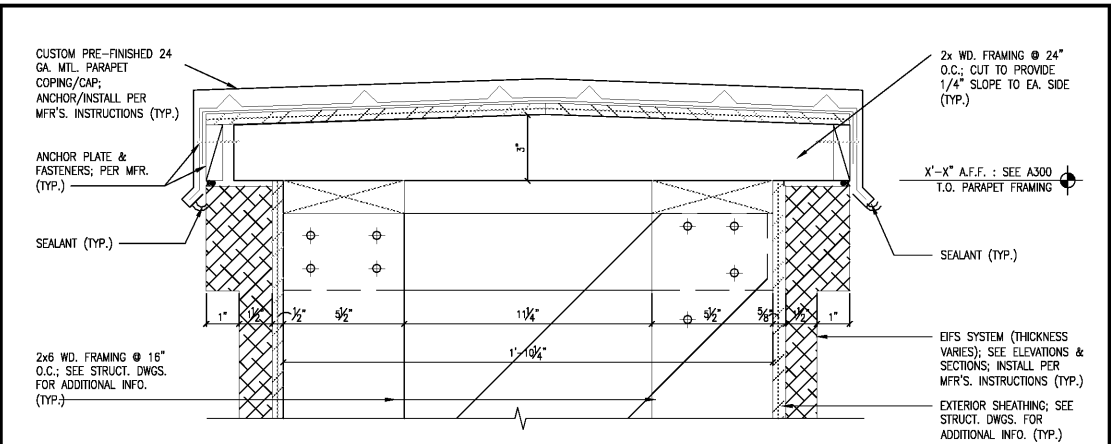
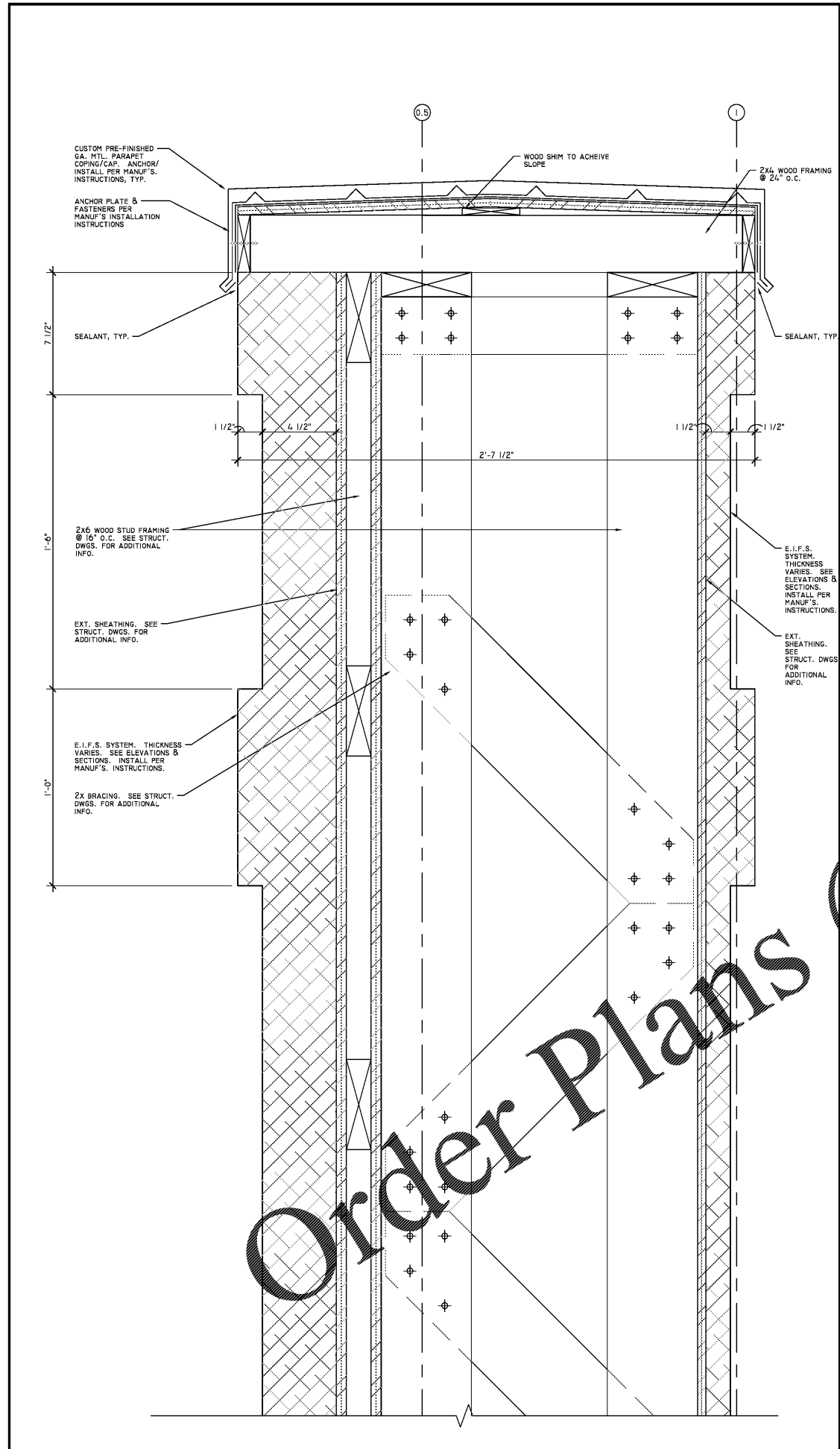
NORWOOD ARCHITECTS
807 FORREST ST. N.W.
ATLANTA, GEORGIA 30318
PH: 678-921-0302 FAX: 678-921-0301 WWW.NORWOODARCHITECTS.COM

HUDDLE HOUSE
EVO 2000 RESTAURANT
15477 HWY 43 RUSSELLVILLE, AL
FRANKLIN CO. 35653

NO. ISSUE DATE
PERMIT SET
07/05/2019

DRAWING NUMBER
EXTR DETAILS

A304
ISSUED FOR CONSTRUCTION



1 TOWER DETAIL
SCALE: 3/4"=1'-0"

6 CORNER DETAIL
SCALE: 3/4"=1'-0"

10 CORNER DETAIL
SCALE: 3/4"=1'-0"

9 CMU PARAPET DETAIL
SCALE: 3/4"=1'-0"

Order Plans @ WWW.WLDIHOME.COM