



JOB NO. L1908

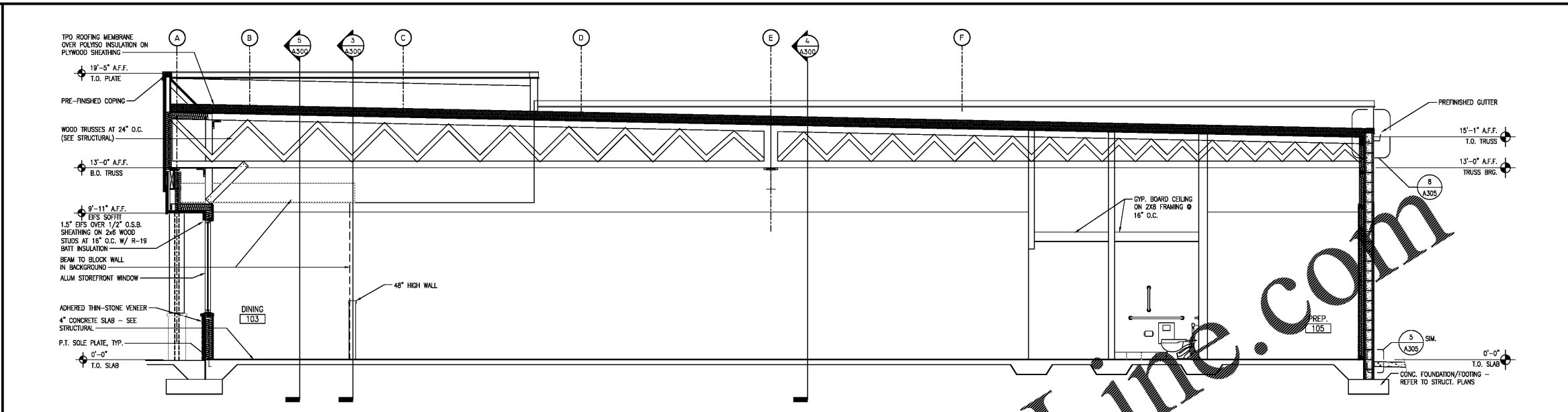
NORWOOD ARCHITECTS
 807 FORT GEORGIA BLVD. N.W.
 ATLANTA, GEORGIA 30318
 PH: 478-921-0302 FAX: 478-921-0301 WWW.NORWOODARCHITECTS.COM

HUDDLE HOUSE
 EVO 2000 RESTAURANT
 15477 HWY 43 RUSSELLVILLE, AL
 FRANKLIN CO. 35653

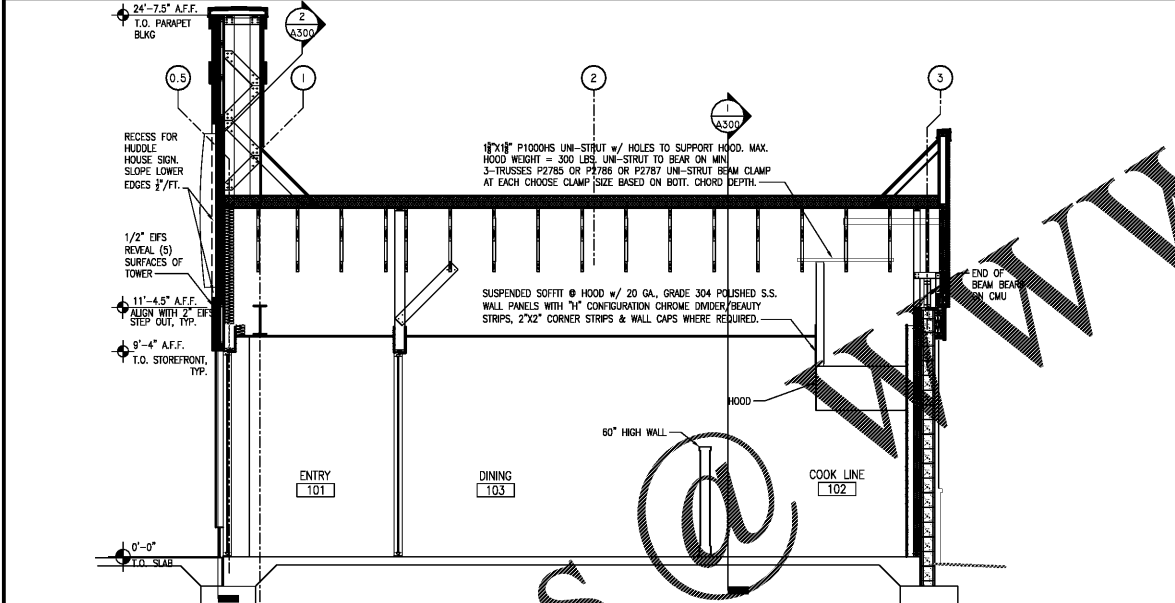
NO. ISSUE DATE
 PERMIT SET
 07/05/2019

DRAWING NUMBER
BUILDING SECTIONS

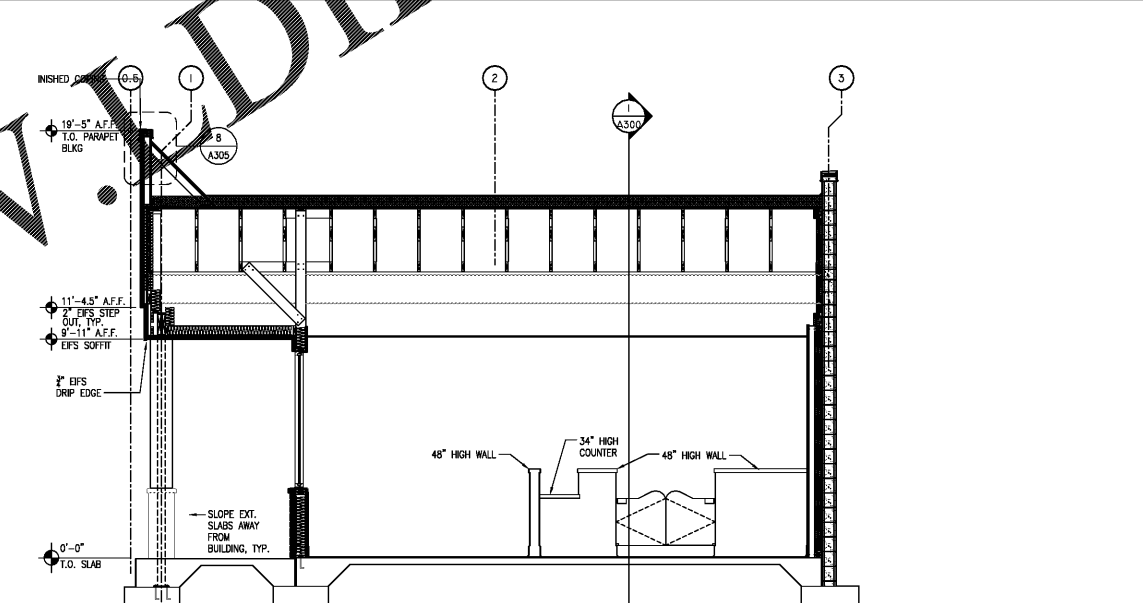
A300



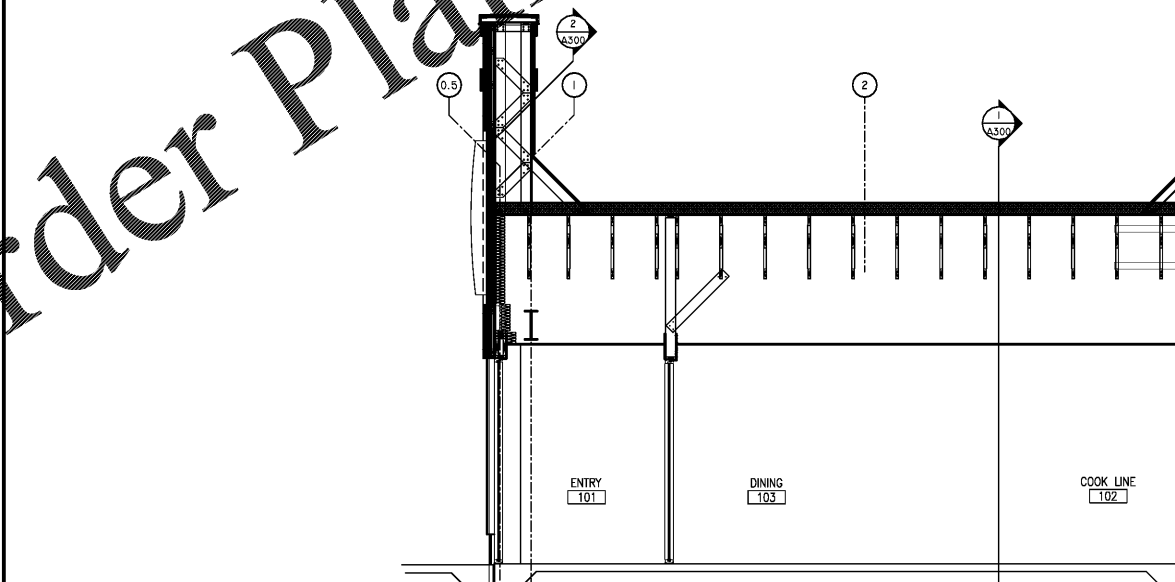
1 BUILDING SECTION
 SCALE: 1/4"=1'-0"



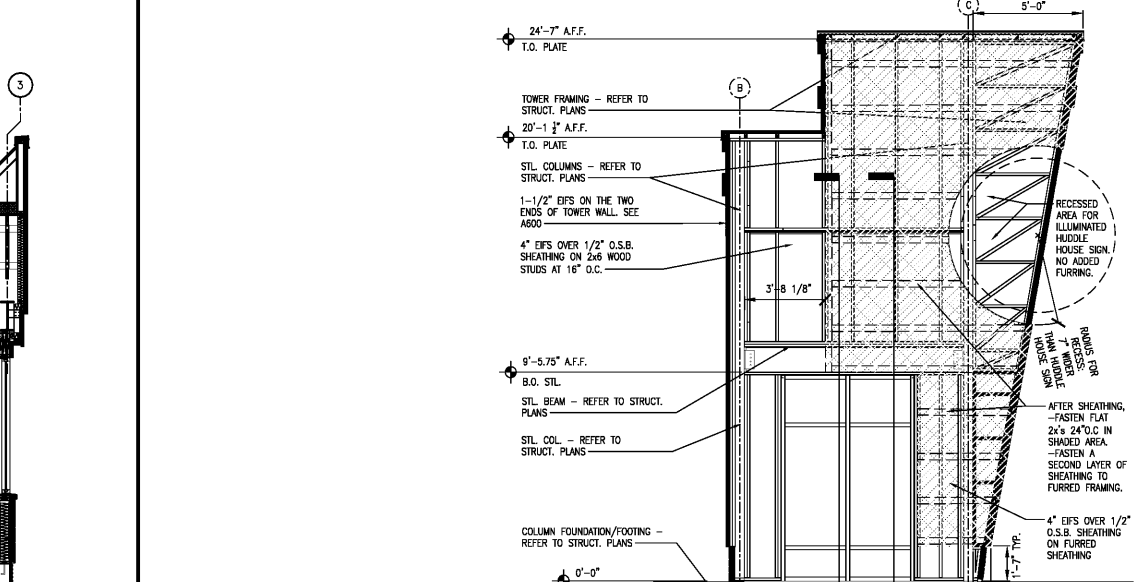
3 BUILDING SECTION
 SCALE: 1/4"=1'-0"



4 BUILDING SECTION
 SCALE: 1/4"=1'-0"



5 BUILDING SECTION
 SCALE: 1/4"=1'-0"



2 PARTIAL BLDG. SECT.
 SCALE: 1/4"=1'-0"

Order Plans @ www.dlline.com