

JOB NO. LI908

NORWOOD ARCHITECTS  
807 Forester Ln  
Ocala, Georgia 32318  
ph. 678-921-0302 fax. 678-921-0301 www.norwoodarchitects.com

HUDDLE HOUSE  
EVO 2000 RESTAURANT  
15477 HWY 43 RUSSELLVILLE, AL  
FRANKLIN CO. 35653

NO.	ISSUE DATE
	PERMIT SET 07/05/2019

DRAWING NUMBER

A103

TAG	DESCRIPTION	QTY.
GXD1	SEE DECOR PACKAGE FROM CORPORATE	
GXD2	SEE DECOR PACKAGE FROM CORPORATE	
GXD3	SEE DECOR PACKAGE FROM CORPORATE	
GXD4	SEE DECOR PACKAGE FROM CORPORATE	
GXD5	SEE DECOR PACKAGE FROM CORPORATE	
GXD6	SEE DECOR PACKAGE FROM CORPORATE	
GXD7	SEE DECOR PACKAGE FROM CORPORATE	
GXD8	SEE DECOR PACKAGE FROM CORPORATE	
GXD9	SEE DECOR PACKAGE FROM CORPORATE	
GXD10	SEE DECOR PACKAGE FROM CORPORATE	
GXD11	SEE DECOR PACKAGE FROM CORPORATE	
GXD12	SEE DECOR PACKAGE FROM CORPORATE	
GXD13	SEE DECOR PACKAGE FROM CORPORATE	
GXD14	SEE DECOR PACKAGE FROM CORPORATE	
GXD15	SEE DECOR PACKAGE FROM CORPORATE	

**GENERAL NOTES**

- LOCATION OF GRAPHICS & DECOR SHOWN ARE APPROXIMATE; SECURELY ANCHOR TO WALL FRAMING OR PROVIDE ADEQUATE BLOCKING IN WALL; CONFIRM BLOCKING REQUIREMENTS W/ VENDOR PRIOR TO INSTALLATION
- G.C. TO PROVIDE PLYWD. SHEET BLOCKING AT FULL HEIGHT PARTITIONS FOR ALL WALL MOUNTED EQUIPMENT & FIXTURES; DECOR & ACCESSORIES (U.N.O.); G.C. TO COORD. INSTALLATION REQUIREMENTS W/ VENDORS & SUPPLIERS PRIOR TO CONSTRUCTION OF WALL FINISH; PLYWD. TO EXTEND FROM 2'-0" A.F.F. TO 6" ABOVE CEILING
- WHERE GRAPHICS/WALLPAPER ARE INDICATED, PROVIDE A LEVEL 5 GYP. BD. FINISH ON WALLS ABOVE WAINSCOT PRIOR TO APPLYING WALL GRAPHIC

**KEY NOTES**

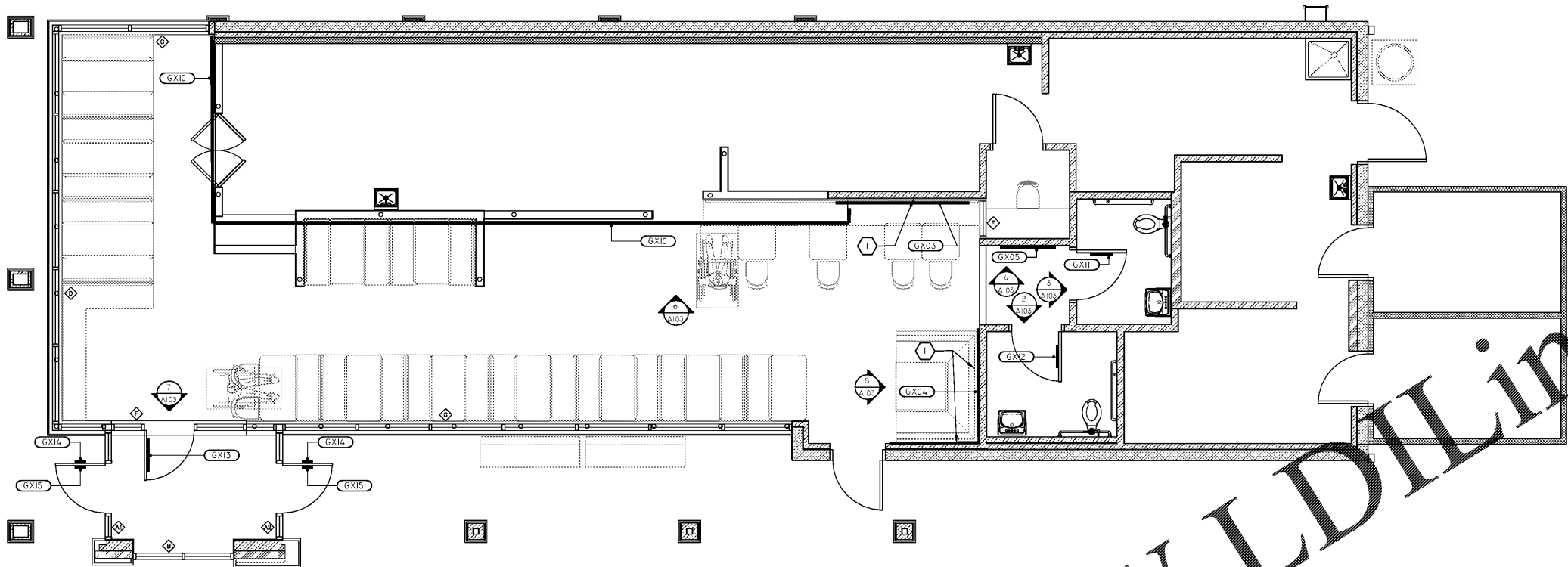
DESCRIPTION

1 LEVEL 5 GYP. BD. FINISH ON WALLS ABOVE WAINSCOT PRIOR TO APPLYING WALL GRAPHIC

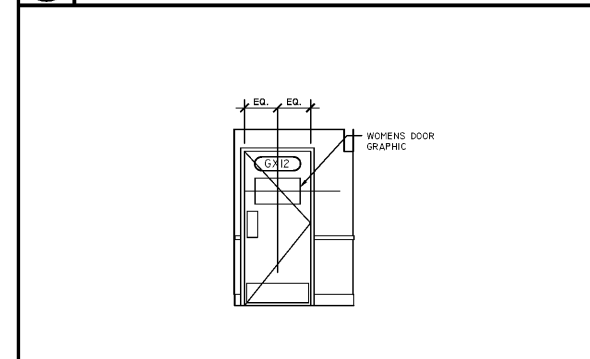
**LEGEND**

GX## GRAPHIC/DECOR

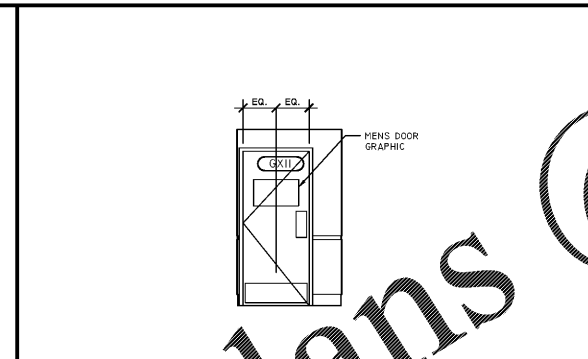
X KEY NOTES



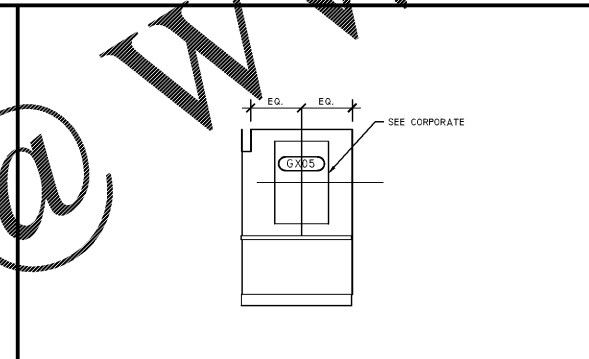
1 GRAPHICS/DECOR PLAN  
SCALE: 1/4"=1'-0"



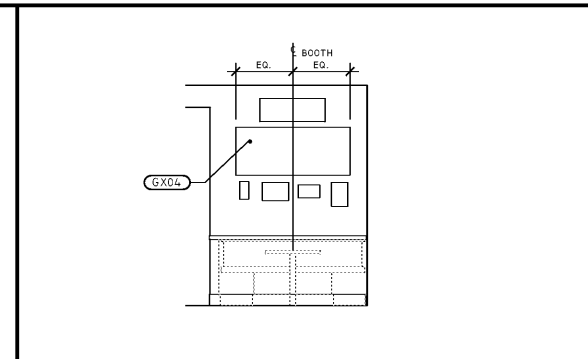
2 INTERIOR DECOR ELEVATION  
SCALE: 1/4"=1'-0"



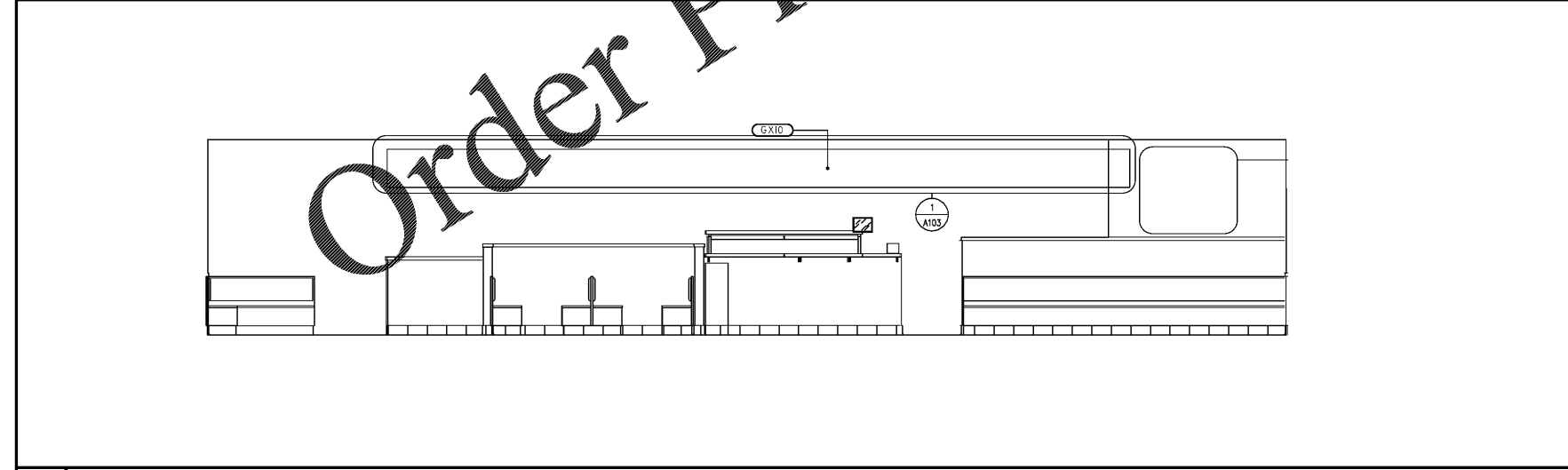
3 INTERIOR DECOR ELEVATION  
SCALE: 1/4"=1'-0"



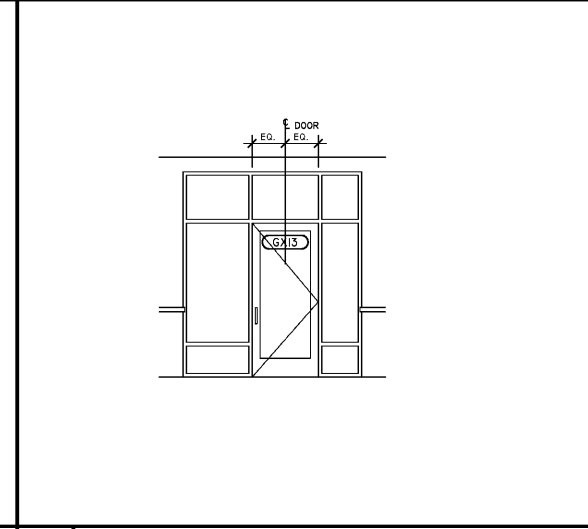
4 INTERIOR DECOR ELEVATION  
SCALE: 1/4"=1'-0"



4 INTERIOR DECOR ELEVATION  
SCALE: 1/4"=1'-0"



5 INTERIOR DECOR ELEVATION  
SCALE: 1/4"=1'-0"



6 INTERIOR DECOR ELEVATION  
SCALE: 1/4"=1'-0"

GRAPHICS AND DECOR PLAN