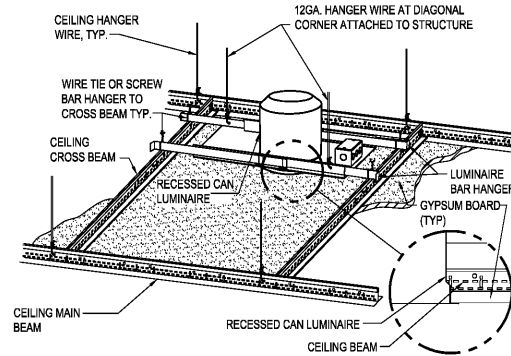


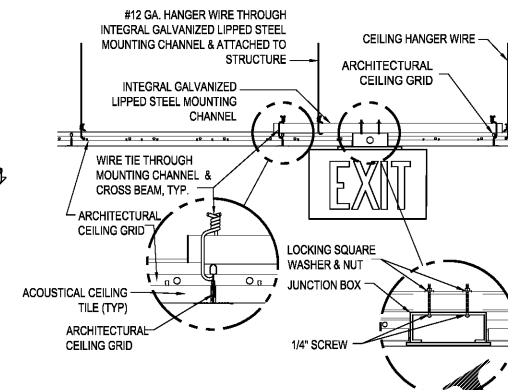
NOTES:

- A. EACH CONDUCTOR IN BOX SHALL BE OF SUFFICIENT LENGTH FOR MAKING UP SPLICES.
- B. DO NOT INSTALL WIRES IN BACK OF DEVICE. LOOP AROUND TERMINAL SCREWS.
- C. FACE OF PLASTER RING (WHERE UTILIZED) SHALL BE FLUSH WITH WALL.
- D. FRONT OF DEVICE SHALL BE WITHIN 1/8" OF FINISHED WALL.

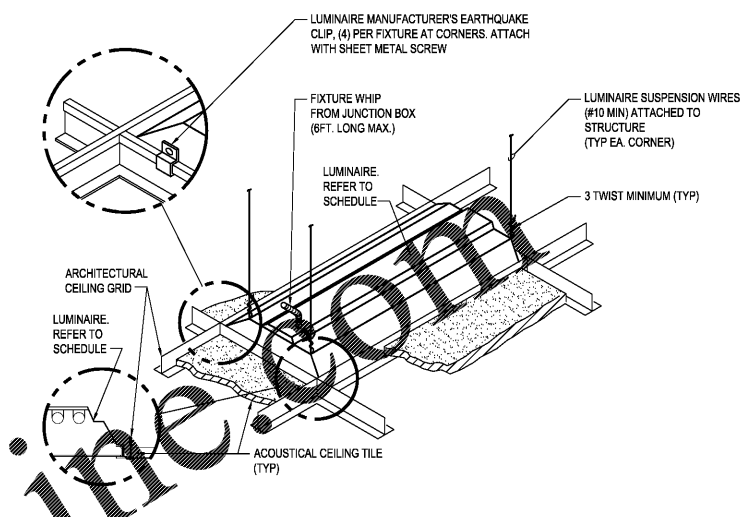
RECEPTACLE WIRING DETAIL
SCALE: NONE



DOWNLIGHT MOUNTING - GYPBOARD CEILING
SCALE: NONE

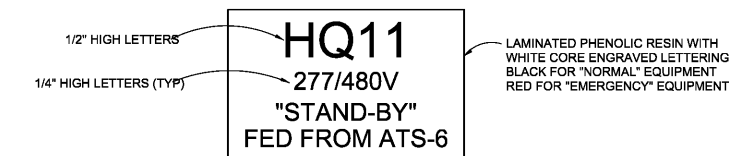


EXIT LIGHT MOUNTING - LAY-IN CEILING
SCALE: NONE



LUMINAIRE MOUNTING - LAY-IN CEILING
SCALE: NONE

PANEL DEFINITIONS			
VOLTAGE	POWER SYSTEM	LEVEL	PANEL #
H = 277/480	N = NORMAL	CP = CENTRAL PLANT	1 = ONE
L = 120/208	E = LIFE SAFETY	1 = FIRST	2 = TWO
X = TRANSFORMER	C = CRITICAL	2 = SECOND	3 = THREE
		3 = THIRD	4 = FOUR
Q = EQUIPMENT		4 = FOURTH	5 = FIVE
		5 = FIFTH	6 = SIX
		6 = SIXTH	ETC.



TYPICAL EQUIPMENT IDENTIFICATION NAMEPLATE
SCALE: NONE

Order Plans @ www.LDILine.com

Revisions:	Date:

CONSULTANT

CLARKNEXSEN

440 Martin Luther King Jr. Blvd
Macon, GA 31201
478.743.8415 Fax: 478.743.8239
www.clarknexsen.com

ARCHITECT/ENGINEER OF RECORD

TOLAND MIZELL MOLNAR

590 MEANS STREET NW
STE. 200
ATLANTA, GA 30318

STAMP

GEORGIA REGISTERED PROFESSIONAL ENGINEER
NO. 043850
MATTHEW SAMSON

Office of Construction and Facilities Management

VA U.S. Department of Veterans Affairs

Drawing Title
ELECTRICAL DETAILS

Approved: Project Director

Phase
FINAL SUBMITTAL

FULLY SPRINKLERED

Project Title
RENOVATE GERIATRIC-MED-PSYCH INPATIENT 5TH FLOOR

Location
Atlanta VA Medical Center - Atlanta, Ga.

Issue Date
06-07-2019

Checked
PEW

Drawn
TWG

Project Number
508-17-101

Building Number
Bldg C: Main Tower

Drawing Number
E501

I:\PROJECTS\2008\240-11M.VA.ATLANTA.RENOVATE.GERIATRIC.MED.PSYCH\508-17-101\501.DWG