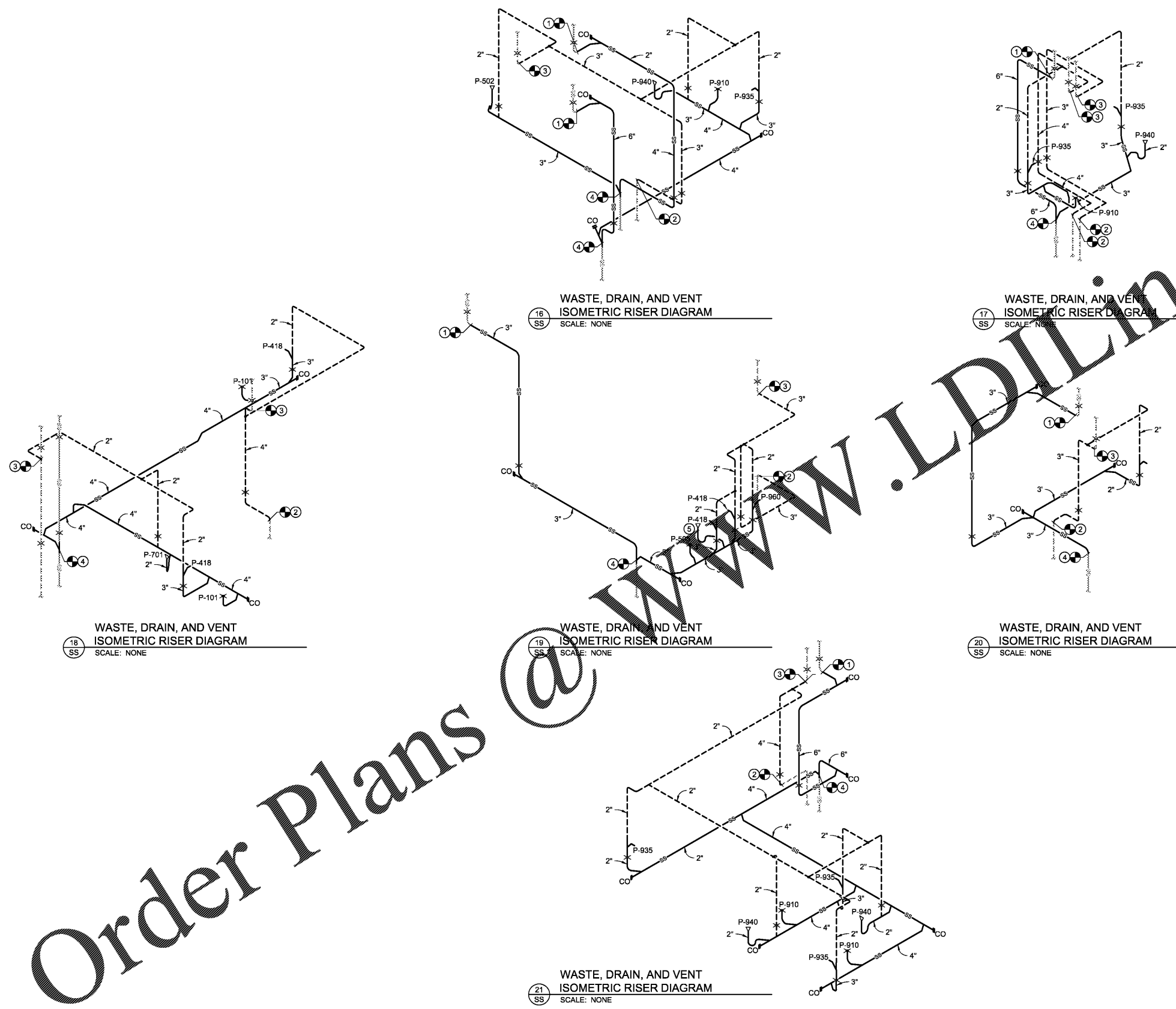


GENERAL NOTES

- A. COORDINATE PIPE ROUTING WITH DUCT ROUTING, EQUIPMENT LOCATIONS, ELECTRICAL INSTALLATIONS, AND BUILDING STRUCTURAL MEMBERS. OFFSET PIPING WHERE REQUIRED TO AVOID CONFLICTS. AVOID PENETRATING ANY MAIN STRUCTURAL BEAM. NOTIFY COR AND ARCHITECT OF ANY CONFLICTS.
- B. CONTRACTOR SHALL REMOVE AND REPAIR PORTIONS OF FLOORS, CEILINGS AND/OR SLABS AFFECTED BY PLUMBING MODIFICATIONS. REPAIR SURFACES TO MATCH EXISTING UNLESS NOTED OTHERWISE ON ARCHITECTURAL DRAWINGS.
- C. CONTRACTOR SHALL INSPECT AND ROD OUT EXISTING SANITARY WASTE AND/OR SEWER PIPING BEFORE MAKING ANY NEW CONNECTIONS. CONTRACTOR SHALL NOTIFY OWNER AND COR OF ALL SANITARY SEWER WHICH IS NOT SCHEDULED AND REQUIRE REPLACEMENT.
- D. PRIOR TO PERFORMING ANY PLUMBING WORK OR PURCHASING ANY MATERIALS, VERIFY EXACT LOCATION, FINISHING, AND PIPE SIZES, ETC. OF ALL EXISTING SANITARY SEWER, VENT, AND STORM DRAINAGE PIPING.
- E. PROVIDE CLEANOUT(S) AS REQUIRED BY INTERNATIONAL PLUMBING CODE, LOCAL CODE, AND/OR WHERE HORIZONTAL SANITARY SEWER PIPING CHANGES DIRECTION OVER 45°.
- F. NEW 2" SANITARY SEWER PIPING SHALL BE SLOPED A MINIMUM TWO PERCENT, ONE-QUARTER INCH PER FOOT. NEW 3" AND 4" SANITARY SEWER PIPING SHALL BE SLOPED A MINIMUM ONE PERCENT, ONE-EIGHTH INCH PER FOOT.
- G. ALL HORIZONTAL STORM DRAINAGE PIPING SHALL BE INSULATED.
- H. SEE ARCHITECTURAL PLANS FOR WALL RATINGS.

KEY NOTES

- 1. CONNECT NEW SANITARY SEWER PIPING TO EXISTING SANITARY SEWER PIPING ABOVE 5TH FLOOR CEILING AT APPROXIMATE LOCATION INDICATED.
- 2. CONNECT NEW VENT PIPING TO EXISTING VENT PIPING ABOVE 4TH FLOOR CEILING AT APPROXIMATE LOCATION INDICATED.
- 3. CONNECT NEW VENT PIPING TO EXISTING VENT PIPING ABOVE 5TH FLOOR CEILING AT APPROXIMATE LOCATION INDICATED.
- 4. CONNECT NEW SANITARY SEWER PIPING TO EXISTING SANITARY SEWER PIPING ABOVE 4TH FLOOR CEILING AT APPROXIMATE LOCATION INDICATED.
- 5. PROVIDE AND INSTALL 3" FLOOR DRAIN TYPE CD WITH TRAP PRIMER CONNECTION AND CHEMICALLY RESISTANT ELASTOMER FLOOR DRAIN TRAP SEAL PROTECTION DEVICE.



18 SS WASTE, DRAIN, AND VENT ISOMETRIC RISER DIAGRAM SCALE: NONE

16 SS WASTE, DRAIN, AND VENT ISOMETRIC RISER DIAGRAM SCALE: NONE

17 SS WASTE, DRAIN, AND VENT ISOMETRIC RISER DIAGRAM SCALE: NONE

19 SS WASTE, DRAIN, AND VENT ISOMETRIC RISER DIAGRAM SCALE: NONE

20 SS WASTE, DRAIN, AND VENT ISOMETRIC RISER DIAGRAM SCALE: NONE

21 SS WASTE, DRAIN, AND VENT ISOMETRIC RISER DIAGRAM SCALE: NONE

Order Plans @

Revisions:	Date:

CONSULTANT

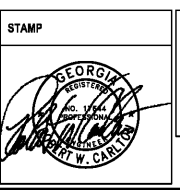
CLARKNEXSEN

440 Martin Luther King Jr. Blvd
Macon, GA 31201
478.743.8415 Fax: 478.743.8239
www.clarknexsen.com

ARCHITECT/ENGINEER OF RECORD

TOLAND MIZELL MOLNAR

590 MEANS STREET NW
STE. 200
ATLANTA, GA 30318



Office of Construction and Facilities Management

VA U.S. Department of Veterans Affairs

Drawing Title
WASTE, DRAIN, AND VENT ISOMETRIC RISER DIAGRAMS

Approved: Project Director

Phase
FINAL SUBMITTAL

FULLY SPRINKLERED

Project Title
RENOVATE GERIATRIC-MED-PSYCH INPATIENT 5TH FLOOR

Location
Atlanta VA Medical Center - Atlanta, Ga.

Issue Date
06-07-2019

Checked
GTK

Drawn
DLB

Project Number
508-17-101

Building Number
Bldg C: Main Tower

Drawing Number
PL203

PROJECTS/2020/240-11M.VA.ATLANTA.RENOVATE.GERIATRIC.MED.PSYCH/PL203.DWG